

### ***Reliable access controller for your building***

The Akuvox A092S is a 2 door access controller with Ethernet interface. It supports 50,000 users and various functions that enable you to control who comes into your building. And the backup battery and tamper proof design makes that more secure and reliable.

### ***At a Glance***

- Stylish appearance;
- Supports TCP/IP communication and web interface for management;
- Supports up to 50,000 cards and 100,000 card presenting records;
- Supports multi-door interlock function and anti-pass back function;
- Supports RS-485, OSDP, Wiegand protocol for accessing card readers;
- Support emergency door release(EDR);
- Support tamper proof alarm;
- Easy to establish large-scale access control system with Akuvox ACMS;
- Back up battery design;

### **Physical & Power**

- Front panel: SGCC
- RAM / ROM: 64MB / 128MB
- Power input: 100~240VAC 50/60Hz
- Wiegand port: 4
- Relays out: 2
- Input: 5
- RS485 port: 3
- Ethernet port: RJ45, 10/100 Mbps, adaptive
- Status lights: Support
- Tamper proof alarm: Support
- Power output: 12V 800mA per door for locks/strikes, readers, and input devices
- Backup battery: Support
- Installation: Wall-mounted
- Dimension: 365 x 340 x 85 (mm)
- Working Humidity: 10%~90%
- Working Temperature: -20°C ~ +55°C
- Storage Temperature: -40°C ~ +70°C

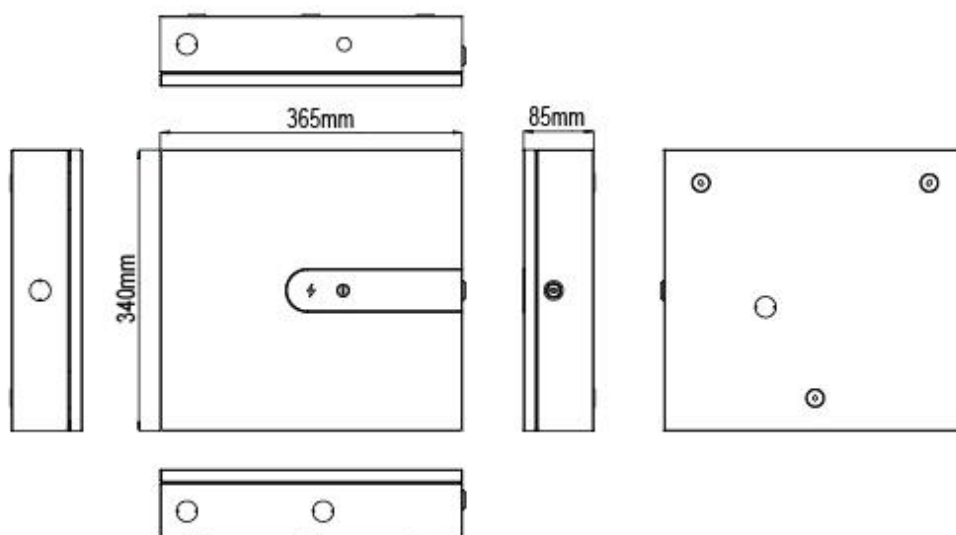
## Door Entry Feature

- 50,000 card storage
- Anti-pass back function
- Multi-door interlock function
- Access table export/import
- Access level management
- Door access logs query and export

## Card Readers

- Support Wiegand 26/34 readers
- Support OSDP readers
- Support RS485 readers

## Dimension



## Networking

- Protocols support: IPv4, HTTP, HTTPS, FTP, TFTP, SNMP, DNS, SNTP, TCP, UDP, TLS, ICMP, DHCP, ARP

## Deployment & Maintenance

- Auto-Provisioning
- Web management portal
- Web-based packet dump
- Configuration backup / restore
- Firmware upgrade
- System logs