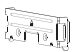












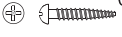



## Unpacking




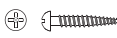

Before using the device, check the device model and ensure that the shipped box includes the following items:

 1x	 3x	 2x	 4x
 3x	 1x	 1x	 1x
 1x	 1x	 2x	

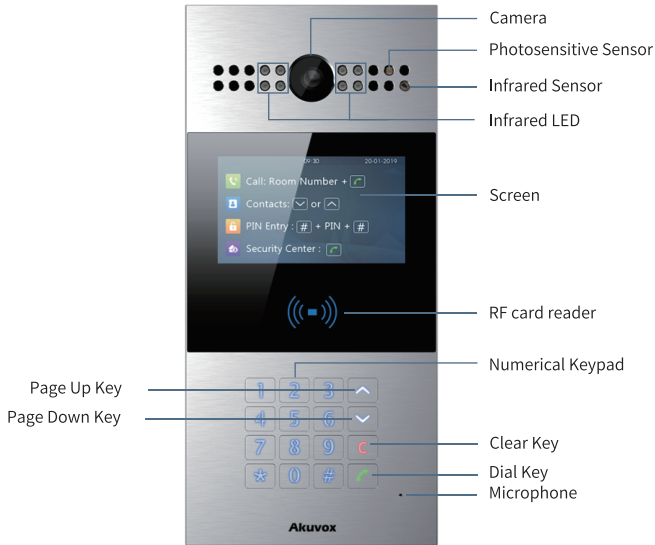
## Wall mounting Accessories

 2x	 1x	 6x	 6x
--	--	--	--

## Flush mounting Accessories

 6x	 1x	 1x	 6x
 6x			

## Product Overview



R28A

## Before You Start

### Tools needed

(not included in shipped box)

- Cat Ethernet Cable
- Crosshead Screwdriver
- Electric Drill

### Voltage and Current Specifications

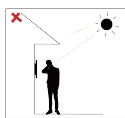
- It is suggested that use PoE or 12VDC 1A power adapter to power on device.

## AWG Sizes and Properties Table

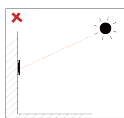
Power Supply	12VDC 1A	
AWG	20	22
Resistance(ohm/km)	33.9	48.5
Cross-sectional Area(mm <sup>2</sup> )	0.5189	0.3247
Wire Length(m)	≤50	≤40

## Requirements

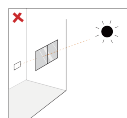
1. Place the device away from sunlight and light sources to prevent potential damage.
2. Do not place the device in the high-temperature, and humid environments or in surroundings impacted by magnetic field.
3. Install the device on the flat surface securely to avoid personal injuries and property loss caused by device's falling.
4. Do not use or place the device near heating objects.
5. If installing the device indoors, please keep device at least 2 meters away from light, and at least 3 meters away from window and door.



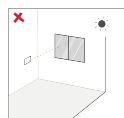
Backlight



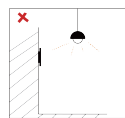
Direct sunlight



Direct sun through window



Indirect sunlight through window



Close to light

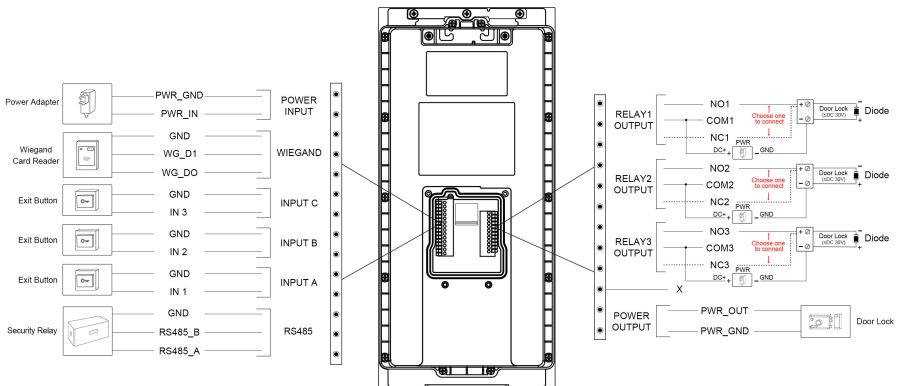
## Warning!

1. To ensure safety, avoid touching power cord, power adapter, and device with wet hands, bending or pulling the power cord, damaging any components, and use only qualified power adapter and power cord.
2. Be careful that standing up on the area under the device in case of personal injuries cause by hitting the device.

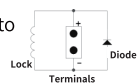
## Caution

1. Do not knock device with hard objects.
2. Do not press down hard on the device screen.
3. Do not expose device to chemical products, such as alcohol, acid liquid, disinfectants, and so on.
4. To prevent the device installation from becoming loose, ensure accurate diameters and depths of screw holes. If the screw holes are too large, use glue to secure the screws.
5. Use wet cloth clean device surface softly, and then wipe the surface with dry cloth for cleaning the device.
6. If there is abnormal situation of the device, including uncommon sound and smell, please power off the device and contact Akuvox Technical Team immediately.

## Wiring Interface



To protect the device from potential damage caused by over-voltage, it is recommended to wire a diode into the circuit. Connect the anode of the diode to the negative cable of the lock, and connect the cathode of the diode to the positive cable of the lock.



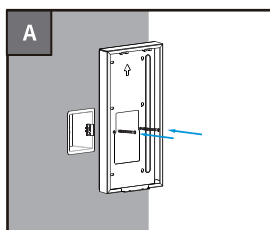


## Installation

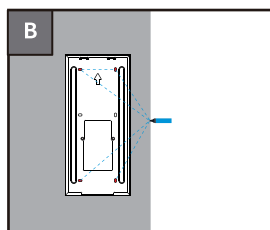
### Step 1: Bracket/Box Installation

#### 1. Wall Mounting

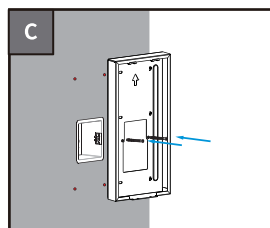
##### 1.1. With 86 embedded box in the wall



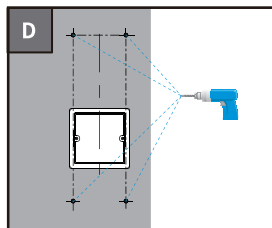
Fix the **wall-mounting box** on 86 junction box with two **M4x30 crosshead screws**.



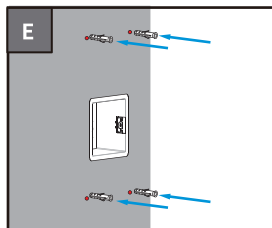
Mark the four holes of the **wall-mounting box** on the wall.



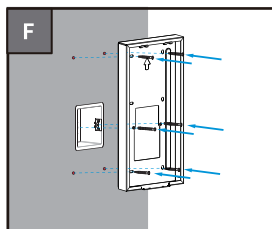
Take down two **M4x30 crosshead screws** and the **wall-mounting box**.



Use a hand drill with 6 mm diameter bit to make holes in the marked positions.

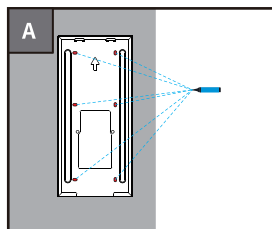


Insert the **plastic wall anchors** into the holes.

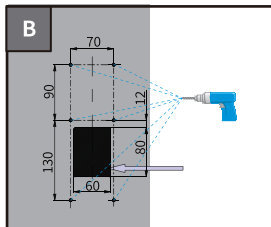


Fix the **wall-mounting box** with four **ST4x20 crosshead screws** and two **M4x30 crosshead screws**.

## 1.2. Without 86 embedded box in the wall

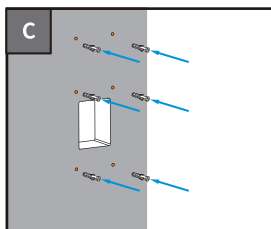


Mark the six holes of the **wall-mounting box** on the wall.

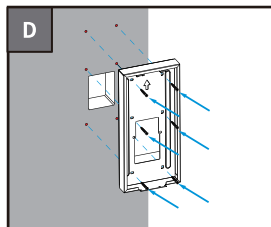


Use a hand drill with 6 mm diameter bit to make holes in marked positions.

Note: Please note the relative position in the left figure and the maximum error should be less than 5mm.

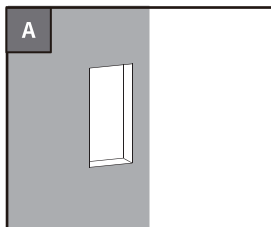


Insert the **plastic wall anchors** into the holes drilled before.



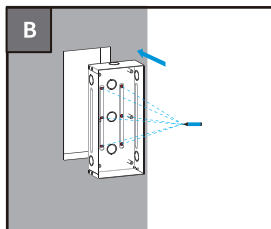
Fix the **wall-mounting box** with six **ST4x20 crosshead screws**.

## 2.Flush Mounting

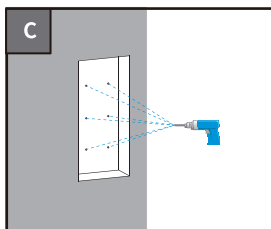


Dig out a square hole (height\*width\*depth=262.5\*121\*60mm).

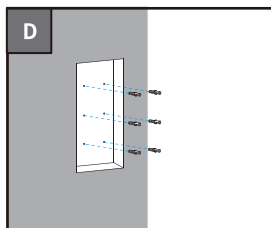
Note: The size of the hole should be a little larger than recommended value that can accommodate all cables



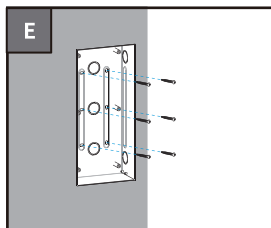
- Insert the **flush-mounting box** into the hole and make sure the cables of the device can route through the cable hole.
- Then mark the 6 holes of the **flush-mounting box** on the wall.



- Take down the **flush-mounting box**.
- Use a hand drill with 6mm diameter bit to make holes in the marked positions.



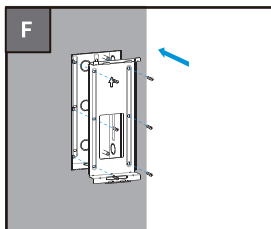
Insert the **plastic wall anchors** in the hole you drilled before.



- Place the **flush-mounting box** into the square hole until the edges of which align to the wall.
- Make all cables go through the cable hole.
- Fix the **flush-mounting box** with six **ST4x20 crosshead screws**.

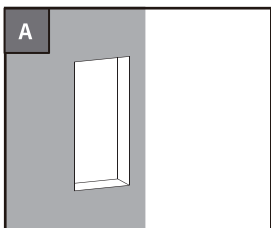
Note: The flush-mounting box can not over the edge of the square hole.





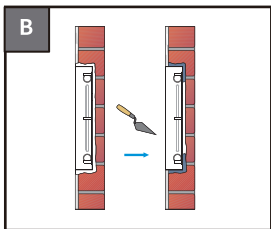
Use six **M4x10 crosshead screws** to fix the **flush-mounting bracket** on the **flush-mounting box**.

## Simple Installation (with lower resistance of vandalism)



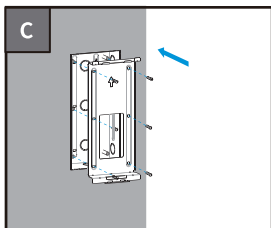
Dig out a square hole (height\*width\*depth=269.5\*122.4\*60.5mm).

Note: The size of the hole should be a little bigger than recommended value that can accommodate all cables.



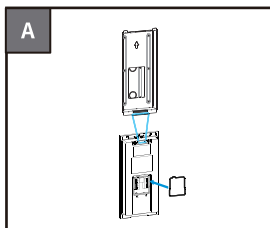
- Use cement or non-corrosive adhesive to fill the gap between the wall and the flush-mounting box.
- Wait for the cement to dry before proceeding to the next step.

Note: To prevent water from entering the back cover of the door phone, it is recommended to fill the gaps around with waterproof material.

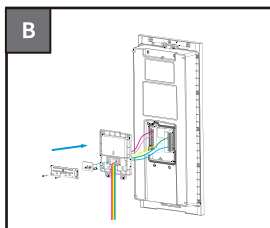


Use six **M4x10 crosshead screws** to fix the **flush-mounting bracket** on the **flush-mounting box**.

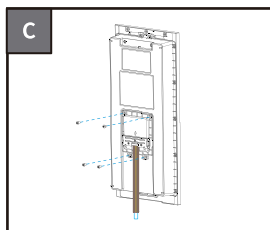
## Step 2: Wiring cover Installation



- For convenient wiring, hang R28A on the **wall-mounting box/flush-mounting bracket with rope**.
- Insert the **sealing ring** into the groove.

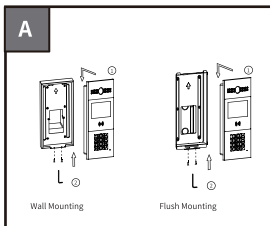


- Make cables go through the **wiring cover**, connecting to the corresponding interfaces of the main board.
- Choose a suitable size **rubber plug** to compress cables.
- Fasten the **sealing pressing plate** with **ST1.7x4 crosshead screws**.



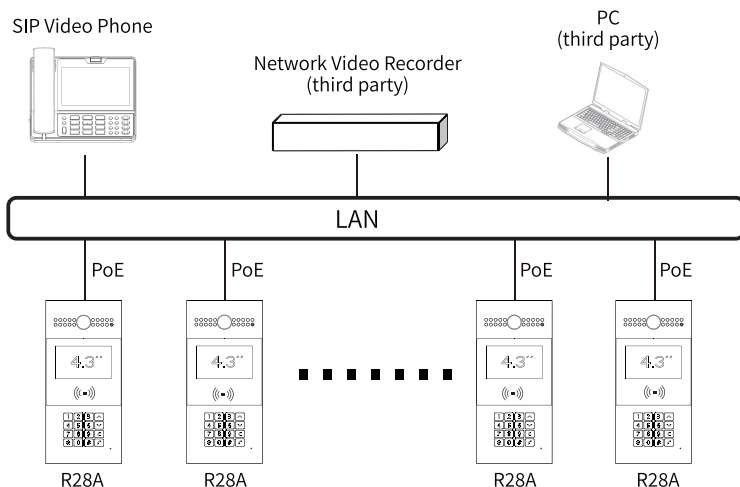
Use four **M3x5 crosshead screws** to fix the **wiring cover**.

## Step 3: Device Mounting



- Place the device into the **wall-mounting box/flush-mounting bracket** until the edges of which align to the wall.
- Pull the device downward and ensure the groove of it hooks to the lock catches of the back box.
- Use the **Allen wrench** to tighten the device with two **M3x6 hex socket screws**.

## Application Network Topology



## Device Test

Please verify the device status after installation:

- Network:** Press **\*2396#** to enter administrator setting interface. Select **System information** to get the device's IP address and network status. Network is working properly if the IP address is obtained.
- Intercom:** Enter the IP or SIP number and press **Dial** key to make a call. Or, press APT number to call. The call configuration is correct if the call is successful.
- Access Control:** Use pre-configured PIN code and RF card to unlock door.

## Warranty

- Akuvox warranty does not cover intentional mechanical damage or destruction caused by improper installation.
- Do not attempt to modify, alternate, maintain, or repair device by yourself. Akuvox warranty does not apply to damages caused by anyone who is not representative of Akuvox or an Akuvox authorized service provider. Please contact Akuvox Technical Team if the device need to be repaired.

## Get Help

For help or more assistance, contact us at:

 <https://ticket.akuvox.com/>

 [support@akuvox.com](mailto:support@akuvox.com)

Scan the QR code to get more videos, guides, and additional product information.



### Notice Information

**Information contained in this document is believed to be accurate and reliable at the time of printing. This document is subject to change without notice, any update to this document can be viewed on Akuvox' s website: <http://www.akuvox.com> © Copyright 2024 Akuvox Ltd. All rights reserved.**

