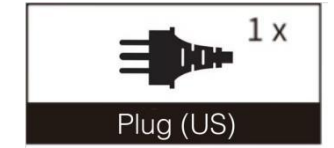
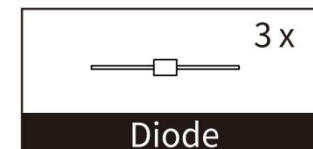
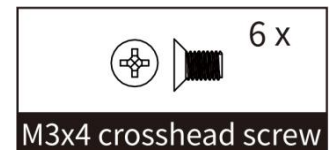
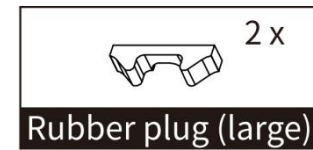
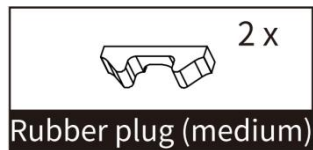
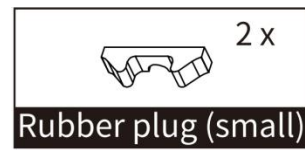
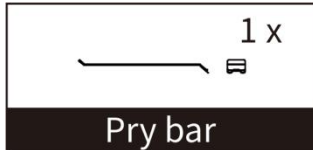
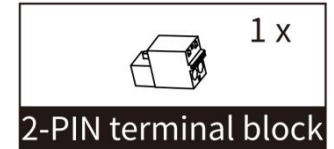
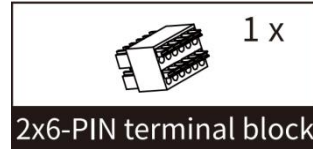


# Akuvox X915X

## Installation Guide

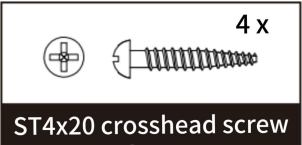
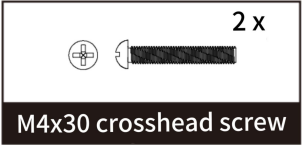
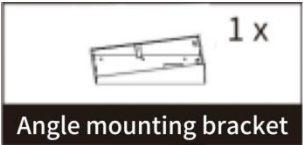
### Unpacking

Before using the device, check the device model and ensure that the shipped box includes the following items:



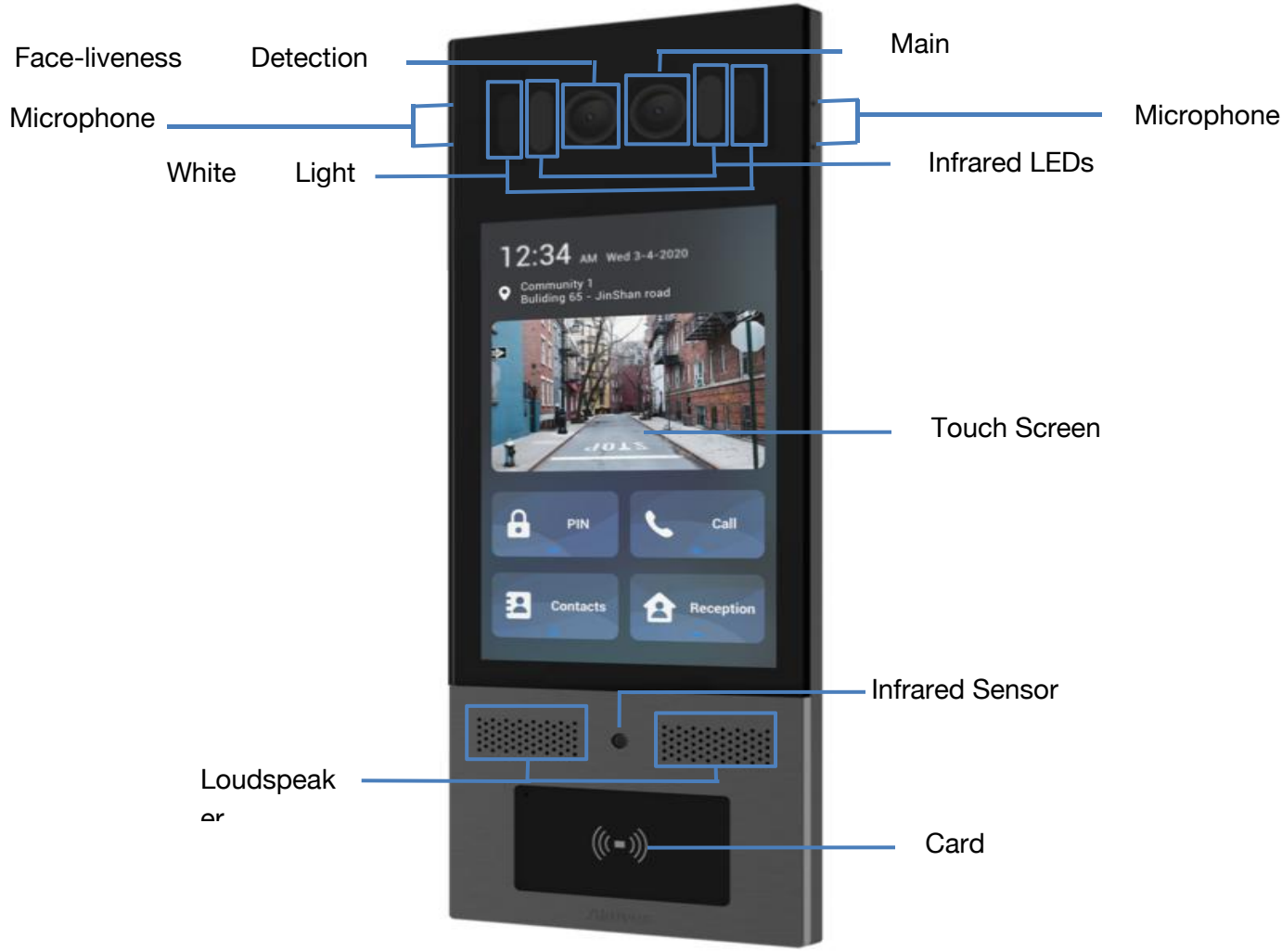
# Akuvox X915X

Angle-mounting accessories:



# Akuvox X915X

## Product Overview



# Akuvox X915X

## Before You Start

### Tools needed

(not included in shipped box)

- Cat Ethernet Cable
- Crosshead Screwdriver
- Electric Drill

### Voltage and Current Specifications

- It is suggested that use PoE+ or 24VDC 2.5A power adapter to power on device.

### AWG Sizes and Properties Table

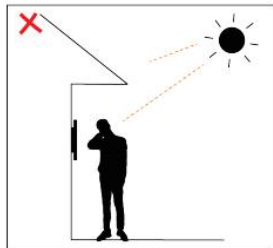
Please follow the properly wire data to install device:

Power Supply	24VDC 2.5A				
AWG	12	14	16	18	20
Resistance (ohm/km)	5.31	8.45	13.5	21.4	33.9
Cross-sectional Area (mm <sup>2</sup> )	3.332	2.075	1.318	0.8107	0.5189
Wire Length (m)	≤40	≤30	≤20	≤10	≤5

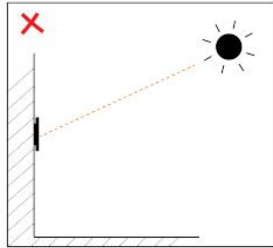
# Akuvox X915X

## Requirements

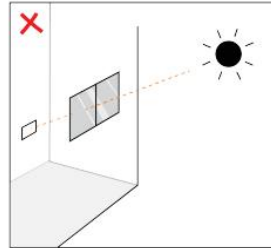
1. Place the device away from sunlight and light sources to prevent potential damage.
2. Do not place the device in the high-temperature, and humid environments or in surroundings impacted by magnetic field.
3. Install the device on the flat surface securely to avoid personal injuries and property loss caused by device's falling.
4. Do not use or place the device near heating objects.
5. If installing the device indoors, please keep device at least 2 meters away from light, and at least 3 meters away from window and door.



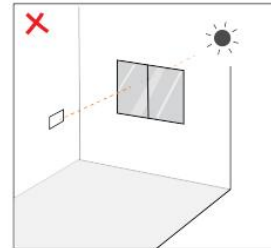
Backlight



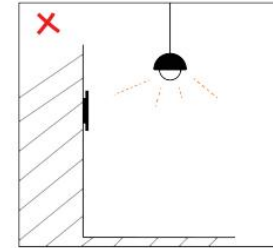
Direct sunlight



Direct sun  
through window



Indirect sunlight  
through window



Close to light

# Akuvox X915X

## Warning!

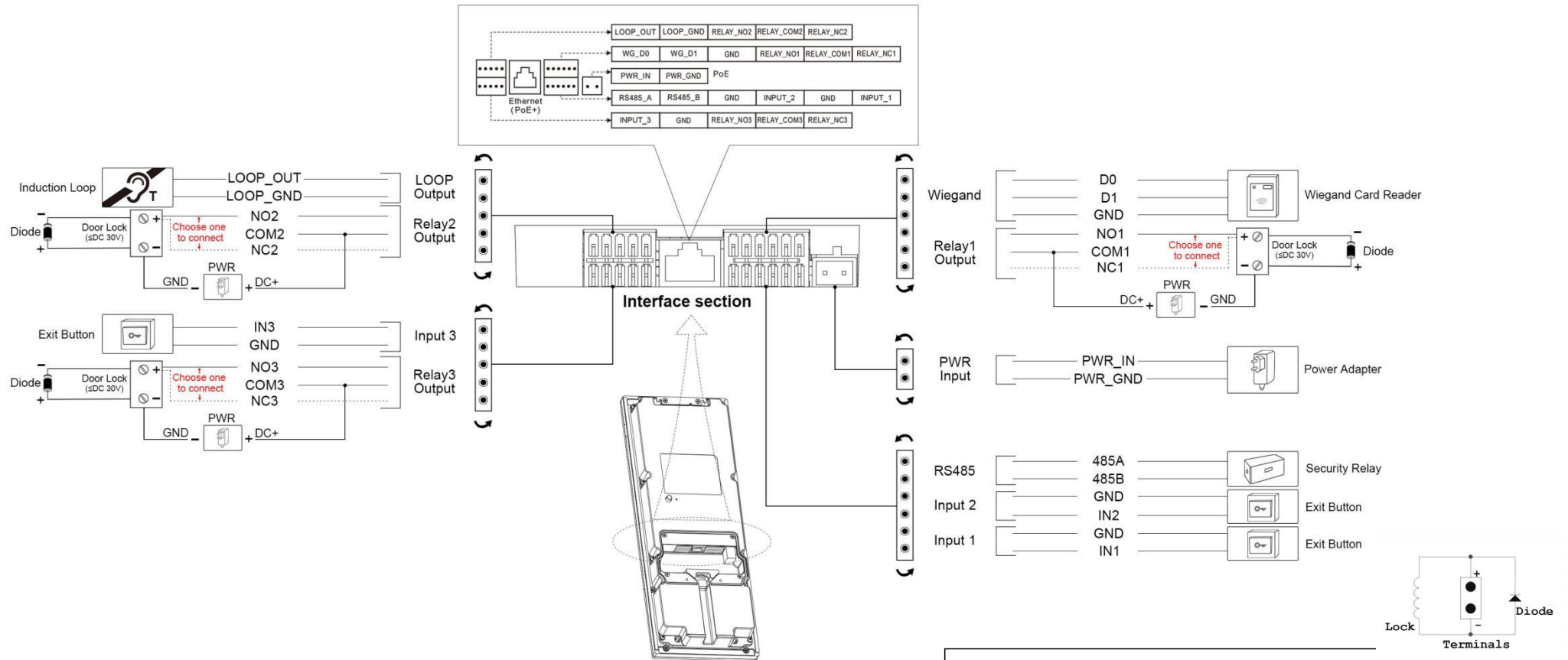
1. To ensure safety, avoid touching power cord, power adapter, and device with wet hands, bending or pulling the power cord, damaging any components, and use only qualified power adapter and power cord.
2. Be careful that standing up on the area under the device in case of personal injuries cause by hitting the device.

## Caution

1. Do not knock device with hard objects.
2. Do not press down hard on the device screen.
3. Do not expose device to chemical products, such as alcohol, acid liquid, disinfectants, and so on.
4. To prevent the device installation from becoming loose, ensure accurate diameters and depths of screw holes. If the screw holes are too large, use glue to secure the screws.
5. Use wet cloth clean device surface softly, and then wipe the surface with dry cloth for cleaning the device.
6. If there is abnormal situation of the device, including uncommon sound and smell, please power off the device and contact Akuvox Technical Team immediately.

# Akuvox X915X

## Wiring Interface

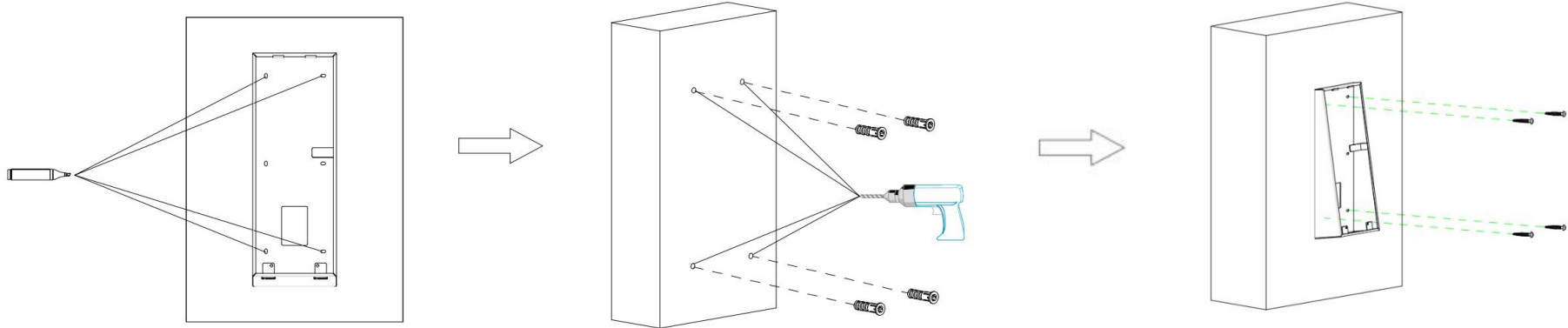


To protect the device from potential damage caused by over-voltage, it is recommended to wire a diode into the circuit. Connect the anode of the diode to the negative cable of the lock, and connect the cathode of the diode to the positive

# Akuvox X915X

## Installation

### Step1: Bracket Installation



a. Position the **angle mounting bracket** closely against the wall, aligning it with the wire's location.

b. Mark the hole positions at the center of the four holes on the **wall-mounting box**.

a. Remove the box and use a 6mm hand drill to drill the four marked holes.

b. Insert four **plastic wall anchors** into the holes.

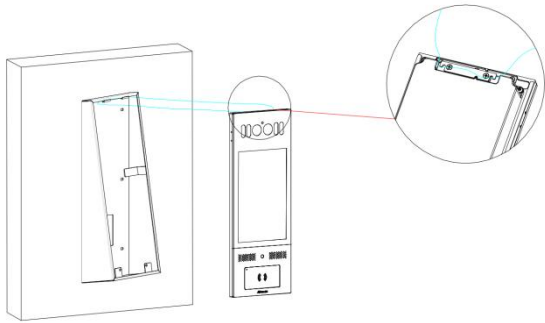
a. Align the **angle mounting box's** four holes with the corresponding drilled holes on the wall.

b. For fasten the wall-mounting box, tighten the four **ST4x20 crosshead screws** to the **plastic wall anchors**.

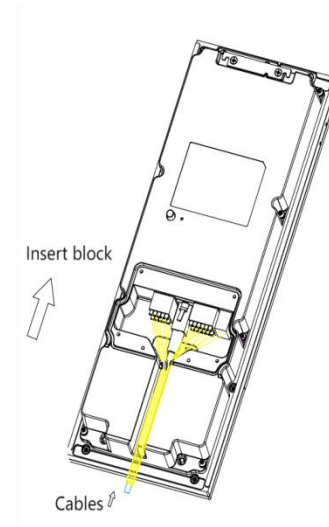
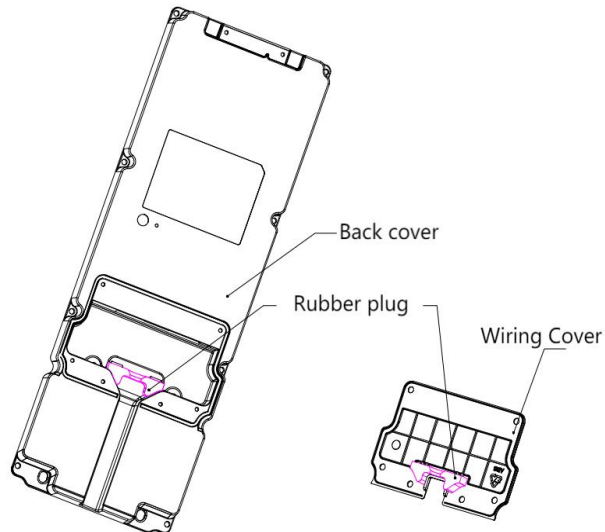


# Akuvox X915X

## Step2: Main Unit Installation



For easier installation, hang the device on the box using a **rope**.



a. Insert the **terminal blocks** into the corresponding interface of as indicated in the drawing.

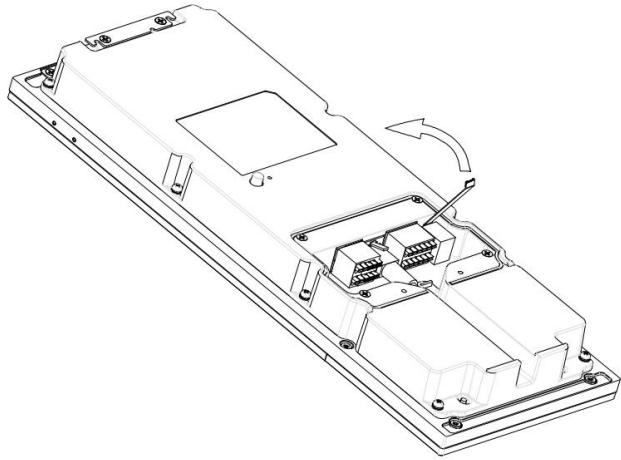
b. Connect the wires to the **terminal blocks** as needed (for details, refer to "Wiring Interface").

a. Select an appropriate **rubber plug** (small, medium, or large) to secure the wires.

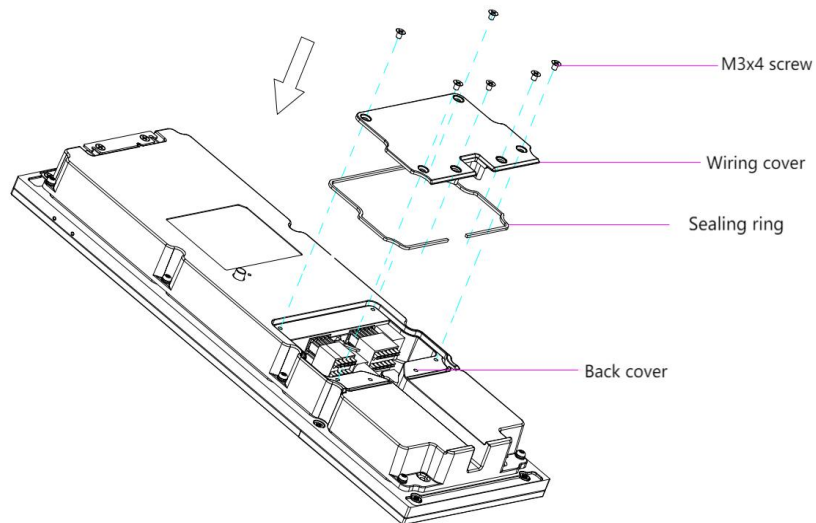
b. Remove the adhesive sticker from the chosen **rubber plug** and attach it to the device wiring hole.

c. Similarly, remove the adhesive sticker from another **rubber plug** of the same size and place it on the wiring cover.

# Akuvox X915X



Please use the **pry bar attached** to unplug the terminal block if needed.

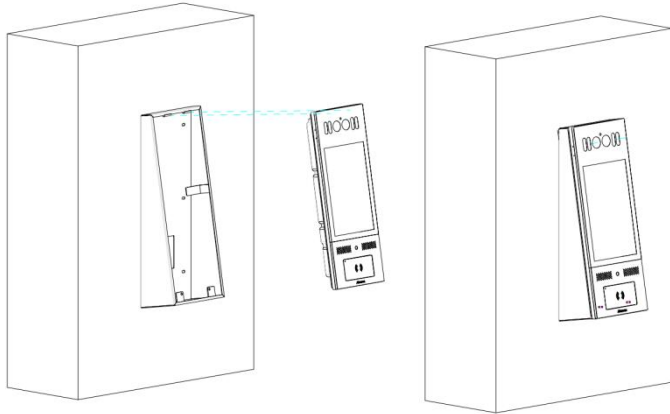


a. Press **sealing ring** and **wiring cover** into the corresponding groove.

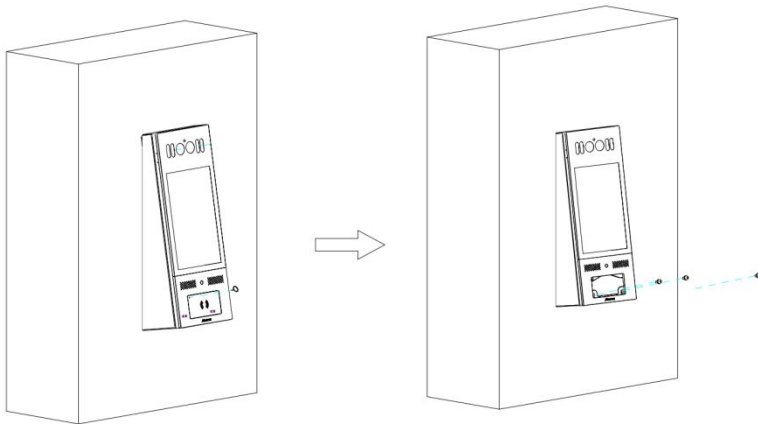
b. Tighten the wiring cover with six **M3x4 crosshead screws**.

# Akuvox X915X

## Step3: Device Mounting

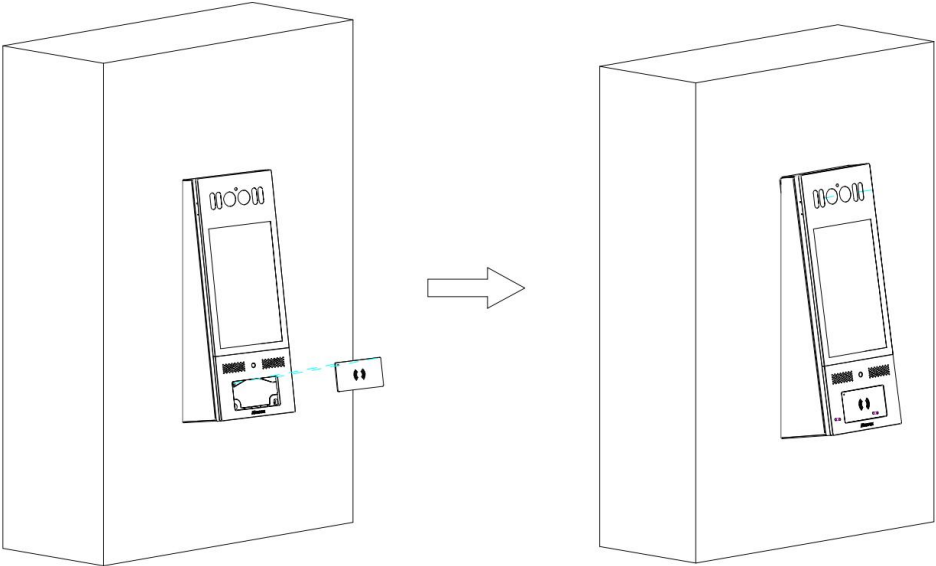


- a. Tilt device about 15 ° .
- b. Hang the slot onto the back upper part of the main unit into the corresponding hooks of the angle mounting bracket.
- c. Gently lower the main unit into the angle mounting bracket.



- a. Insert **plate removal key** into the small hole located at the upper left of the **card reader plate touch plate** to pull out it.
- b. Fix two **M3x9.5 torx head screws** into the holes

# Akuvox X915X

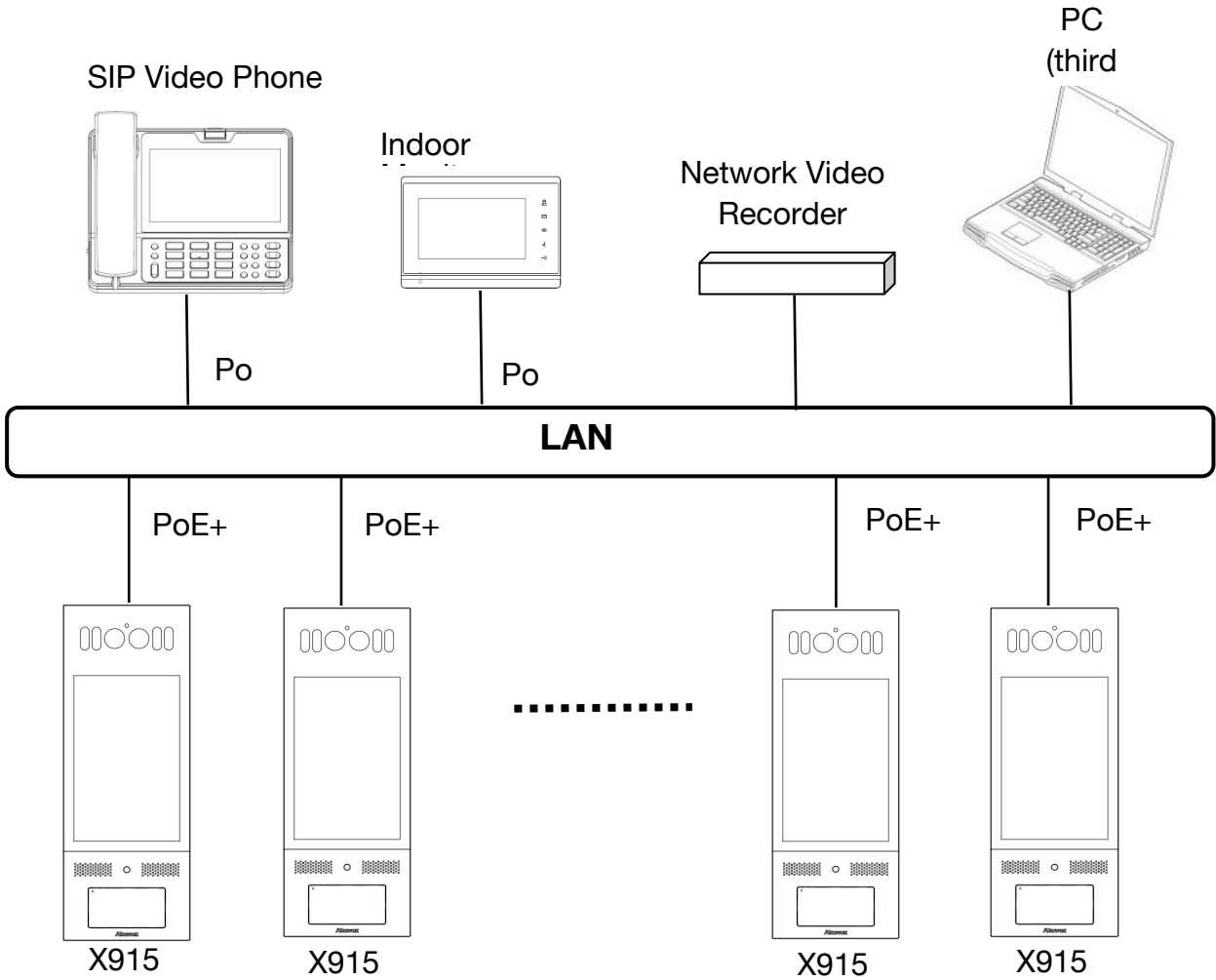


Press the **card reader touch plate** back into its original position, and the installation is done.

# Akuvox X915X

## Application

## Network



# Akuvox X915X

## Device Test

Please verify the device status after installation:

1. **Network:** Press **Call** key, enter 9999, and tap **Call**. Then, type 3888 and tap **Confirm** to access settings page. Go to **Network settings** to check the device's IP address and network status. Network is working properly if the IP address is obtained.
2. **Intercom:** Tap **Call** key, enter the IP or SIP number and press **Dial** key to make a call. Or, tap APT number to call. The call configuration is correct if the call is successful.
3. **Access Control** : Use pre-configured PIN code, RF card, and face to unlock door.

## Warranty

1. Akuvox warranty does not cover intentional mechanical damage or destruction caused by improper installation.
2. Do not attempt to modify, alternate, maintain, or repair device by yourself. Akuvox warranty does not apply to damages caused by anyone who is not representative of Akuvox or an Akuvox authorized service provider. Please contact Akuvox

## Get Help

For help or more assistance, contact us at:



<https://ticket.akuvox.com/>



[support@akuvox.com](mailto:support@akuvox.com)

Scan the QR code to get more videos, guides, and additional product formation.



# Akuvox X915X

## *Notice Information*

*Information contained in this document is believed to be accurate and reliable at the time of printing. This document is subject to change without notice. any update to this document can be viewed on Akuvox' s website: <https://www.akuvox.com> © Copyright 2025*