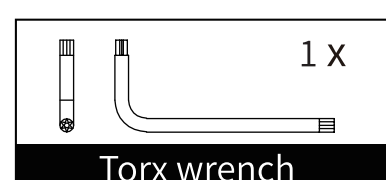
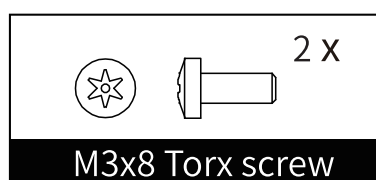
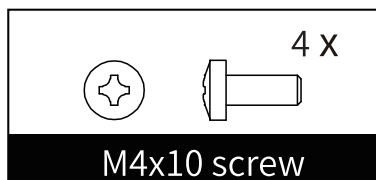
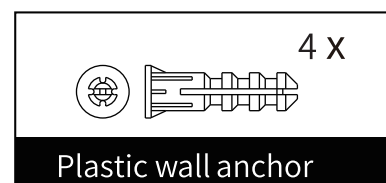
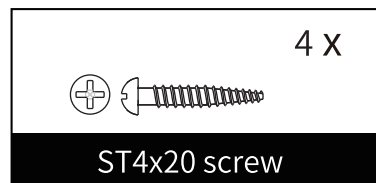
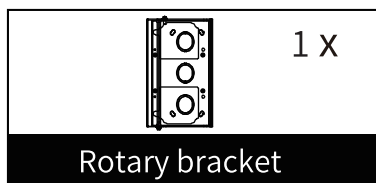


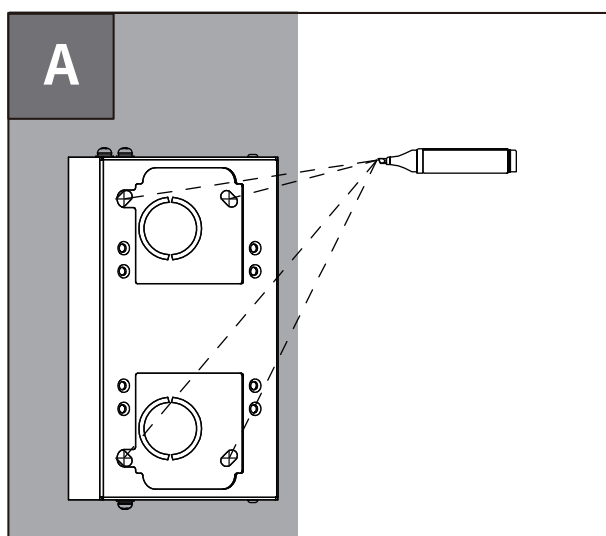
Unpacking

Before using the device, check the device model and ensure that the shipped box includes the following items:

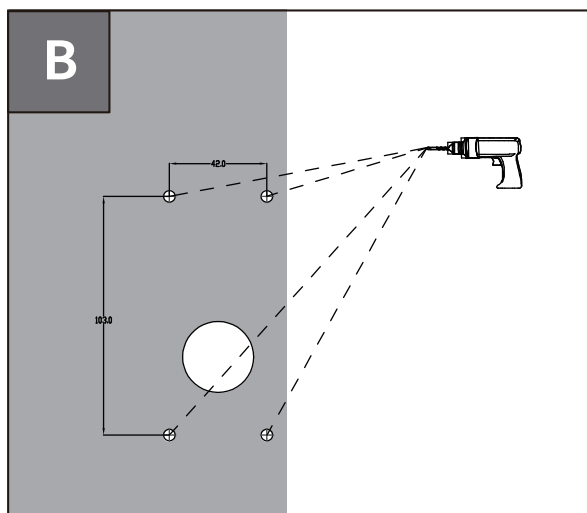


Installation

Step1: Rotary Bracket Installation

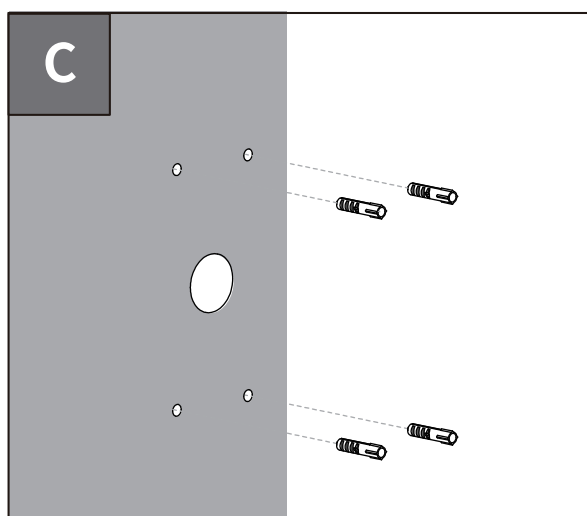


- According to cable positions, place the **adjustable angle bracket** on wall.
- Mark four screw holes on the wall.

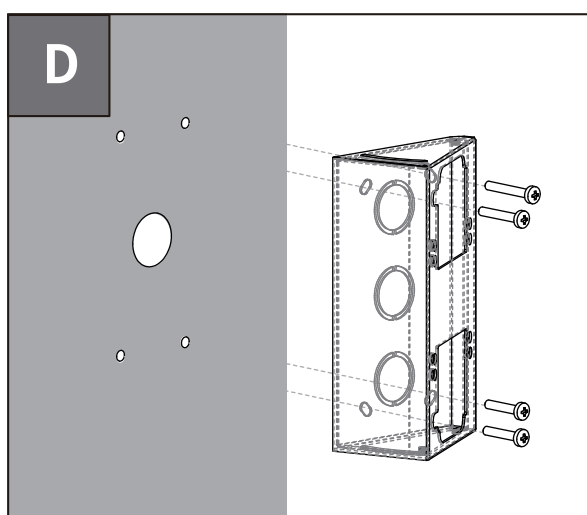


- Take down the **adjustable angle bracket**.
Use a 6 mm hand drill to make the four holes with
b. a depth of 20 mm.

Note: Make sure the spacing between these holes matches the measurement indicated in the figure.

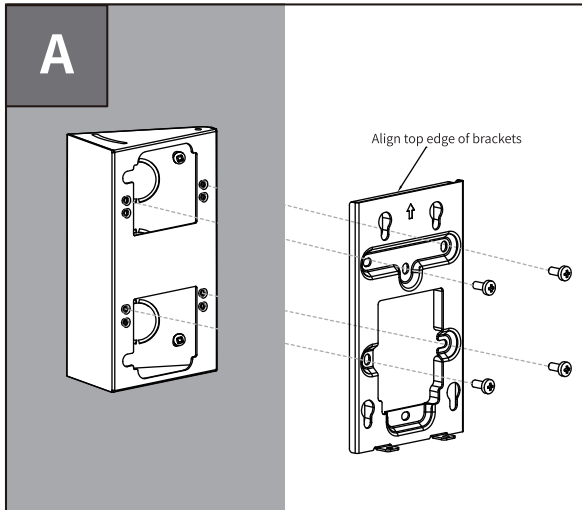


Insert four **plastic wall anchors** into four drilled holes.



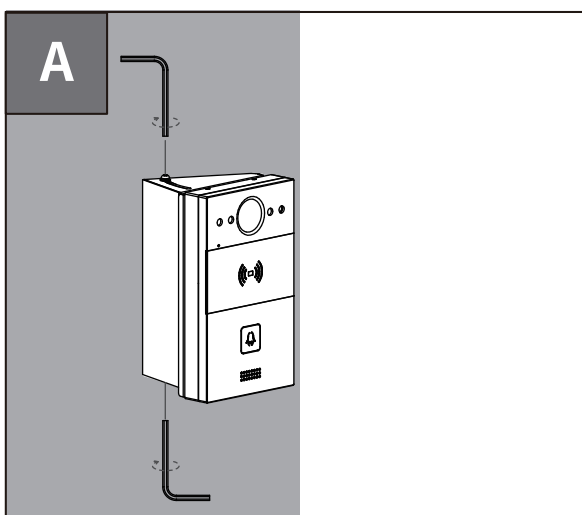
Tighten the four **ST4x20 crosshead screws** to the **plastic wall anchors** to fasten the **adjustable angle bracket**.

Step2: Wall-mounting Bracket Installation

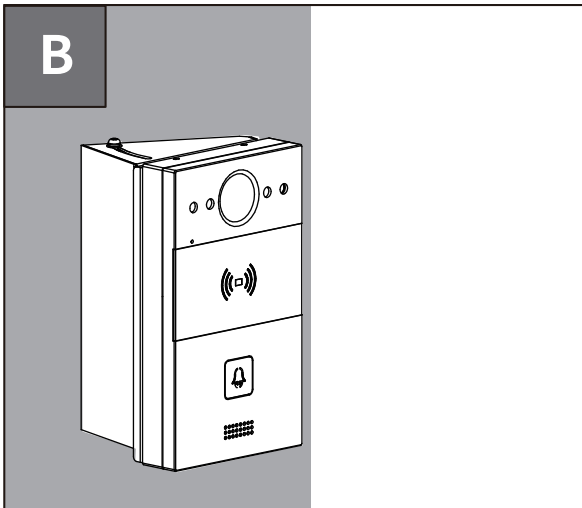


- Place **wall mounting bracket** onto the **adjustable angle bracket**, ensuring that their top edges are aligned.
- Use four **M4x10 crosshead screws** to fasten the adjustable angle bracket.

Step3: Rotary Bracket Adjustment



- Use **Torx wrench** to secure **M3x8 Torx head screws** on the adjustable angle bracket, but do not fully tighten them.
- Adjust the bracket angle according as needed.
- Fully tighten the two **M3x8 Torx head screws**.



Check the device is securely installed, functions properly, and the installation is complete.

Get Help

For help or more assistance, contact us at:

 <https://ticket.akuvox.com/>

 support@akuvox.com

Scan the QR code to get more videos, guides, and additional product information.



Notice Information

Information contained in this document is believed to be accurate and reliable at the time of printing. This document is subject to change without notice, any update to this document can be viewed on Akuvox' s website: <http://www.akuvox.com> © Copyright 2023 Akuvox Ltd. All rights reserved.