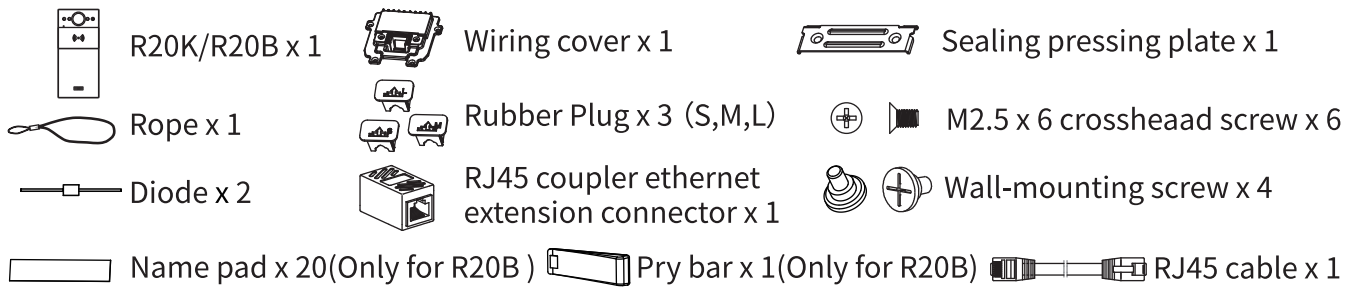


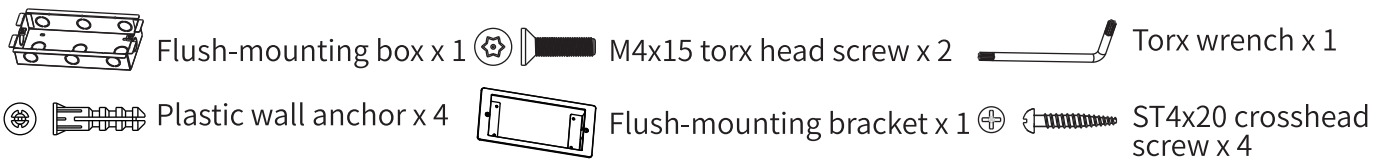
Unpacking

Before you start using the device, please check the version you got and ensure that the following items are included in the shipped box:

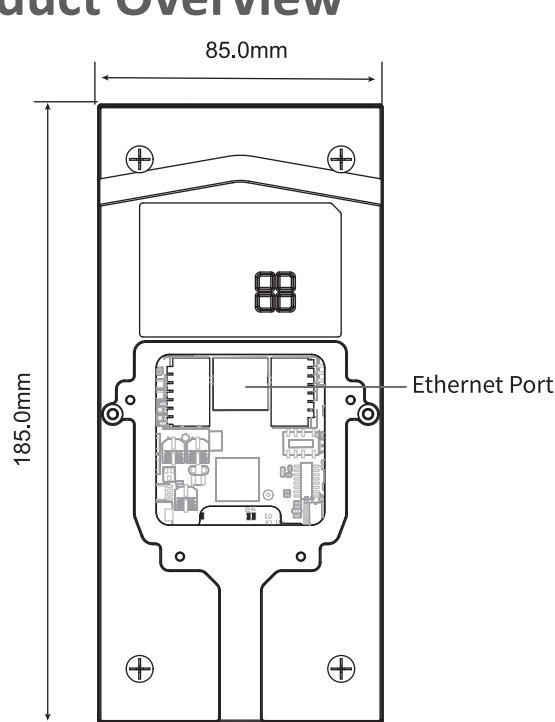
Universal Accessories:



Flush-mounting Accessories :



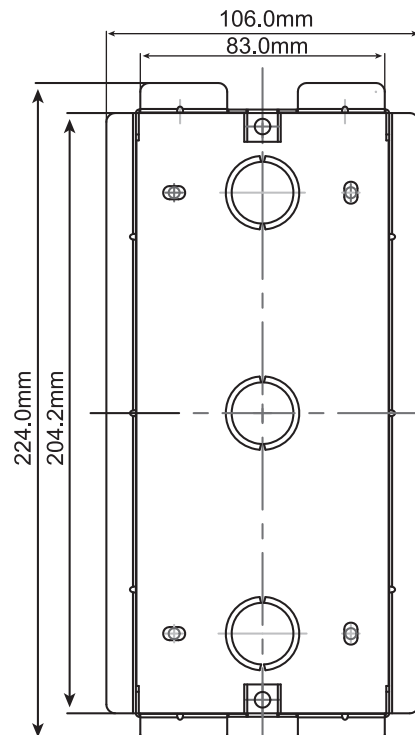
Product Overview



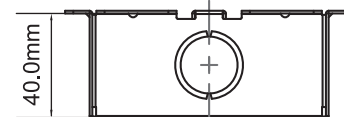
R20K/R20B Back View



R20K/R20B Bottom View



Flush-mounting Box Front View

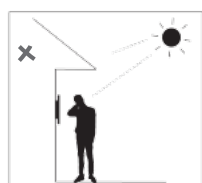


Flush-mounting Box Bottom View

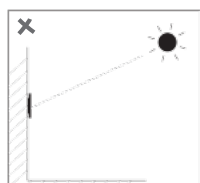
Installation Environment

Please do not place device under direct sunlight.

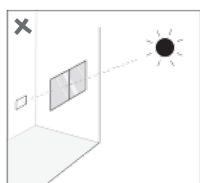
If installing the device indoors, please keep device at least 2 meters away from light, and at least 3 meters away from window and door.



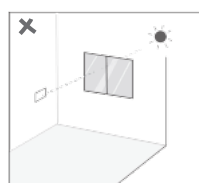
Backlight



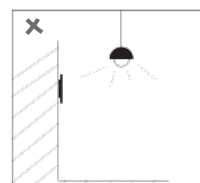
Direct sunlight



Direct sun through window



Indirect sunlight through window



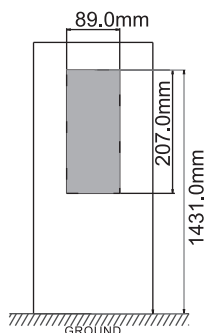
Close to light

Installation

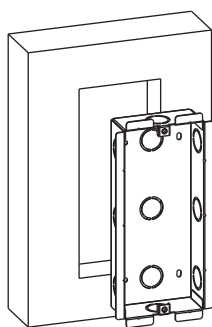
Flush Mounting

Step1: Bracket/Box Installation

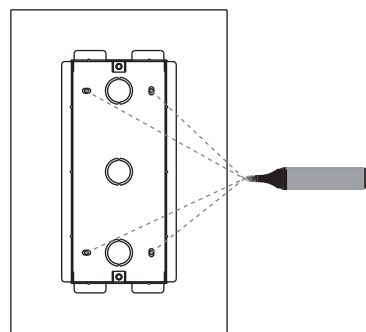
1. Normal Installation



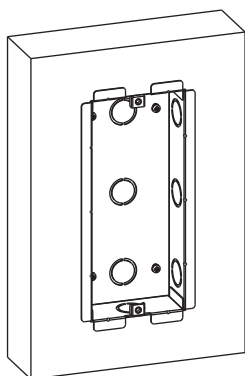
Cut a rectangular hole on the wall (height*wide*depth=207*89*40mm) that can accommodate all the cables.



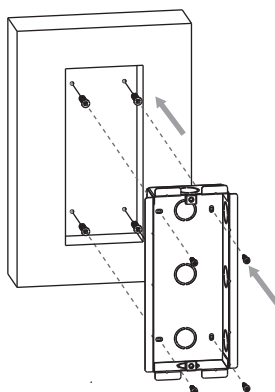
Insert the flush-mounting box into the hole.



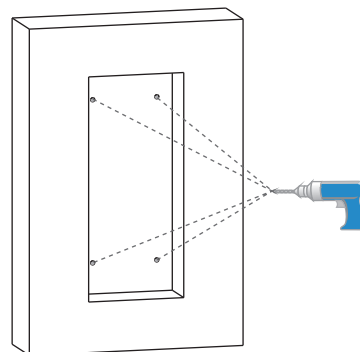
Mark the four holes of the flush-mounting box on the wall.



Flush-mounting box installation is completed.



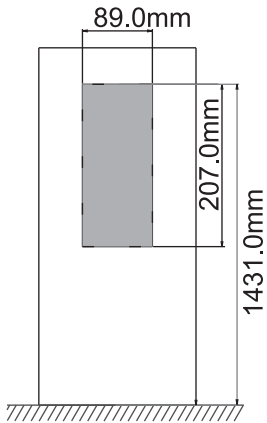
Insert four plastic wall anchors into the holes you drilled before. Fix the flush-mounting box with four ST4x20 crosshead screws.



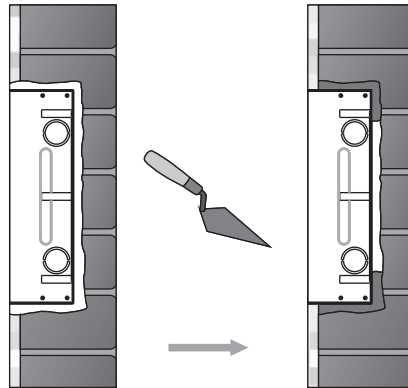
Take down the flush-mounting box, then drill (6mm drill bit required) the four marked fixing holes on the wall with a depth of 25mm.

R20K/R20B Flush-mounting Installation Quick Guide

2. Or you can choose another simple method without fixing ST4x20 crosshead screws.



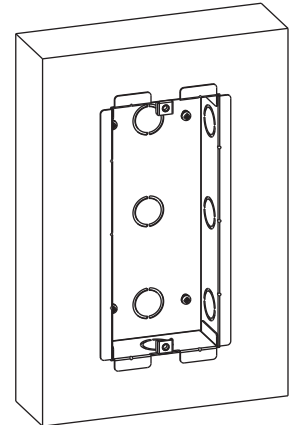
Cut a rectangular hole on the wall (height*wide*depth=207*89*40mm) that can accommodate all the cables.



Use cement or non-corrosive structural adhesives to fill the gap between the wall and flush-mounting box. Wait for the adhesive material to dry, then go to the next step.

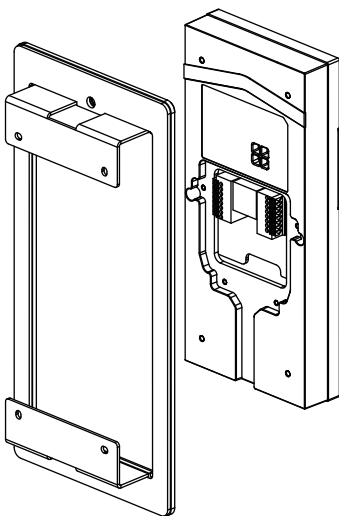
Waterproof Tips:

- For flush mounting installation, it is recommended to fill the gaps around the embedded box for waterproofing (to prevent water from entering the back cover of the door phone from the gap).
- Or it is recommended to use rain cover.

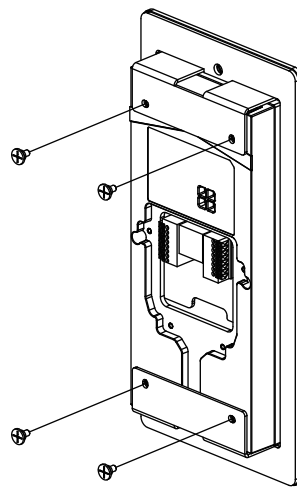


Finish the flush-mounting box installation.

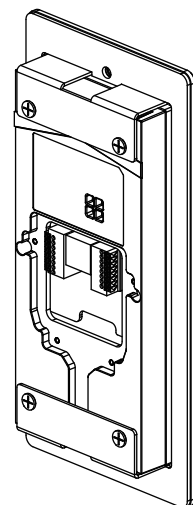
Step2: Flush-mounting Bracket Installation



Combine the device with the flush-mounting bracket according to the direction indicated in the drawing.

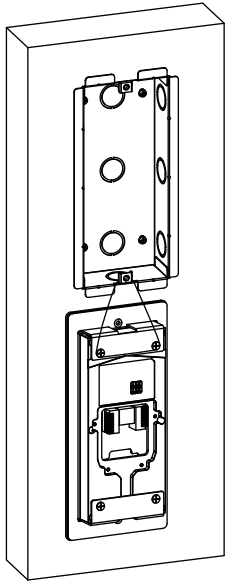


Tighten the device onto the flush-mounting bracket with four wall-mounting screws.

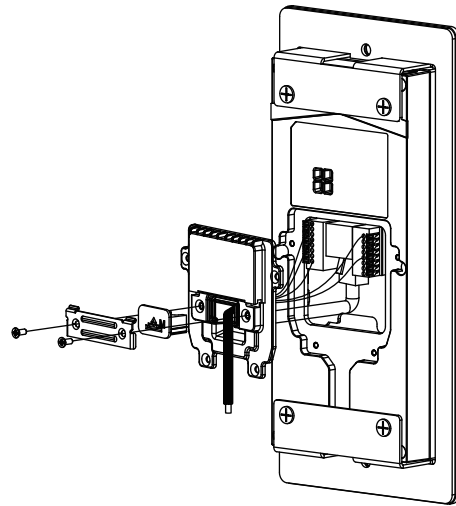


Flush-mounting bracket installation is completed.

Step3: Wiring Cover Installation

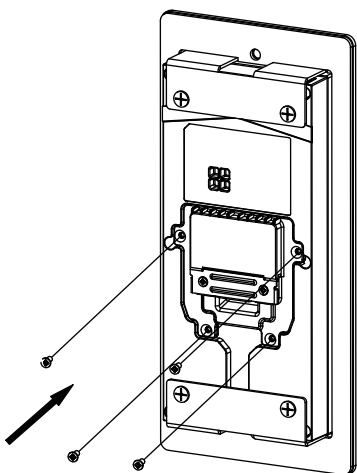


For convenient wiring, hang R20K/R20B on the flush-mounting box with rope.

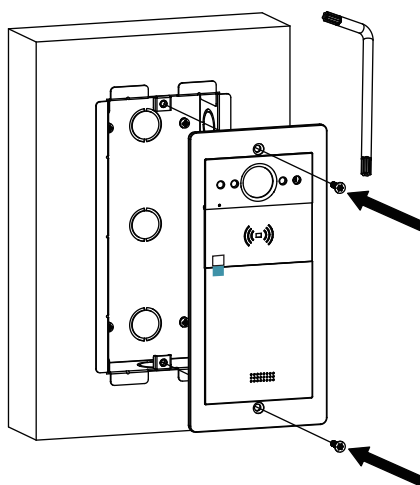


Make cables go through the wiring cover, connecting to the corresponding interfaces of the main board. Select a suitable size rubber plug to push all the cables into the wiring cover. Fix sealing pressing plate to the wiring cover with two M2.5x6 crosshead screws.

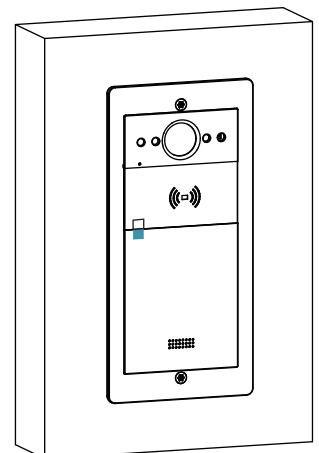
Note: In the case of one network cable or less than 6 signal cables, use S-size rubber plugs. In the case of 7 to 10 signal cables, use M-size rubber plugs. When there are more than 11 signal cables, please use L-size wiring rubber plug.



Fasten the wiring cover with four M2.5x6 screws.



Install the device on the flush-mounting bracket using two M4x15 torx head screws.



Installation completed, please remove the protective film.

Wire Length & AWG Table

Please follow the properly measured wire gauge/length to install device:

	20 AWG	22 AWG	24 AWG	26 AWG
12V 1A Adapter	≤50m	≤40m	≤20m	\

Notice Information

Akuvox R20K/R20B firmware contains third-party open source software under the terms of the GNU General Public License(GPL). Akuvox is committed to meeting the requirements of the GNU General Public License (GPL) and will make all required source code available.

The source code of software under the terms of GNU GPL can be downloaded online: <http://www.akuvox.com/gpl>.

Information contained in this document is believed to be accurate and reliable at the time of printing. This document is subject to change without notice, any update to this document can be viewed on Akuvox' s website: <http://www.akuvox.com> © Copyright 2022 Akuvox Ltd. All rights reserved.



AKUVOX (XIAMEN) NETWORKS CO., LTD.

Add.: 10/F, NO.56 GUANRI ROAD, SOFTWARE PARK II, XIAMEN 361009, CHINA
www.akuvox.com



YS20000073