



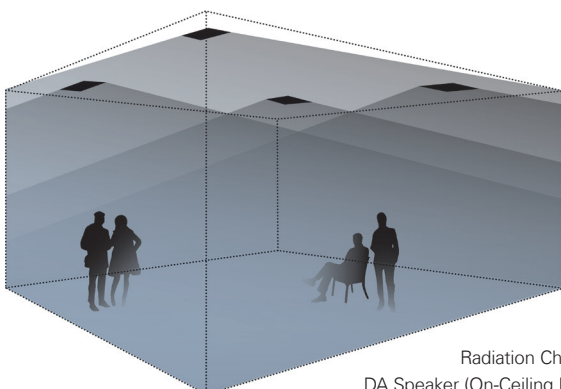
DA 250 (Q) Polar On-Wall Speaker with Wide Dispersion Angle

Description

Elegant, 2-way, surface-mounted speaker with Polar technology for perfect, half-spheric dispersion. The optimized cabinet design with two passive radiators ensures outstanding low frequency behavior and evenly acoustic irradiation with excellent sound quality, even in rooms with just a few speaker systems and without subwoofers.

The DA 250 (Q) Polar is ideal for high-quality home audio applications as well as professional multimedia systems and fixed installations.

With its flat design, the DA 250 (Q) Polar can be used as a wall- or ceiling-mounted speaker. It is a great addition to our built-in speakers DE 140 Polar and DE-X 140 Polar, and is particularly suited to areas where there is no wall paneling or suspended ceiling.



Radiation Characteristic
DA Speaker (On-Ceiling Installation)

Key Features

- 2-way system with Polar technology
- 180° dispersion
- Perfect sound distribution with a small number of loudspeakers
- Outstanding bass response
- 4" woofer + 1" dome tweeter + 2 × 4" passive radiators
- 60 watts power capacity
- 8 ohms and 100 V versions
- Round or square
- Standard finish: white or black
- Suitable for humid rooms

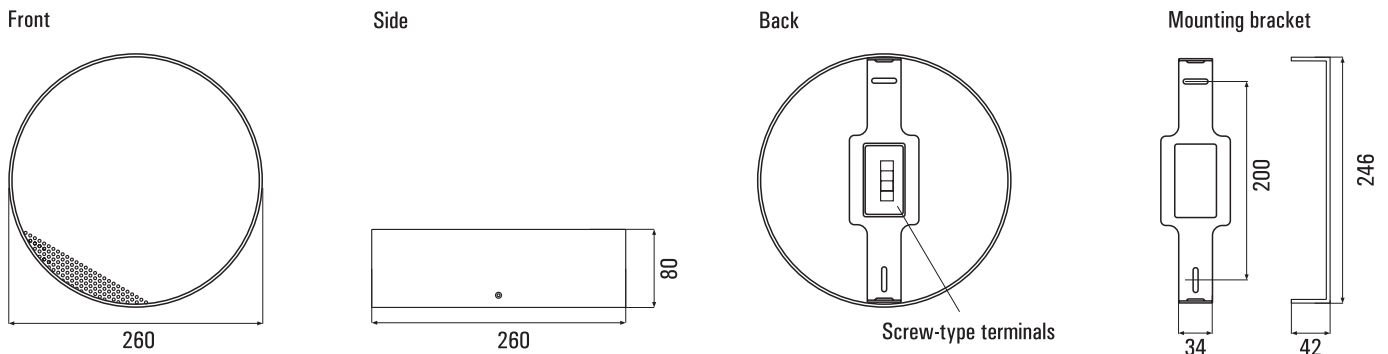
Fields of Application

- Conference rooms
- Gastronomy
- Home audio
- Media rooms
- Shops and Sales rooms
- Exhibitions, trade fairs
- Museums

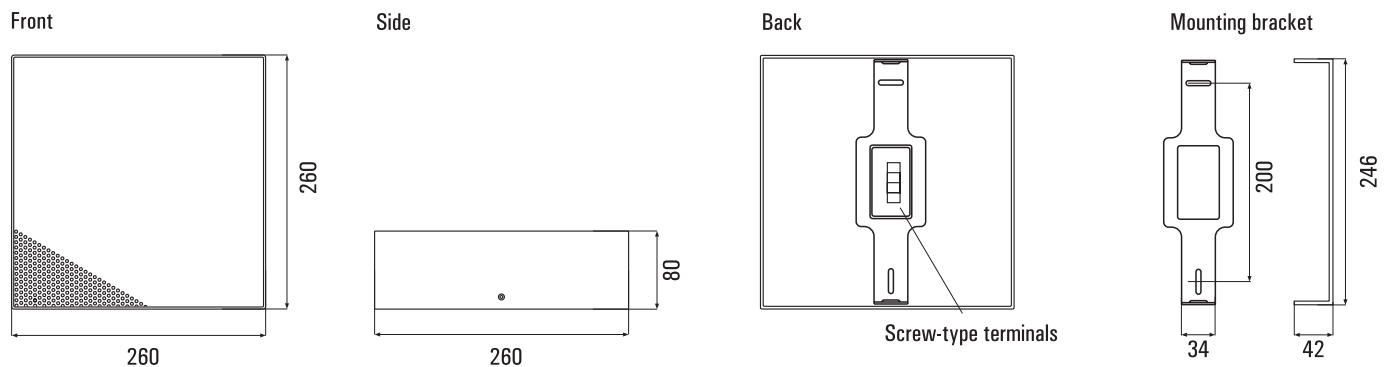
DA 250 (Q) Polar On-Wall Speaker with Wide Dispersion Angle

Dimensions

DA 250 Polar



DA 250 Q Polar



Technical Data

Principle	2-way system with Polar technology
Components	4" woofer + 1" dome tweeter + 2 x 4" passive membranes
Frequency range	45 Hz – 21 kHz
Impedance	8 ohms
Power capacity	30 watts RMS, 60 watts program
Sensitivity	85 dB (1W@1 m)
Maximum SPL	103 dB @ 1 m, 100 V version: 100 dB @ 1 m
Nominal dispersion	180°
Dimensions (W x H x D)	DA 250: Ø = 260 mm, d = 84 mm DA 250 Q: 260 x 260 mm, d = 84 mm
Weight	2.8 kg
Fastening points	U-braket at back, masked (included in delivery)
Connectors	Pluggable screw-type terminals
Warranty	5 years

Model

Order-No.

Version

DA 250 Polar White	0511-0001	Round, RAL 9016
DA 250 Polar Black	0511-0002	Round, RAL 9005
DA 250 T Polar White	0511-0003	Round, 100 V versions
DA 250 T Polar Black	0511-0004	Power 7.5/15/30 watts
DA 250 Q Polar White	0511-0005	Square, RAL 9016
DA 250 Q Polar Black	0511-0006	Square, RAL 9005
DA 250 QT Polar White	0511-0007	Square, 100 V versions
DA 250 QT Polar Black	0511-0008	Power 7.5/15/30 watts

Detachable mounting bracket at back.

Other colors and versions on request.

DA 250 (Q) Polar On-Wall Speaker with Wide Dispersion Angle

Diagrams

DA 250 Q Sens. 2.83V/1m: 82.3 dB (100-10k) 50 Hz – 20 kHz (-6dB) half space

