



DE 140 Polar / DE 140 Q Polar In-Wall / In-Ceiling Speaker

Description

The smallest model in the Polar® speaker series is a two-way speaker with compact dimensions and a large linear frequency spectrum. Music and speech are dynamically reproduced with exceptional clarity. Thanks to optimum omnidirectional dispersion characteristics, sound is distributed evenly throughout the space, even with just a few speakers.

The DE 140 Polar is comprised of three parts. First, the elegant installation frame is mounted in the ceiling or wall. The speaker unit and the magnetic front grille are then installed. This enables reliable installation and retrofitting, even for complicated installation scenarios.

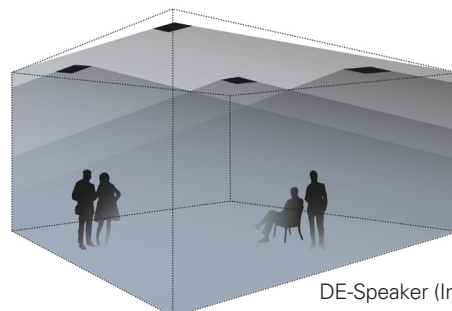
In spaces with different interior designs, the DE 140 Polar can be combined with the DE-X 140 Polar, DA 250 Polar and FZ 140 Polar models to create homogeneous sound systems.

Special Features

- 2-way system with Polar® technology
- 180° dispersion
- Perfect sound distribution with a small number of loudspeakers
- Very linear frequency response
- Small dimensions and installation depth
- 4" woofer + 1" dome tweeter
- 60 watts power capacity
- 8 ohms and 100 V versions
- Round or square
- Standard finish: white or black
- Moisture proof

Fields of Application

- Conference rooms
- Exhibitions, trade fairs
- Gastronomy, hotels
- Home audio
- Shops, sales rooms
- Surround systems



Nominal Dispersion
DE-Speaker (In-Ceiling Installation)

DE 140 Polar / DE 140 Q Polar In-Wall / In-Ceiling Speaker

Technical Data

Principle	2-way loudspeaker with Polar® technology
Components	4" woofer + 1" dome tweeter
Frequency range	76 Hz – 21 kHz
Impedance	8 ohms
Power capacity	30 watts RMS, 60 watts program
Sensitivity	84 dB SPL (1 W @ 1 m), half-space (flush mounted)
Maximum SPL	102 dB @ 1 m, 100 V version: 99 dB @ 1 m
Nominal dispersion	180°
Dimensions	DE 140 Polar: Ø 144 mm DE 140 Q Polar: 144 × 144 mm
Cutout size	DE 140 Polar: Ø 128 mm DE 140 Q Polar: 128 × 128 mm
Wall thickness	8...30 mm
Installation depth	83 mm
Weight	1.2 kg
Material	Precision steel assembly frame and grille, powder-coated
Connectors	Screw type terminals, pluggable
Warranty	5 years

Model

Order Nr.

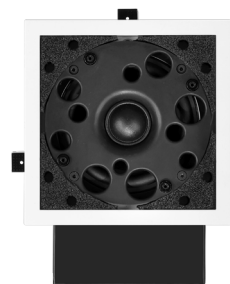
Version

DE 140 Polar White	0102-0013	Round, RAL 9016
DE 140 Polar Black	0102-0009	Round, RAL 9005
DE 140 T Polar White	0102-0014	Round, 100-V versions
DE 140 T Polar Black	0102-0010	Power 7.5/15/30 watts
DE 140 Q Polar White	0102-0015	Square, RAL 9016
DE 140 Q Polar Black	0102-0011	Square, RAL 9005
DE 140 QT Polar White	0102-0016	Square, 100-V versions
DE 140 QT Polar Black	0102-0012	Power 7.5/15/30 watts

Other colours and versions on request.

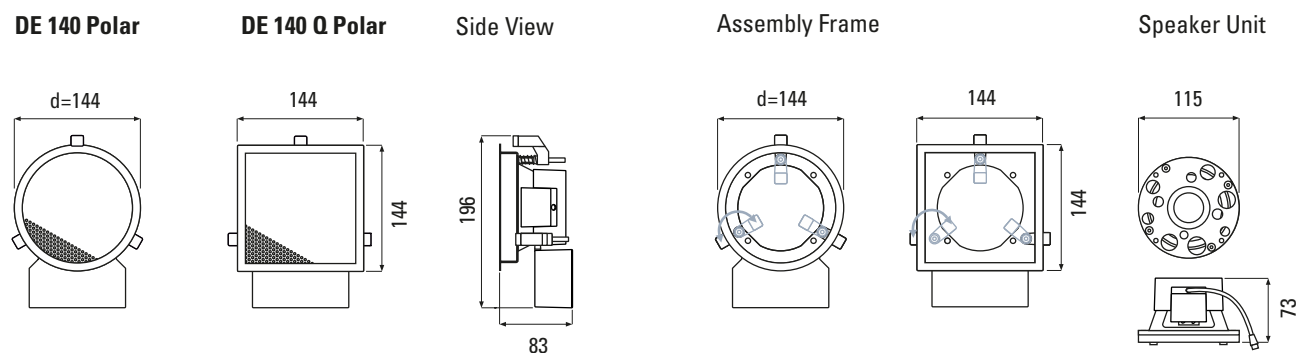


DE 140 Polar without grille








DE 140 Q Polar without grille

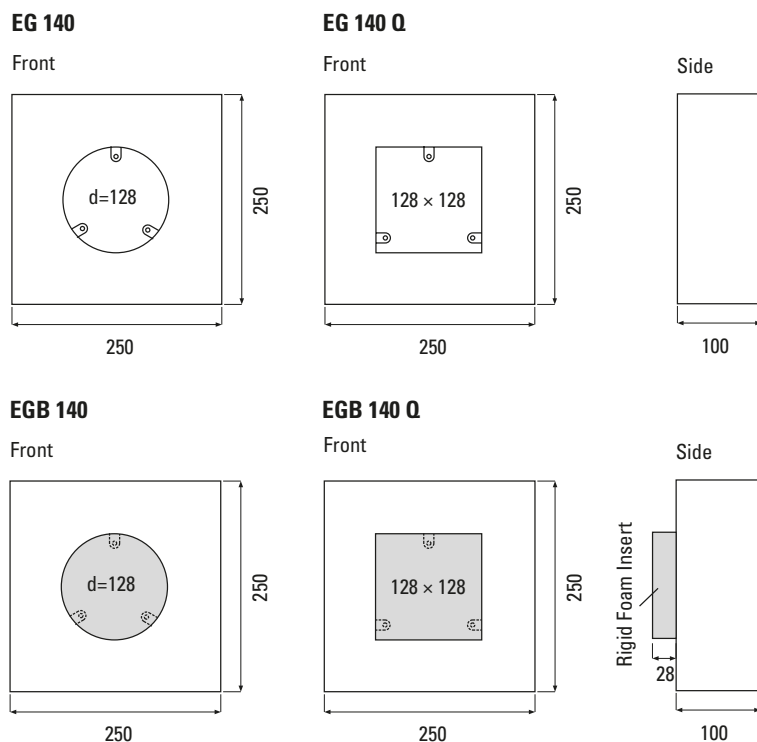
Dimensions



DE 140 Polar / DE 140 Q Polar In-Wall / In-Ceiling Speaker

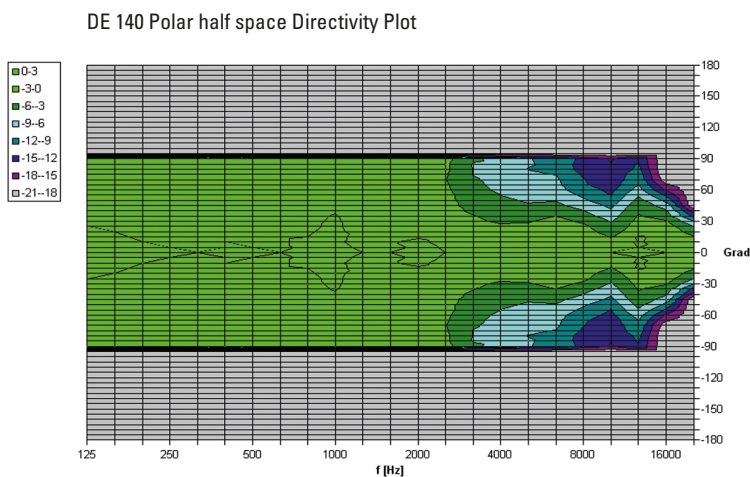
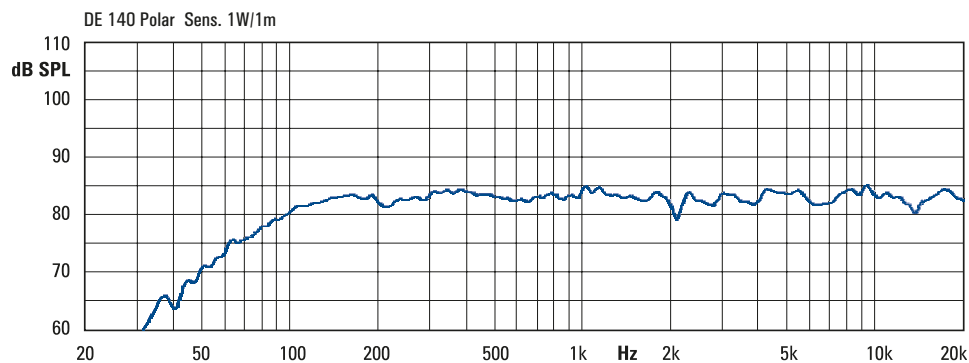
Back Box	Order Nr.	Version
	EG 140 2201-0001	Back box for DE 140, all types, plastic, Dim.: 250 × 250 × 100 mm
	EG 140 Q 2202-0001	Back box for DE 140 Q, all types, plastic, Dim.: 250 × 250 × 100 mm
	EGB 140 2207-0001	Back box for concrete for DE 140, all types, plastic, Dim.: 250 × 250 × 128 mm (incl. rigid foam insert)
	EGB 140 Q 2208-0001	Back box for concrete for DE 140, alle Typen, Kunststoff, Dim.: 250 × 250 × 128 mm incl. rigid foam insert)
	DE-X Tool 0360-0001	Magnetic holder for effortless insertion and removal of front grille

Dimensions

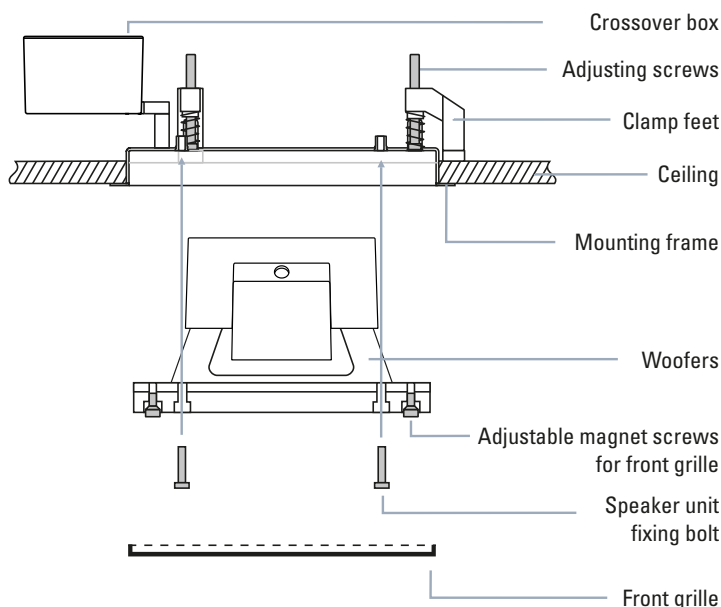


DE 140 Polar / DE 140 Q Polar In-Wall / In-Ceiling Speaker

Measuring Diagrams



Assembly (Ceiling)



Installation Steps:

1. Slice cut out size in drywall surface (in solid walls / ceilings insert built-in cabinet of the EG series).
2. Insert assembly frame with clamp feet and swivel clamp feet outwards.
3. Adjust assembly frame with adjusting screws.
4. Connect chassis to crossover box and adjust.
6. Insert front grille and, where necessary, readjust the height-adjustable holding magnets.