

DE 200 Polar / DE 200 Q Polar In-Wall / In-Ceiling Speaker



Description

This extra-heavy-duty, high-end, in-ceiling speaker with Polar® technology and an elegant installation frame offers precise acoustic reproduction. Thanks to optimum omnidirectional dispersion characteristics, sound is distributed evenly throughout the space, even with just a few speakers. The precise tonal balance of the 6.5" + 1" system ensures clear sound reproduction even at high volumes.

The DE 200 Polar is comprised of three parts. First, the elegant installation frame is mounted in the ceiling or wall. The speaker unit and the magnetic front grille are then installed. This enables reliable installation and retrofitting, even for complicated installation scenarios.

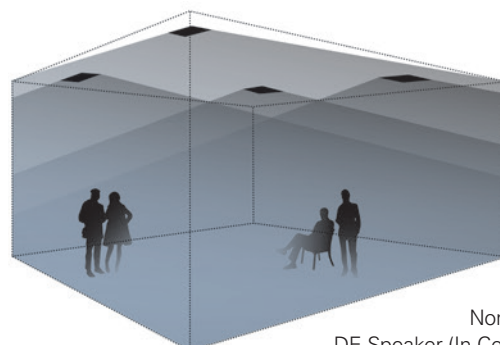
In spaces with different interior designs, the DE 200 Polar can be combined with the DE-X 200 Polar and FZ 180 Polar models to create homogeneous sound systems.

Special Features

- 2-way system with Polar® technology
- 180° dispersion
- Perfect sound distribution with a small number of loudspeakers
- Very linear frequency response
- Small dimensions and installation depth
- 6.5" woofer + 1" dome tweeter
- 120 watts power capacity
- 8 ohms and 100 V versions
- Round or square
- Standard finish: white or black
- Moisture proof

Fields of Application

- Conference rooms
- Exhibitions, trade fairs
- Gastronomy, hotels
- Home audio
- Shops, sales rooms
- Surround systems



Nominal Dispersion
DE-Speaker (In-Ceiling Installation)

DE 200 Polar / DE 200 Q Polar In-Wall / In-Ceiling Speaker

Technical Data

Principle	2-way loudspeaker with Polar® technology
Components	6.5" woofer + 1" dome tweeter
Frequency range	54 Hz – 21 kHz
Impedance	8 ohms
Power capacity	60 watts RMS, 120 watts program
Sensitivity	87 dB SPL (1W@1 m), half-space (flush mounted)
Maximum SPL	108 dB @ 1 m, 100 V version: 102 dB @ 1 m
Nominal dispersion	180°
Dimensions	DE 200 Polar: Ø 192 mm DE 200 Q Polar: 192 × 192 mm
Cutout size	DE 200 Polar: Ø 176 mm DE 200 Q Polar: 176 × 176 mm
Wall thickness	8...30 mm
Installation depth	100 mm
Weight	2.1 kg
Material	Precision steel assembly frame and grille, powder-coated
Connectors	Screw type terminals, pluggable
Warranty	5 years

Model	Order No.	Version
DE 200 Polar White	0104-0053	Round, RAL 9016
DE 200 Polar Black	0104-0037	Round, RAL 9005
DE 200 T Polar White	0104-0054	Round, 100 V versions
DE 200 T Polar Black	0104-0038	Power 7.5/15/30 watts
DE 200 Q Polar White	0104-0055	Square, RAL 9016
DE 200 Q Polar Black	0104-0039	Square, RAL 9005
DE 200 QT Polar White	0104-0056	Square, 100 V versions
DE 200 QT Polar Black	0104-0040	Power 7.5/15/30 watts

Other colours and versions on request.

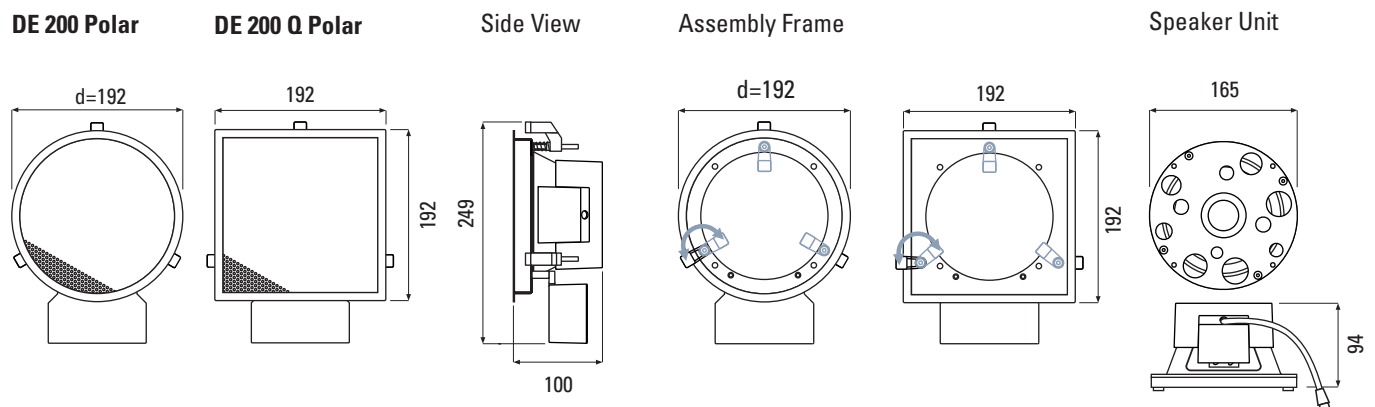


DE 200 Polar without grille








DE 200 Q Polar without grille

Dimensions



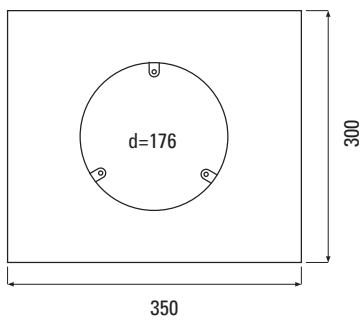
DE 200 Polar / DE 200 Q Polar In-Wall / In-Ceiling Speaker

Back Boxes	Order No.	Version
	EG 200 2203-0001	Back box for DE 200, all types, plastic, Dim.: 350 × 300 × 120 mm
	EG 200 Q 2204-0001	Back box for DE 200 Q, all types, plastic, Dim.: 350 × 300 × 120 mm
	EGB 200 2209-0001	Back box for concrete for DE 200, all types, plastic, Dim.: 350 × 300 × 148 mm, (incl. rigid foam insert)
	EGB 200 Q 2210-0001	Back box for concrete for DE 200 Q, all types, plastic, Dim.: 350 × 300 × 148 mm, (incl. rigid foam insert)
	DE-X Tool 0360-0001	Magnetic holder for effortless insertion and removal of front grille

Dimensions

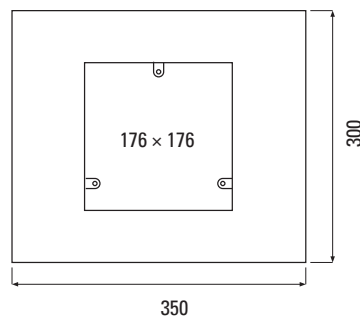
EG 200

Front

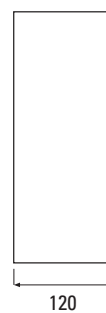


EG 200 Q

Front

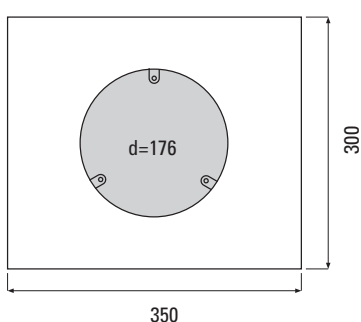


Side



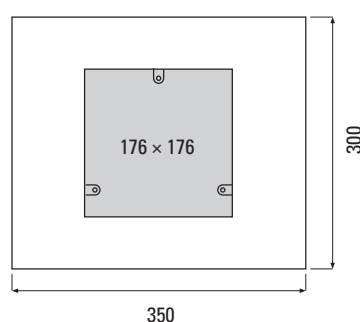
EGB 200

Front

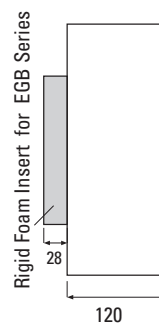


EGB 200 Q

Front



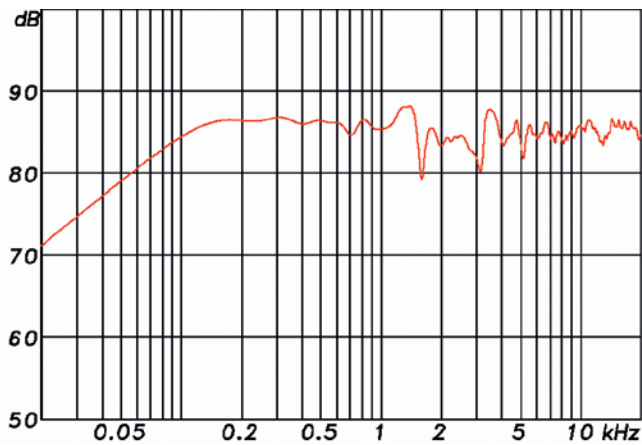
Side



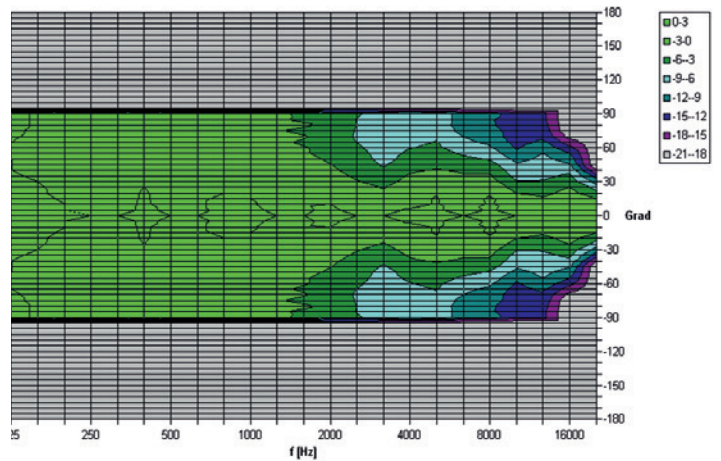
DE 200 Polar / DE 200 Q Polar In-Wall / In-Ceiling Speaker

Measuring Diagrams

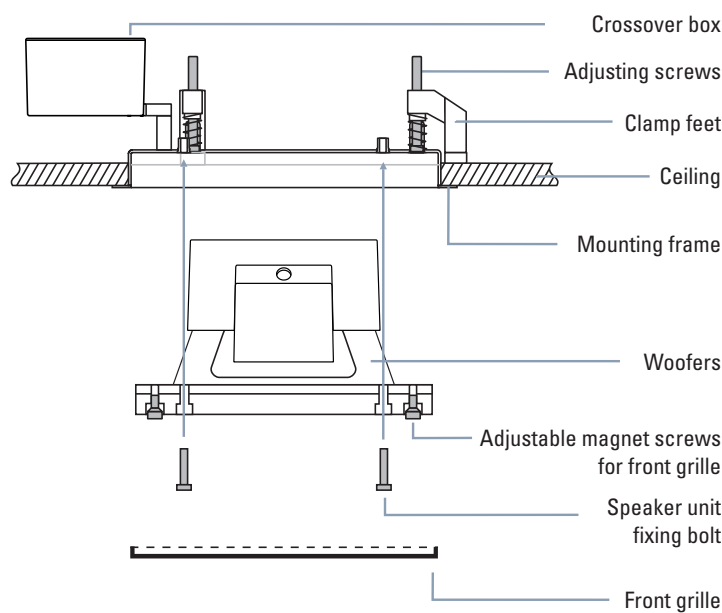
DE 200 Polar Sens. 2,83V/1m: 88 db (100-10k) 53 Hz - 20 kHz (-6 dB) half space



DE 200 Polar half space Directivity Plot



Assembly (Ceiling)



Installation Steps:

1. Slice cut out size in drywall surface (in solid walls / ceilings insert built-in cabinet of the EG series).
2. Insert assembly frame with clamp feet and swivel clamp feet outwards.
3. Adjust assembly frame with adjusting screws.
4. Connect chassis to crossover box and adjust.
6. Insert front grille and, where necessary, readjust the height-adjustable holding magnets.