



DE 300 SUB In-Wall / In-Ceiling Subwoofer

Description

The compact DE 300 SUB subwoofer is designed for installation in walls and ceilings in combination with our EG 300 and EGB 300 back boxes. With its compact installation dimensions, the DE 300 SUB achieves a linear frequency range of 40 Hz to 250 Hz thanks to its precise balance and integrated low-pass filter.

The DE 300 SUB should only be operated in combination with our EG 300 or EGB 300 back boxes. Once the ceiling or wall construction has been completed, including the back box, the elegant installation frame is mounted followed by the speaker unit and the magnetic front grille. This enables reliable installation and retrofitting, even for complicated installation scenarios.

Special Features

- In-wall/in-ceiling subwoofer
- Small dimensions and installation depth
- 2 × 6.5" long excursion driver
- 240 watts power capacity
- Standard finish: white or black
- Moisture proof

Fields of Application

- Conference rooms
- Gastronomy, hotels
- Home audio
- Shops, sales rooms
- Surround systems

Only for use with our back boxes EG 300 or EGB 300!

DE 300 SUB In-Wall / In-Ceiling Subwoofer

Technical Data

Principle	Subwoofer with internal low-pass filter. For use with back box (EG 300 or EGB 300)
Components	2 × 6.5" long excursion driver
Frequency range	40 Hz – 250 Hz
Power capacity	RMS 120 watts, program 240 watts
Sensitivity	83 dB SPL (1 W @ 1 m), half-space (flush-mounted)
Maximum SPL	107 dB @ 1 m
Nominal dispersion	180°
Dimensions	358 × 192 mm
Cutout size	342 × 176 mm
Wall thickness	8 ... 30 mm
Installation depth	100 mm
Material	Precision steel assembly frame and grille, powder-coated
Weight	4.2 kg
Connectors	Screw type terminals, pluggable
Warranty	5 years

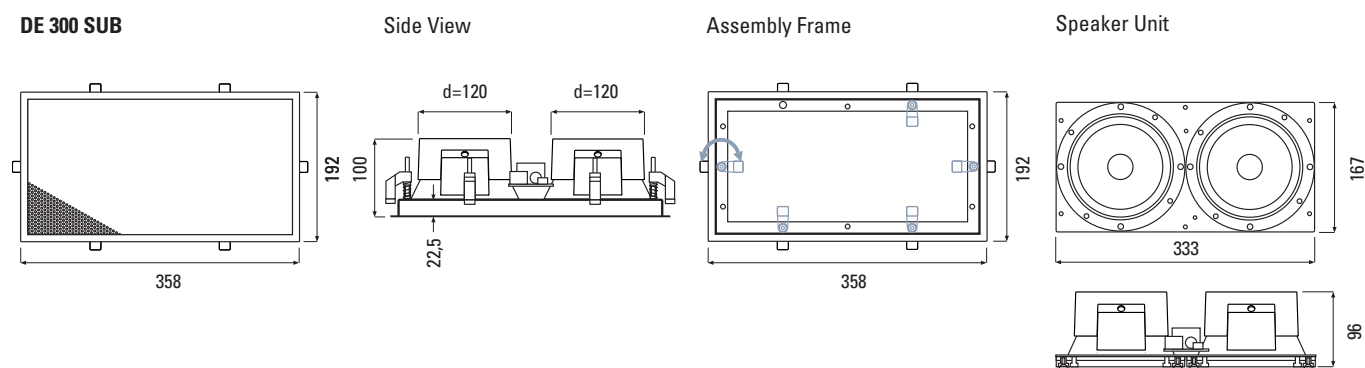
Model	Order No.	Version
DE 300 SUB White	0105-0013	RAL 9016
DE 300 SUB Black	0105-0012	RAL 9005

Other colours and versions on request.






DE 300 SUB without grille

Dimensions



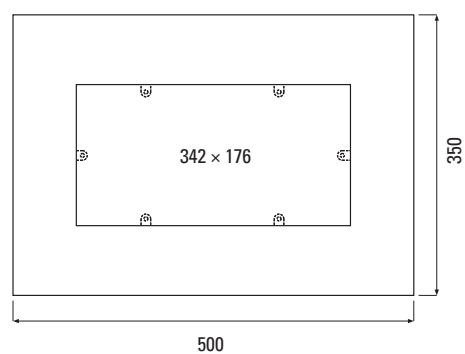
DE 300 SUB In-Wall / In-Ceiling Subwoofer

Back Boxes	Order No.	Version
	EG 300 2205-0001	Back box for DE 300 R Polar, DE 300 CDR and DE 300 SUB Plastic, Dim.: 500 × 350 × 140 mm
	EGB 300 2211-0001	Back box for concrete for DE 300 R Polar, DE 300 CDR and DE 300 SUB, Plastic, Dim.: 500 × 350 × 168 mm (incl. PVC rigid foam)
	DE-X Tool 0360-0001	Magnetic holder for effortless insertion and removal of front grille

Dimensions

EG 300

Front

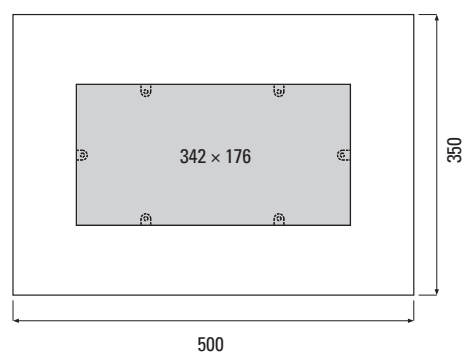


Side

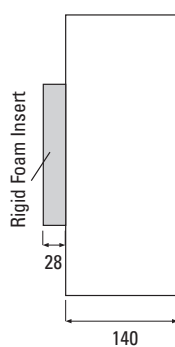


EGB 300

Front



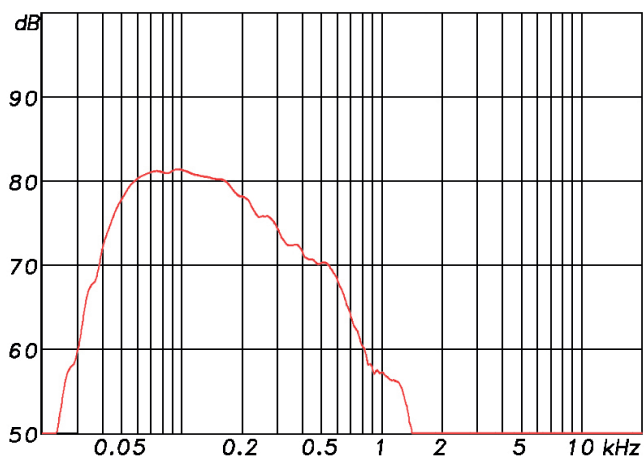
Side



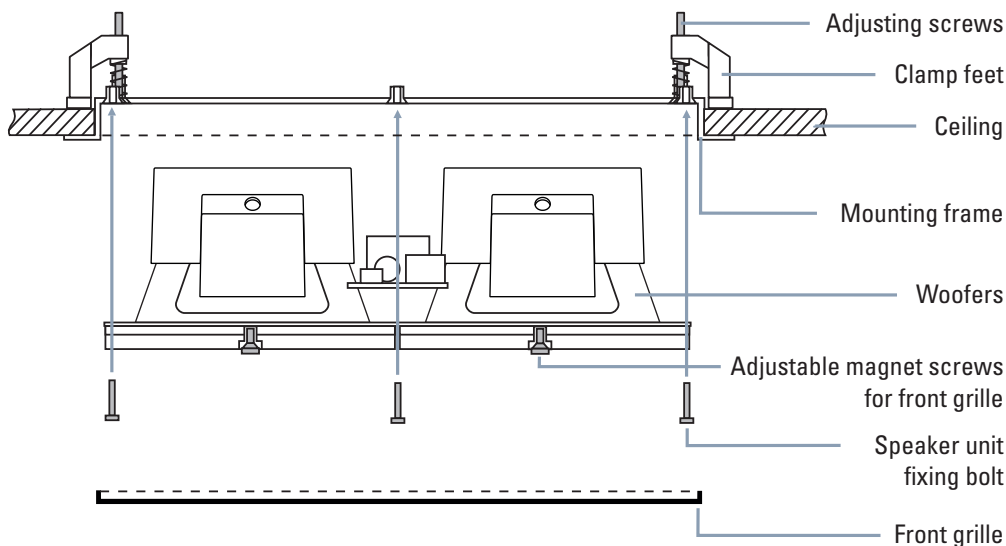
DE 300 SUB In-Wall / In-Ceiling Subwoofer

Measuring diagram

DE 300 SUB Sens. 2,83 V/1m: 90 dB 44 - 300 Hz (-6 dB) half space



Assembly (Ceiling)



Installation steps:

1. Slice cutout size in drywall surface (in massive walls / ceilings insert back box from EG Series).
2. Implement mounting frame with clamp feet, swivel clamp feet outwards.
3. Tighten adjustable screws till frame is fixed.
4. Connect and install speaker unit.
5. Install front grille and if necessary readjust variable magnetic screws.