

DE Plan 200 inside for Invisible Integration Into Furniture and Wall Panels

Description

The DE Plan 200 inside® is a special version of DE Plan 200 designed to be invisibly installed in furniture and wall panels. The speaker is glued onto the backside of furniture or panels made of wood, MDF or similar materials and directly excites through these surfaces. To do this, the recessed mounting area is milled into the rear surface to a wall thickness of 3 mm. The surface is activated without an intermediate membrane, which makes DE Plan 200 inside extremely efficient and gives it an extensive, linear frequency range.

de:shape®: the membrane of the DE Plan 200 inside has an optimized contour with a calculated distribution of distance between the edge and the high frequency driver (patent pending). This results in unprecedented audio performance and extremely accurate sound reproduction.

The elaborately tuned crossover ensures a warm, transparent acoustic pattern. The DE Plan 200 inside offers high-quality music and precise speech reproduction and is hence equally suited for home audio as well as media rooms and gastronomy. A wide dispersion angle of 180° means that sound is distributed evenly throughout the room with just a few speakers.

The reproduction characteristics depend very much on the material in which the speakers are installed and the acoustics of each room. As a result, our system controllers or DSP power amplifiers should always be used to achieve the best sound pattern.



DE plan[®]
inside

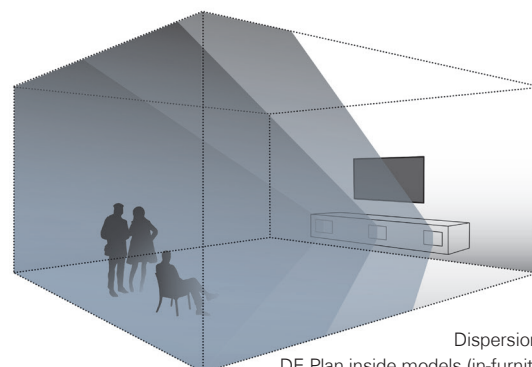
de:shape[®]

Key Features

- Invisible flat transducer
- For integration into furniture and wall panels
- 180° dispersion
- Very linear frequency range
- Small mounting dimension (300 x 240 mm)
- 6" woofer + 1" high frequency driver
- 80 watts power capacity
- 8 ohms

Fields of Application

- Home Audio
- Surround systems
- Media rooms
- Gastronomy, hotels
- Shops, sales rooms
- Exhibitions, trade fairs
- Museums



Dispersion Characteristic
DE Plan inside models (in-furniture installation)

DE Plan 200 inside for Invisible Integration into Furniture and Wall Panels

Technical Data

Principle	2-way flat transducer
Components	6" woofer + 1" high frequency driver
Frequency range	70 Hz – 20 kHz (mounted on a MDF panel with 3 mm thickness in front of the transducer)
Impedance	8 ohms
Power capacity	40 watts RMS, 80 watts program
Sensitivity	83 dB (1 W @ 1 m), depending on the mounting materials
Maximum SPL	101 dB @ 1 m
Nominal dispersion (H × V)	180°
Dimensions	300 × 240 × 72 mm
Recess size	304 × 244 mm, remaining wall thickness in front of the speaker: 3 mm
Installation depth	72 mm
Weight	2.8 kg
Connectors	Screw-type terminals, pluggable
Warranty	5 years

Model

Order No.

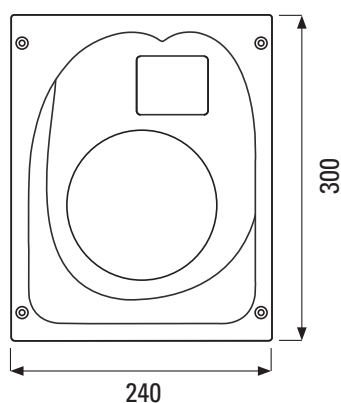
Version

DE Plan 200 inside	0411-0001	Complete with 2C adhesive
---------------------------	-----------	---------------------------

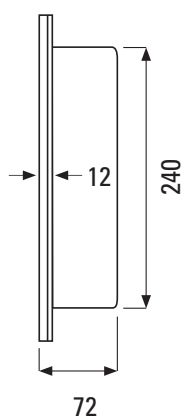
Dimensions

DE Plan 200 inside


Front



Side



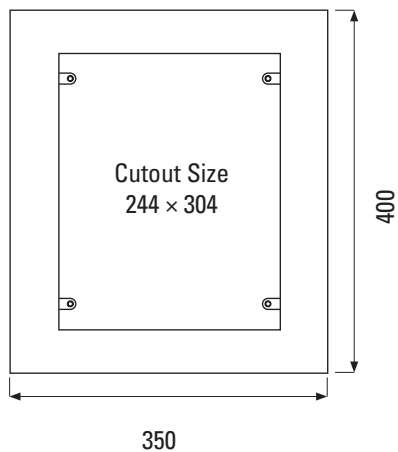
DE Plan 200 inside for Invisible Integration into Furniture and Wall Panels

Back Box	Order No.	Version
	EG Plan 200 2301-0001	Back box, plastic, dim.: 400 × 350 × 100 mm

Dimensions

EG Plan 200

Front



Side

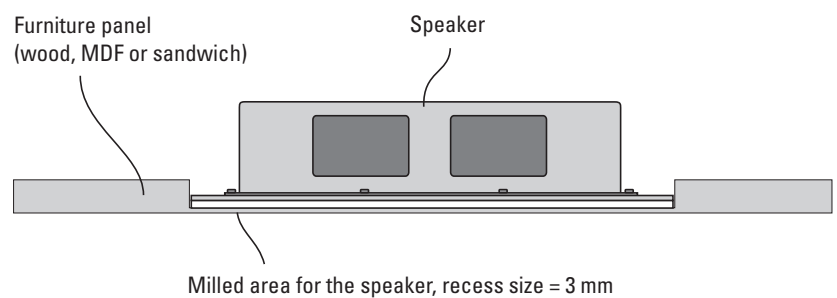


Assembly with DE Plan 400 inside



Application of the 2C adhesive seam Please contact us if you have any questions.

Side View: Installed Speaker



DE Plan 200 inside for Invisible Integration into Furniture and Wall Panels

Diagram

DE Plan 200 inside Sens. @ 2, 83V/1m

