



DE Plan 500 S Invisible Speaker

DEplan®

Description

The DE Plan 500 S is a 2-way, flat transducer with a particularly slim footprint. Once installed, the transducer remains completely invisible in walls or ceilings.

The patented design concept of the DE Plan series enables the flat membrane to be homogeneously deflected. As a result, the DE Plan 500 S has a wide frequency range and is extremely efficient.

de:shape®: the membrane of the DE Plan 500 S has an optimized contour with a calculated distribution of distance between the edge and the high frequency driver (patent pending). This results in unprecedented audio performance and extremely accurate sound reproduction.

Sophisticated crossover tuning gives a warm, clear sound.

The DE Plan 500 S is a front and center loudspeaker designed to be used with subwoofers in home audio systems and media rooms. Its slim design means it can be positioned to the side of or under screens and in areas where space is limited.

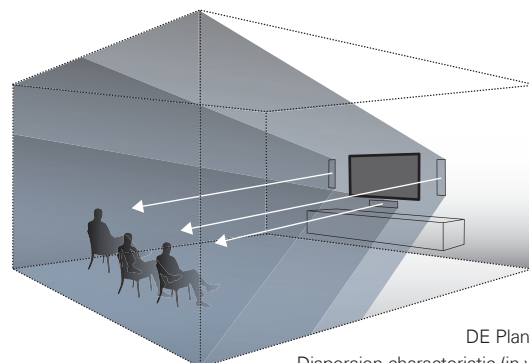
The DE Plan 500 S is mounted facing outwards in hollow non-concrete walls and ceilings. It can also be installed in solid walls and concrete ceilings using an EGB Plan 500 S back box. First, the speaker is mounted, then the glass fiber lining included with the package is placed around the membrane and the area can then be plastered and painted.

Key Features

- Invisible flat transducer
- Slim construction (width 140mm)
- 180° nominal dispersion
- Very linear frequency response
- Small mounting dimension: 540 × 140 mm
- 4 × 3" woofers + 1" high frequency driver
- 160 watts power capacity

Fields of Application

- Gastronomy, hotels
- Home audio
- multiroom systems
- Shops, sales rooms



DE Plan 500 S Speaker
Dispersion characteristic (in-wall installation)

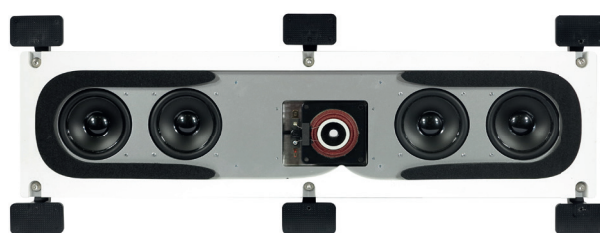
DE Plan 500 S

Invisible Speaker

Technical Data

Principle	2-way flat transducer
Components	4 × 3" woofers + 1" high frequency driver
Frequency range	110 Hz – 20 kHz (2 × paint-coated)
Impedance	8 ohms
Power capacity	80 watts RMS, 160 watts program
Sensitivity	82 dB (1 W@1 m), half-space (flush-mounted)
Maximum SPL	104 dB @ 1 m
Nominal dispersion (H × V)	180°
Dimensions	540 × 140 × 72 mm incl. mounting feet: 560 × 210 mm
Cutout size	544 × 144 mm
Wall /ceiling thickness	10 – 35 mm (incl. back box)
Installation depth	72 mm
Weight	3.8 kg
Connectors	Screw-type terminals, pluggable
Warranty	5 years

Model	Order No.	Version
DE Plan 500 S	0405-0001	Complete incl. assembly frame, glass fiber fabric and adhesive

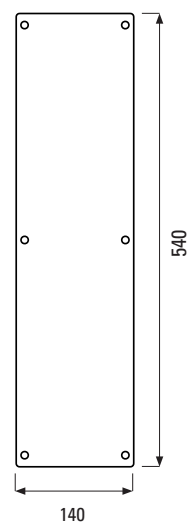


DE Plan 500 S ohne Membran

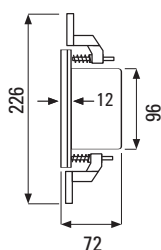
Dimensions

DE Plan 500 S

Front

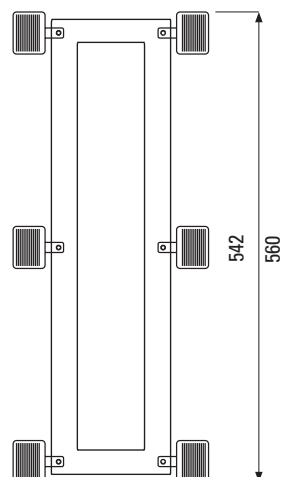


Side

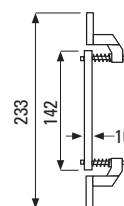


Assembly Frame MR 500




Front



Side

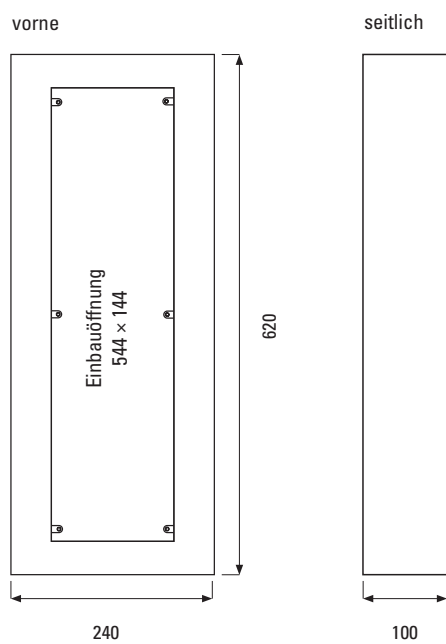


DE Plan 500 S Invisible Speaker

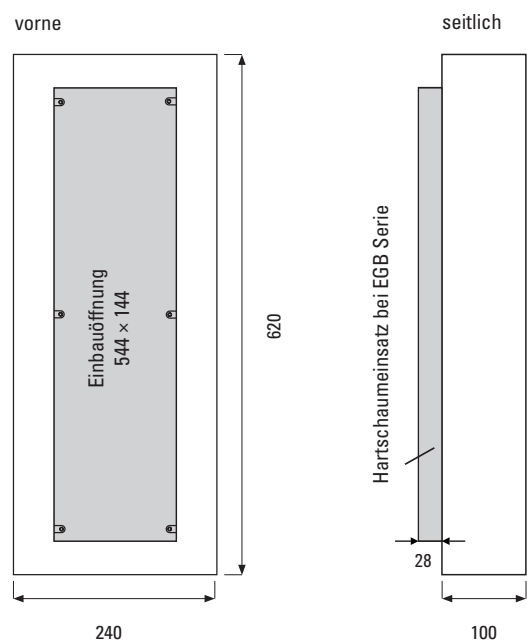
Back Boxes	Order No.	Version
	EG Plan 500 S 2303-0001	Back box, plastic, dim.: 620 × 240 × 100 mm
	EGB Plan 500 S 2307-0001	Back box for concrete, plastic, dim.: 620 × 240 × 128 mm (incl. rigid foam insert)
	MR 500 S 0405-1007	Spare part assembly frame for DE Plan 500 S

Dimensions

EG Plan 500 S



EGB Plan 500 S



DE Plan 500 S Invisible Speaker

Measuring Diagram

DE Plan 500 S Sens. @ 2, 83V/1m

