



DE-X 140 Polar / DE-X 140 Q Polar Trimless In-Wall/In-Ceiling Speaker



Description

The smallest model in the Polar® speaker series is a trimless two-way speaker with compact dimensions and a large linear frequency spectrum. Music and speech are dynamically reproduced with exceptional clarity. Thanks to optimum omnidirectional dispersion characteristics, sound is distributed evenly throughout the space, even with just a few speakers.

The DE-X 140 Polar is comprised of three parts. First, the elegant installation frame is mounted in the ceiling or wall. The speaker unit and the magnetic front grille are then installed. This enables reliable installation and retrofitting, even for complicated installation scenarios.

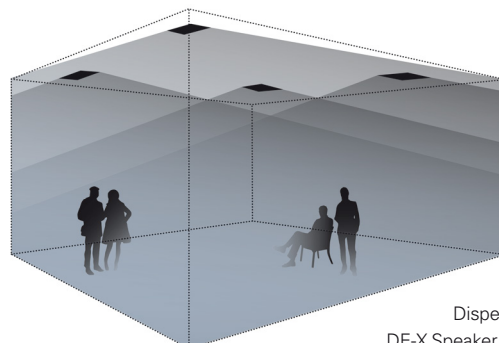
In spaces with different interior designs, the DE-X 140 Polar can be combined with the DE 140 Polar, DA 250 Polar and FZ 140 Polar models to create homogeneous sound systems.

Special Features

- Very unobtrusive appearance (only the flush-mounted front grille is visible)
- Small dimensions and installation depth
- 2-way system with Polar® technology
- 180° dispersion
- Perfect sound distribution with small number of loud-speakers
- Very linear frequency response
- 4" woofer + 1" dome tweeter
- 60 watts power capacity
- 8 ohms and 100 V versions
- Round or square
- Moisture proof

Fields of Application

- Conference rooms
- Home audio
- Exhibitions, trade fairs
- Gastronomy, hotels
- Shops, sales rooms
- Media rooms
- Museums



Dispersion Characteristic
DE-X Speaker (ceiling installation)

DE-X 140 Polar / DE-X 140 Q Polar Trimless In-Wall/In-Ceiling Speaker

Technical Data

Principle	2-way speaker with Polar® technology
Components	4" woofer + 1" dome tweeter
Frequency range	76 Hz – 21 kHz
Impedance	8 ohms
Power capacity	RMS 30 watts, programm 60 watts
Sensitivity	84 dB SPL (1W@1 m), half-space (flush-mounted)
Maximum SPL	102 dB @ 1 m, 100V version: 99 dB @ 1 m
Nominal dispersion	180°
Front grille	Precision steel grille with magnetic fastening, adjustable for flush-mounting
Front grille size	DE-X 140 Polar: Ø 122 mm DE-X 140 Q Polar: 122 × 122 mm
Cutout size	DE-X 140 Polar: Ø 128 mm DE-X 140 Q Polar: 128 × 128 mm
Wall/ceiling thickness	8 ... 30 mm
Installation depth	83 mm
Material	Precision steel assembly frame and grille, powder-coated
Weight	1.2 kg
Connectors	Screw type terminals, pluggable
Warranty	5 years

Model	Order No.	Version
DE-X 140 Polar White	0320-0001	Round, RAL 9016
DE-X 140 T Polar White	0320-0002	100 V version, Power 7.5/15/30 watts
DE-X 140 Q Polar White	0320-0003	Square, RAL 9016
DE-X 140 QT Polar White	0320-0004	100 V version, Power 7.5/15/30 watts

Other colours and versions on request.

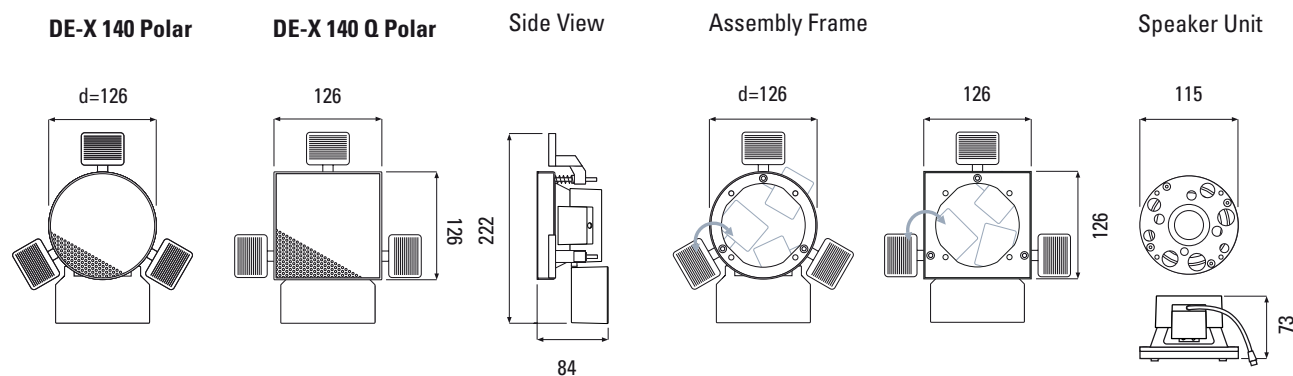


DE-X 140 Polar without grille








DE-X 140 Q Polar without grille

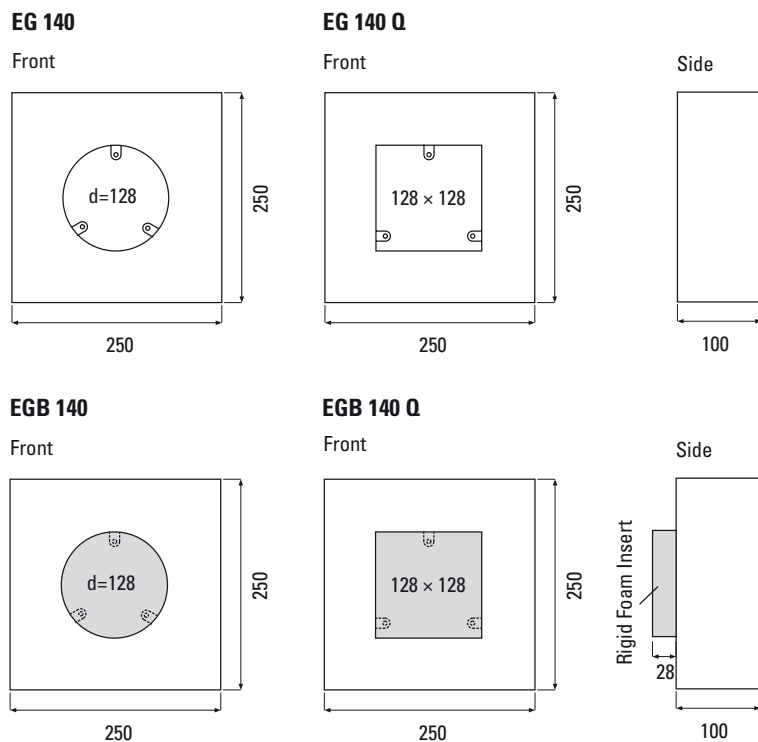
Dimensions



DE-X 140 / DE-X 140 Q Polar Trimless In-Wall/In-Ceiling Speaker

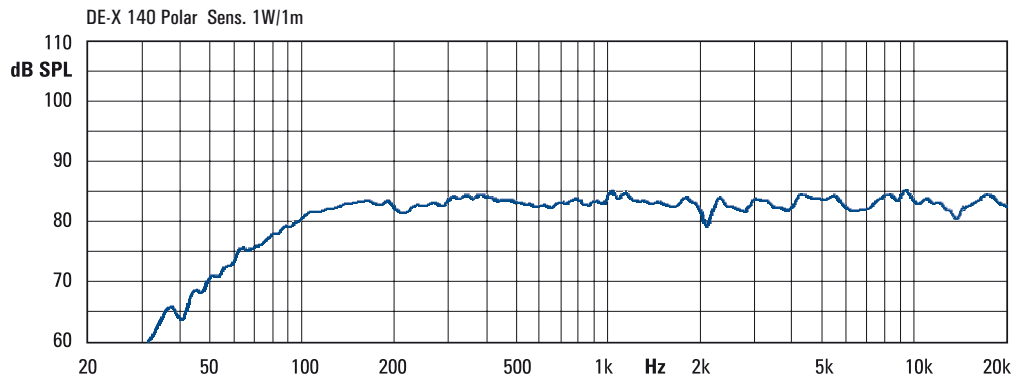
Back Box	Order Nr.	Version
	EG 140 2201-0001	Back box for DE-X 140, all types, plastic, dim.: 250 × 250 × 100 mm
	EG 140 Q 2202-0001	Back box for DE-X 140 Q, all types, plastic, dim.: 250 × 250 × 100 mm
	EGB 140 2207-0001	Back box for concrete for DE-X 140, all types, plastic, Dim.: 250 × 250 × 128 mm (incl. PVC rigid foam)
	EGB 140 Q 2208-0001	Back box for concrete for DE-X 140, all types, plastic, Dim.: 250 × 250 × 128 mm (incl. PVC rigid foam)
	DE-X Tool 0360-0001	Magnetic holder for effortless insertion and removal of front grille

Dimensions

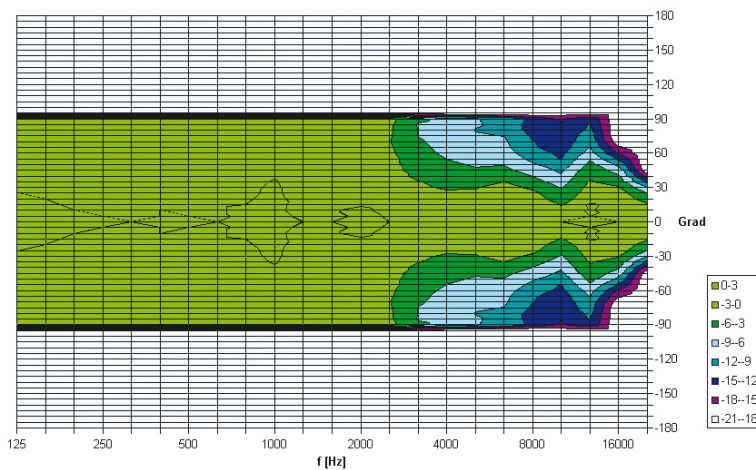


DE-X 140 Polar / DE-X 140 Q Polar Trimless In-Wall/In-Ceiling Speaker

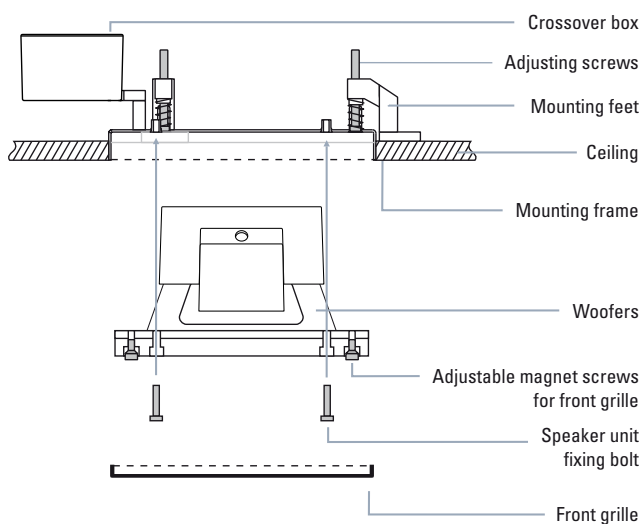
Measuring Diagrams



DE-X 140 Polar half space directivity plot



Assembly (ceiling)



Installation steps:

1. Slice cut out size in drywall surface (in solid walls / ceilings insert built-in cabinet of the EG series).
2. Insert assembly frame with mounting feet and swivel mounting feet outwards.
3. To fasten, screw the quick-build screws through the wall into the mounting feet.
4. Adjust assembly frame with adjusting screws until flush, plaster and paint.
5. Connect and insert chassis.
6. Insert front grille and, where necessary, readjust the height-adjustable holding magnets.