

DE-X 170 / DE-X 170 Q Polar Trimless In-Wall/In-Ceiling Speaker



Description

The DE-X 170 Polar is a heavy-duty, trimless two-way speaker with compact dimensions and a large linear frequency spectrum. Music and speech are dynamically reproduced with exceptional clarity. Thanks to optimum omnidirectional dispersion characteristics, sound is distributed evenly throughout the space, even with just a few speakers.

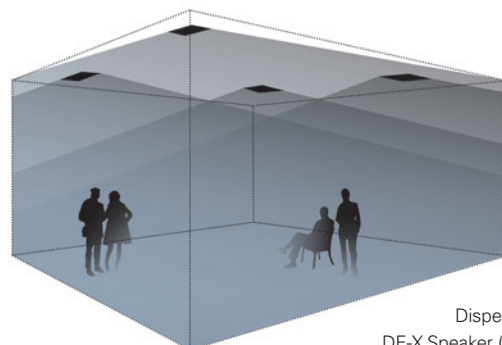
The DE-X 170 Polar is comprised of three parts. First the elegant installation frame is mounted in the ceiling or wall. The speaker unit and the magnetic front grille are then installed. This enables reliable installation and retrofitting, even for complicated installation scenarios.

Special Features

- Very unobtrusive appearance (only the flush-mounted front grille is visible)
- Small dimensions and installation depth
- 2-way system with Polar® technology
- 180° dispersion
- Perfect sound distribution with small number of loud-speakers
- Very linear frequency response
- 5,25" woofer + 1" dome tweeter
- 80 watts power capacity
- 8 ohms and 100 V versions
- Round or square
- Moisture proof

Fields of Application

- Home audio
- Surround systems
- Media rooms
- Conference rooms
- Gastronomy, hotels
- Shops, sales rooms



Dispersion characteristic
DE-X Speaker (Ceiling installation)

DE-X 170 / DE-X 170 Q Polar Trimless In-Wall/In-Ceiling Speaker

Technical Data

Principle	2-way speaker with Polar® technology
Components	5,25" woofer + 1" dome tweeter
Frequency range	60 Hz – 21 kHz
Impedance	8 ohms
Power capacity	40 watts RMS, 80 watts program
Sensitivity	86 dB SPL (1 W@1 m), half-space (flush-mounted)
Maximum SPL	105 dB @ 1 m, 100 V version: 101 dB @ 1 m
Nominal dispersion	180°
Front grille	Precision steel grille with magnetic fastening, adjustable for flush-mounting
Front grille size	DE-X 170 Polar: Ø152 mm DE-X 170 Q Polar: 152 × 152 mm
Cutout size	DE-X 170 Polar: Ø158 mm DE-X 170 Q Polar: 158 × 158 mm
Wall/ceiling thickness	8 ... 30 mm
Installation depth	88 mm
Material	Precision steel assembly frame and grille, powder-coated
Weight	1.3 kg
Connectors	Screw type terminals, pluggable
Warranty	5 years

Model	Order No.	Version
DE-X 170 Polar White	0330-0001	Round, RAL 9016
DE-X 170 T Polar White	0330-0002	100 V version, power 7.5/15/30 watts
DE-X 170 Q Polar White	0330-0003	Square, RAL 9016
DE-X 170 QT Polar White	0330-0004	100 V-Versionen, power 7.5/15/30 watts

Other colours and versions on request.

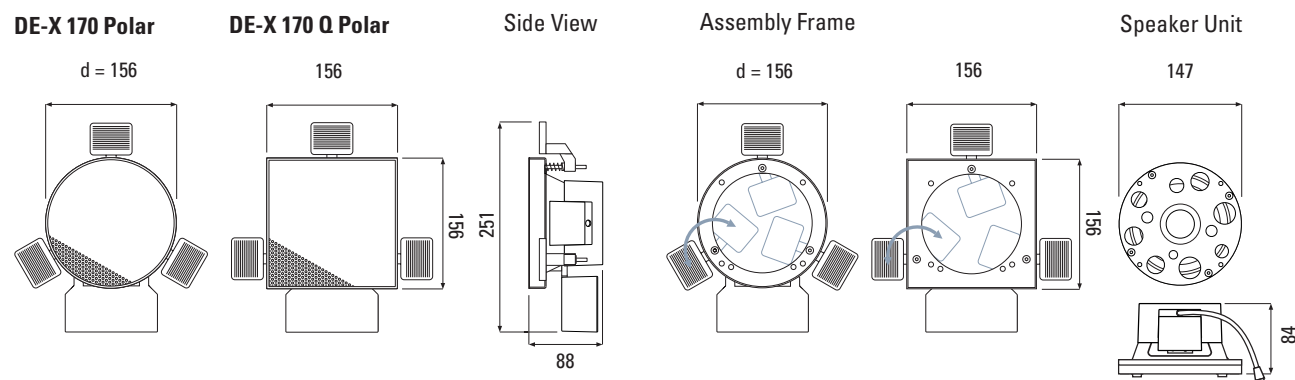


DE-X 170 Polar without grille








DE-X 170 Q Polar without grille

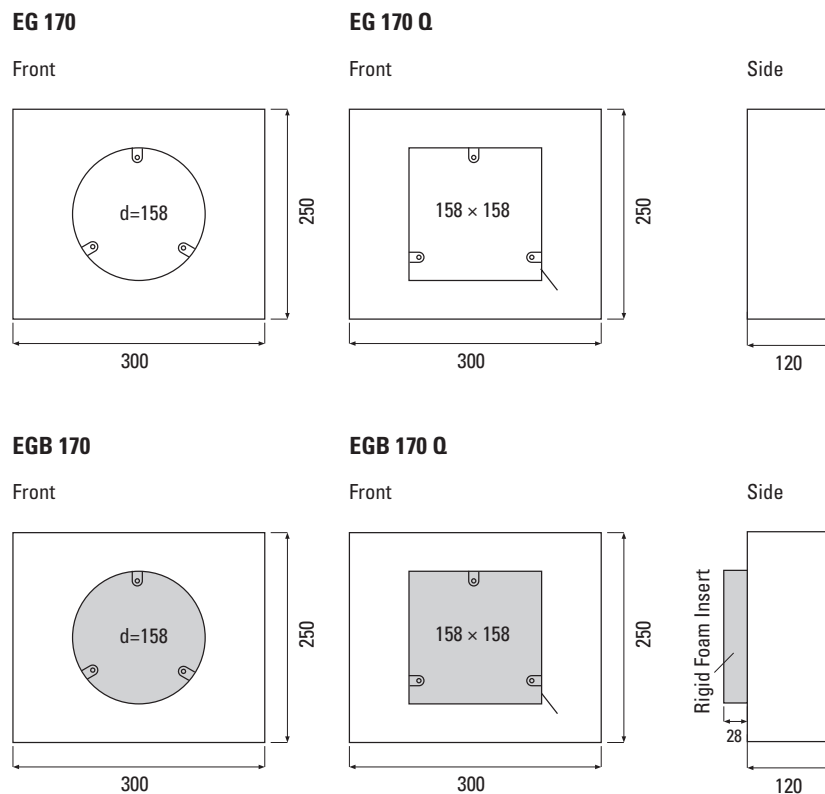
Dimensions



DE-X 170 / DE-X 170 Q Polar Trimless In-Wall/In-Ceiling Speaker

Back Boxes	Order No.	Versions
	EG 170 2218-0001	Back box for DE-X 170, all types, plastic, dim.: 300 × 250 × 120 mm
	EG 170 Q 2219-0001	Back box for DE-X 170, all types, plastic, dim.: 300 × 250 × 120 mm
	EGB 170 2220-0001	Back box for concrete for DE-X 170, all types, plastic, Dim.: 300 × 250 × 148 mm (incl. PVC rigid foam)
	EGB 170 Q 2221-0001	Back box for concrete for DE-X 170 Q, all types, plastic, Dim.: 300 × 250 × 148 mm (incl. PVC rigid foam)
	DE-X Tool 0360-0001	Magnetic holder for effortless insertion and removal of front grille

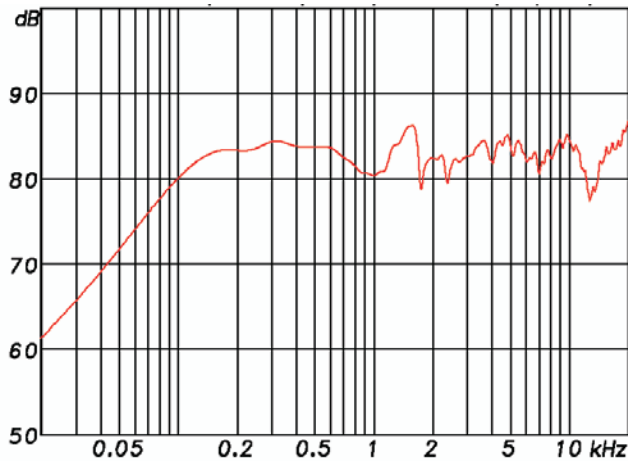
Dimensions



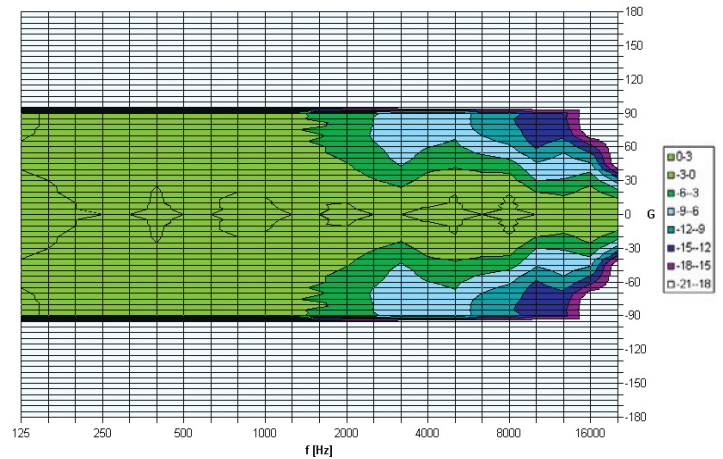
DE-X 170 / DE-X 170 Q Polar Trimless In-Wall/In-Ceiling Speaker

Diagrams

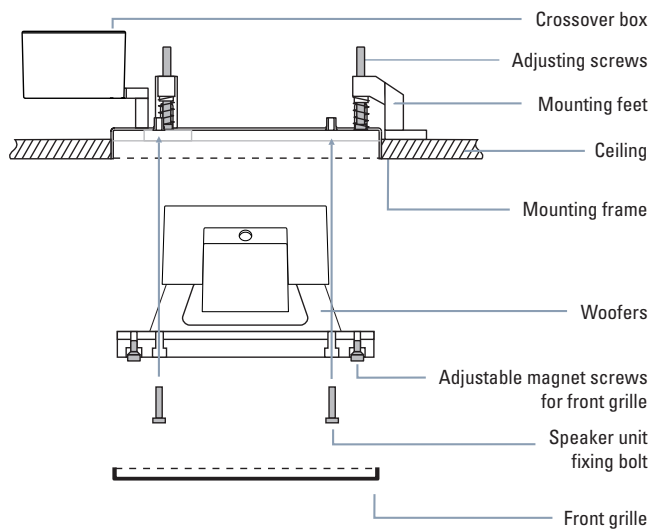
DE-X 170 Polar Sens. 2.83V/1m: 83 db (100 -10k) 76 Hz - 20 kHz (-6 dB) half space



DE-X 170 Polar half space directivity plot



Assembly (ceiling)



Installation steps:

1. Slice cut out size in drywall surface (in solid walls / ceilings insert built-in cabinet of the EG series).
2. Insert assembly frame with mounting feet and swivel mounting feet outwards.
3. To fasten, screw the quick-build screws through the wall into the mounting feet.
4. Adjust assembly frame with adjusting screws until flush, plaster and paint.
5. Connect and insert chassis.
6. Insert front grille and, where necessary, readjust the height-adjustable holding magnets.