

DE-X 200 ST Polar / DE-X 200 STQ Polar Trimless In-Wall / In-Ceiling Speaker



Description

This sophisticated trimless built-in stereo speaker with high power capacity and Polar® technology is designed for operation with amplifiers with stereo output in multi-room systems.

The DE-X 200 ST Polar is especially suitable for smaller spaces or sound zones where one speaker provides sufficient sound distribution. The perfect omnidirectional behavior typical of Polar speakers and the precise tonal balance of the 6.5" + 2 × 1" system ensure a natural, three-dimensional sound experience.

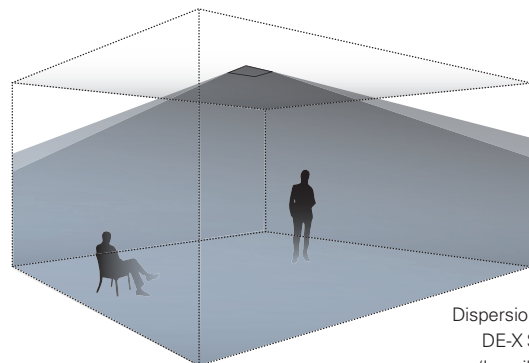
The DE-X 200 ST is comprised of three parts. First, the elegant installation frame is mounted in the ceiling or wall. The speaker unit and the magnetic front grille are then installed. This enables reliable installation and retrofitting, even for complicated installation scenarios.

Special Features

- Very unobtrusive appearance (only the flush-mounted front grille is visible)
- Stereo 2-way system with Polar® technology
- Angled tweeter array
- 180° dispersion
- Very linear frequency response
- Small dimensions and installation depth
- 6.5" woofer + 2 × 0.75" dome tweeters
- 2 × 80 watts power capacity
- Round or square

Fields of Application

- Home audio
- Exhibitions, trade fairs
- Gastronomy, hotels
- Conference rooms
- Shops, sales rooms
- Media rooms



Dispersion characteristic
DE-X Stereo Speaker
(In-ceiling installation)

DE-X 200 ST Polar / DE-X 200 STQ Polar Trimless In-Wall / In-Ceiling Speaker

Technical Data

Principle	2-way stereo speaker with Polar® technology
Components	6.5" woofer + 2 × 0.75" dome tweeters
Frequency range	54 Hz – 21 kHz
Impedance	2 × 8 ohms
Power capacity	2 × 40 watts RMS, 2 × 80 watts program
Sensitivity	86 db SPL (1 W @ 1 m), half-space (flush-mounted)
Maximum SPL	108 dB @ 1 m
Nominal dispersion	180°
Front grille	Precision steel grille with magnetic fastening, adjustable for flush-mounting
Front grille size	DE-X 200 ST Polar: Ø 170 mm DE-X 200 STQ Polar: 170 × 170 mm
Cutout size	DE-X 200 ST Polar: Ø 176 mm DE-X 200 STQ Polar: 176 × 176 mm
Wall / ceiling thickness	8 ... 30 mm
Material	Precision steel assembly frame and grille, powder-coated
Installation depth	100 mm
Weight	2.3 kg
Connectors	Screw type terminals, pluggable
Warranty	5 years

Model	Order No.	Version
-------	-----------	---------

DE-X 200 ST Polar White 0340-0015 Round, RAL 9016

DE-X 200 STQ Polar White 0340-0016 Square, RAL 9016

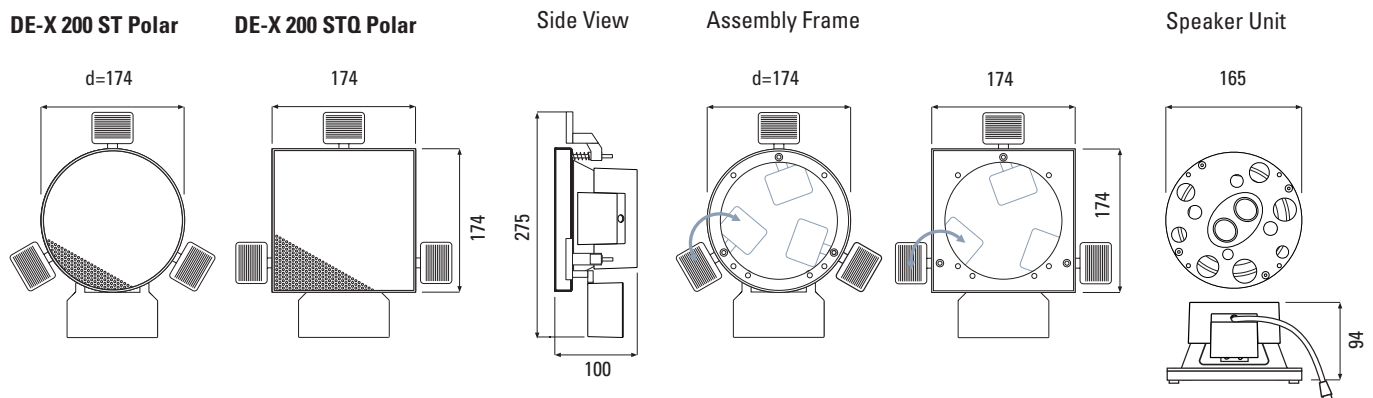
Other colours versions on request.








DE-X 200 ST Polar without grille

DE-X 200 STQ Polar without grille

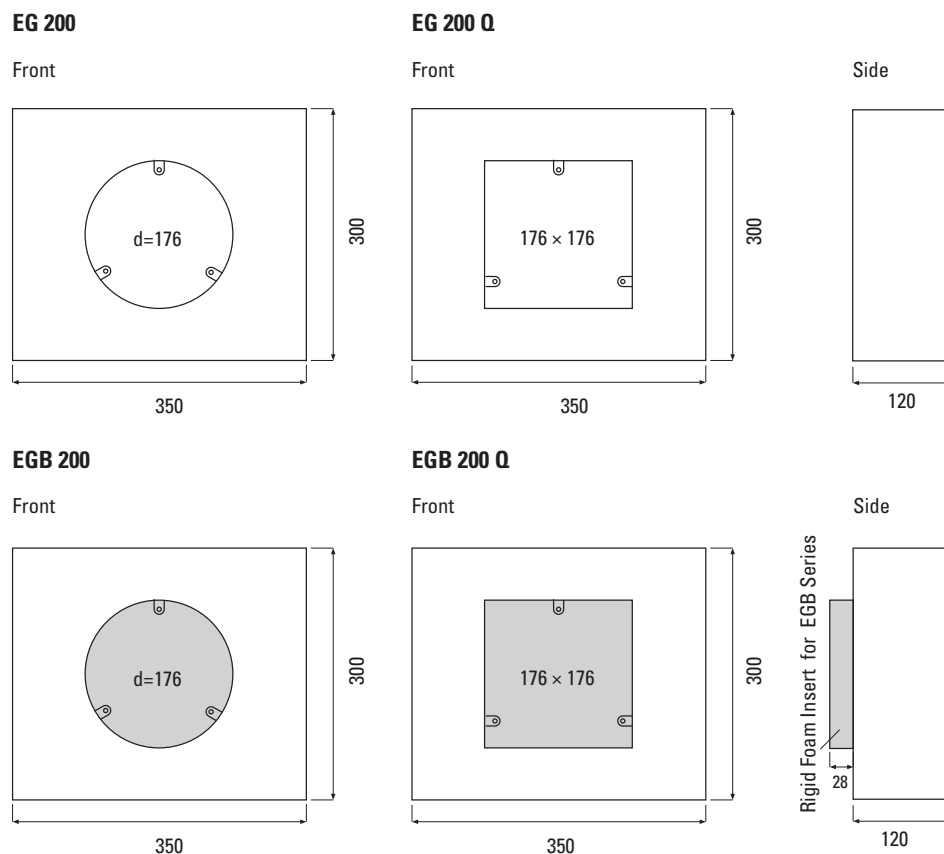
Dimensions



DE-X 200 ST Polar / DE-X 200 STQ Polar Trimless In-Wall / In-Ceiling Speaker

Back Boxes	Order No.	Version
	EG 200 2203-0001	Back box for DE-X 200, all types, plastic, Dim.: 350 × 300 × 120 mm
	EG 200 Q 2204-0001	Back box for DE-X 200 Q, all types, plastic, Dim.: 350 × 300 × 120 mm
	EGB 200 2209-0001	Back box for concrete for DE-X 200, all types, plastic, Dim.: 350 × 300 × 148 mm, (incl. PVC rigid foam)
	EGB 200 Q 2210-0001	Back box for concrete for DE-X 200 Q, all types, plastic, Dim.: 350 × 300 × 148 mm, (incl. PVC rigid foam)
	DE-X Tool 0360-0001	Magnetic holder for effortless insertion and removal of front grille

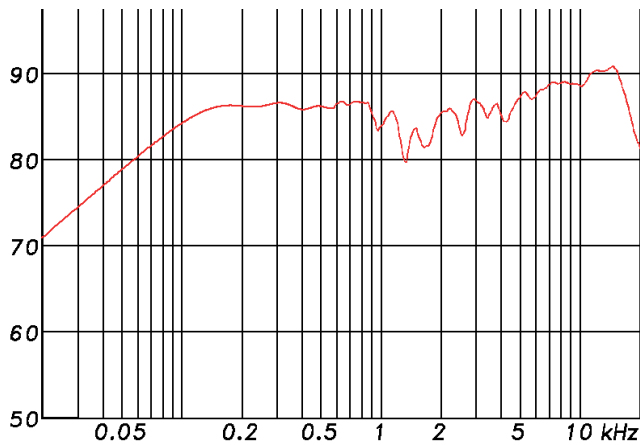
Dimensions



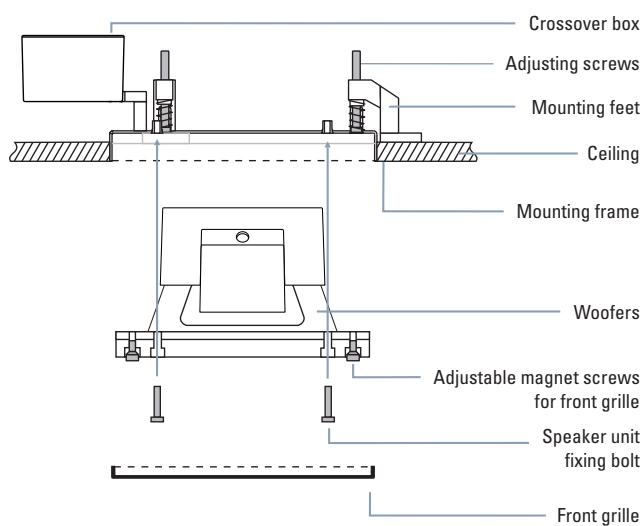
DE-X 200 ST Polar / DE-X 200 STQ Polar Trimless In-Wall / In-Ceiling Speaker

Measuring diagram

DE-X 200 ST Polar Sens. 2,83V/1m: 86 db (100-10k) 54 Hz - 20 kHz (-6 dB) half space



Assembly (ceiling)



Installation steps:

1. Slice cut out size in drywall surface (in solid walls / ceilings insert built-in cabinet of the EG series).
2. Insert assembly frame with mounting feet and swivel mounting feet outwards.
3. To fasten, screw the quick-build screws through the wall into the mounting feet.
4. Adjust assembly frame with adjusting screws until flush, plaster and paint.
5. Connect and insert chassis.
6. Insert front grille and, where necessary, readjust the height-adjustable holding magnets.



6-pole connection with screw type terminals