



DE-X 300 FR Trimless In-Ceiling Speaker with -35° Downward-Facing Beam Direction

Description

The trimless DE-X 300 FR in-ceiling speaker features -35° downward-facing sound dispersion and has been specifically developed as a front speaker (L, R, center) that does not obstruct the line of sight in home audio systems and media spaces.

Thanks to the angled arrangement of two 5.25" low-mid drivers and a 1" tweeter plus waveguide, the DE-X 300 FR generates a main directional axis of -35° (vertical).

The precise balance and the dispersion angle of 80° enable clear sound reproduction and exceptional speech intelligibility.

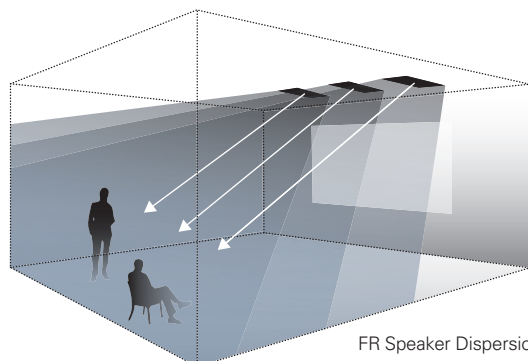
The DE-X 300 FR is comprised of three parts. First, the elegant installation frame is mounted in the ceiling or wall. The speaker unit and the magnetic front grille are then installed. This enables reliable installation and retrofitting, even for complicated installation scenarios.

Special Features

- Very unobtrusive appearance (only the flush-mounted front grille is visible)
- 3-way in-ceiling front speaker
- Beam direction: -35° downwards
- 80° dispersion
- High speech intelligibility
- 5.25" woofer + 5.25" low-mid woofer + 1" tweeter waveguide
- 160 watts power capacity, 4 ohms
- Very linear frequency response
- Small dimensions and installation depth
- Moisture proof

Fields of Application

- Home Audio
- Gastronomy, hotels
- Conference rooms
- Shops, sales rooms
- Media rooms
- Surround systems



FR Speaker Dispersion characteristic
(In-Ceiling Installation – left, right, centre)

DE-X 300 FR

In-Ceiling Speaker with 35° Downward-Facing Beam Direction

Technical Data

Principle	3-way in-ceiling front speaker
Components	5.25" woofer + 5.25" low-mid woofer + 1" tweeter waveguide
Frequency range	57 Hz – 21 kHz
Impedance	4 ohms
Power capacity	80 watts RMS, 160 watts program
Sensitivity	87 dB SPL (1W@1 m), half-space (flush-mounted)
Maximum SPL	109 dB @ 1 m
Nominal dispersion	80°, beam direction -35°
Front grille	Precision steel grille with magnetic fastening, adjustable for flush-mounting
Front grille size	336 × 170 mm
Cutout size	342 × 176 mm
Wall/ceiling thickness	8 ... 30 mm
Material	Precision steel assembly frame and grille, powder-coated
Installation depth	150 mm
Weight	4.2 kg
Connectors	Screw type terminals, pluggable
Warranty	5 years

Model	Order No.	Version
-------	-----------	---------

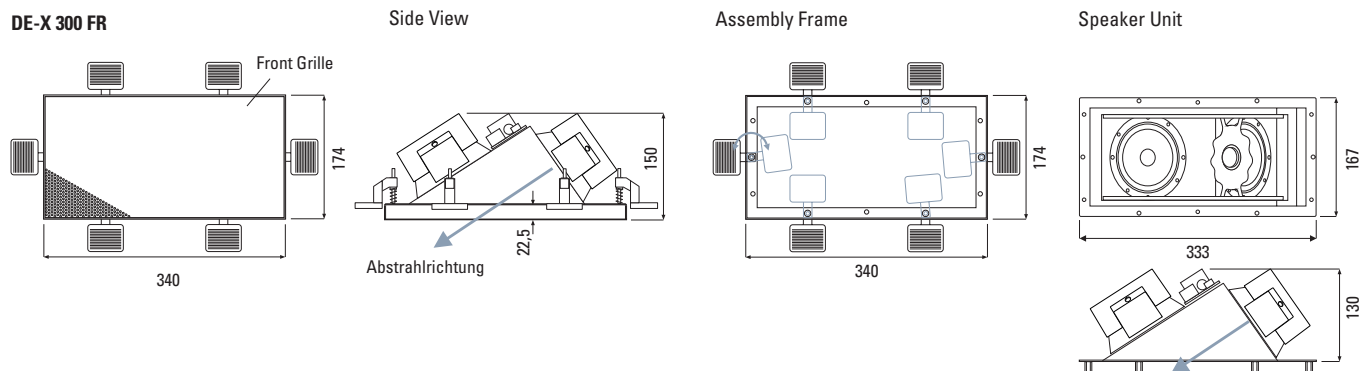
DE-X 300 FR White 0350-0002 RAL 9016

Other colours and versions on request.






DE-X 300 FR without grille

Dimensions



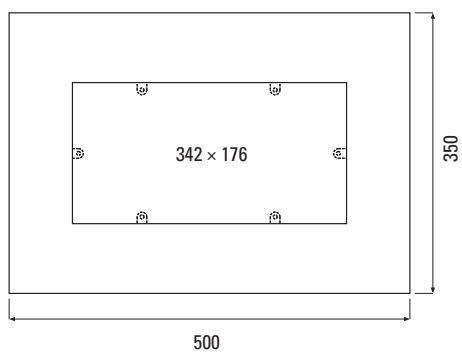
DE-X 300 FR In-Ceiling Speaker with 35° Downward-Facing Beam Direction

Back Boxes	Order No.	Version
	EG 300 FR 2206-0001	Back box for DE-X 300 FR, plastic, dim.: 500 × 350 × 180 mm
	EGB 300 FR 2212-0001	Back box for concrete for DE-X 300 FR, plastic, dim.: 500 × 350 × 208 mm (incl. PVC rigid foam)
	DE-X Tool 0360-0001	Magnetic holder for effortless insertion and removal of front grille

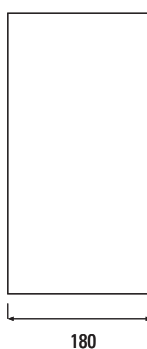
Dimensions

EG 300 FR

Front

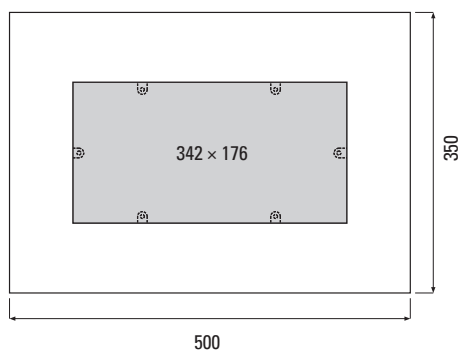


Side

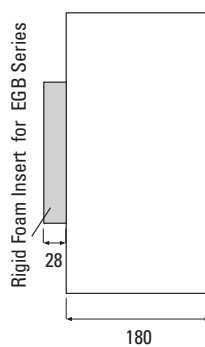


EGB 300 FR

Front



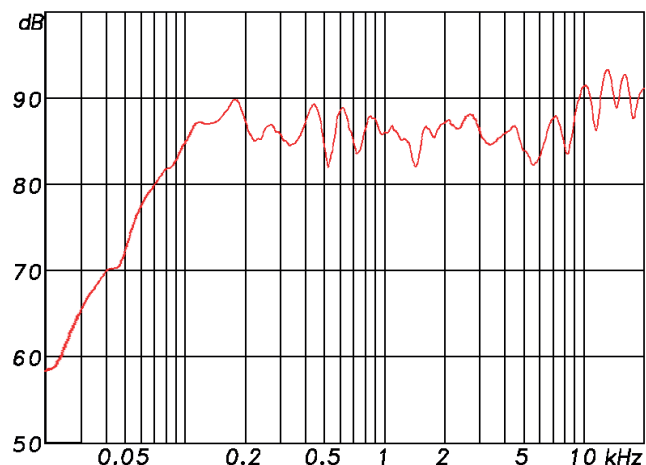
Side



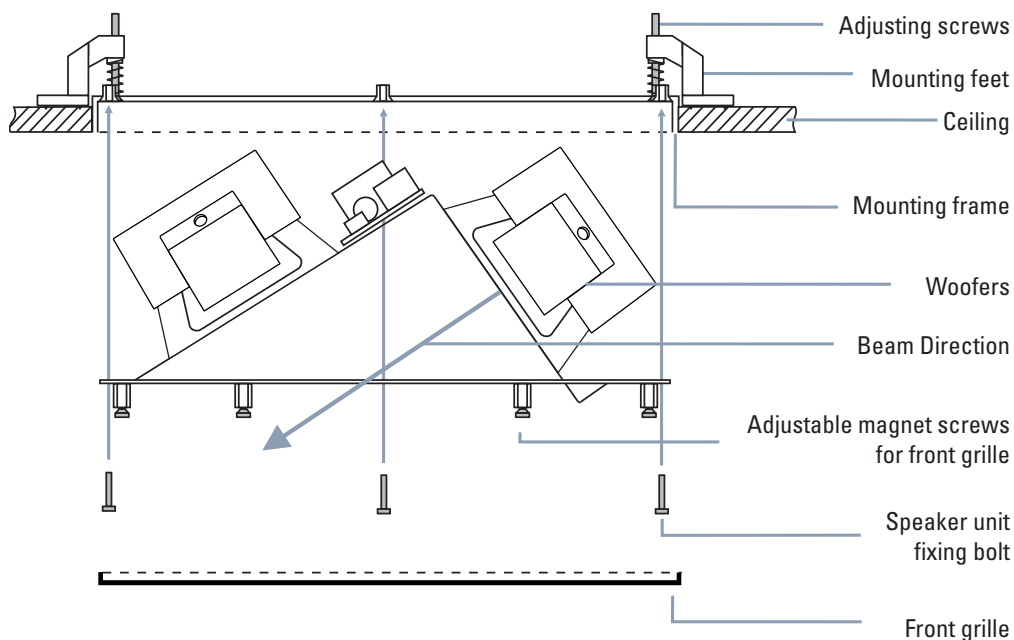
DE-X 300 FR In-Ceiling Speaker with 35° Downward-Facing Beam Direction

Measuring Diagram

DE-X 300 FR Sens. 2,83 V/1m: 87 dB, 57 - 20000 Hz (-6 dB) half space



Assembly (ceiling)



Installation steps:

1. Slice cut out size in drywall surface (in solid walls / ceilings insert built-in cabinet of the EG series).
2. Insert assembly frame with mounting feet and swivel mounting feet outwards.
3. To fasten, screw the quick-build screws through the wall into the mounting feet.
4. Adjust assembly frame with adjusting screws until flush, plaster and paint.
5. Connect and insert chassis.
6. Insert front grille and, where necessary, readjust the height-adjustable holding magnets.