



FZ 110 Installation Speaker

Description

The FZ 110 is a general-purpose small cylindrical installation speaker with an electronically linearized 3" full-range speaker. It can be suspended from a ceiling or mounted on a ceiling or a wall using the WH 110 I-bracket.

The FZ 110 is a visually interesting alternative, particularly in sound systems where built-in speakers cannot be used for architectural reasons.

The FZ 110 can be easily combined with other types of speakers thanks to its neutral sound characteristics.

For high-quality music reproduction, we recommend combining the FZ 110 with SUB 20 or SUB 40 subwoofers.

Key Features

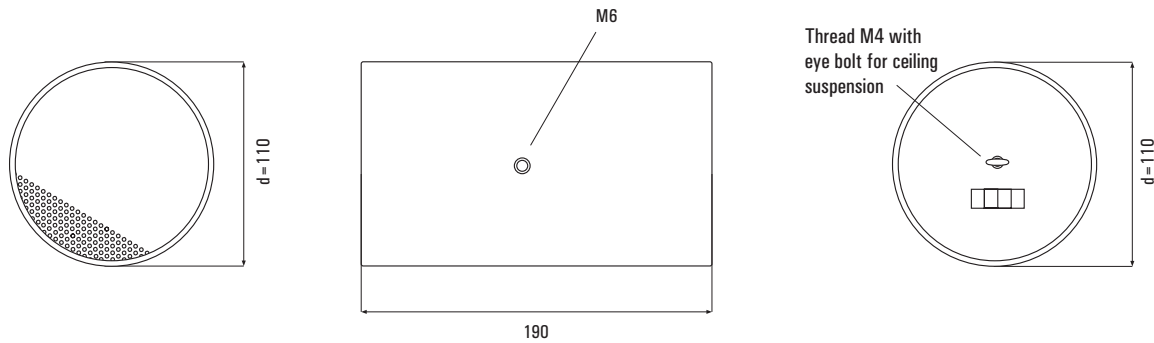
- Cylindrical design
- 3" full-range speaker
- Electronic frequency response linearization
- 40 watts power capacity
- 8-ohm and 100-V versions
- Standard models white and black
- Suitable for humid rooms

Fields of Application

- Media rooms
- Gastronomy, hotels
- Shops, sales rooms
- Exhibitions, trade fairs
- Museums

FZ 110 Installation Speaker

Dimensions

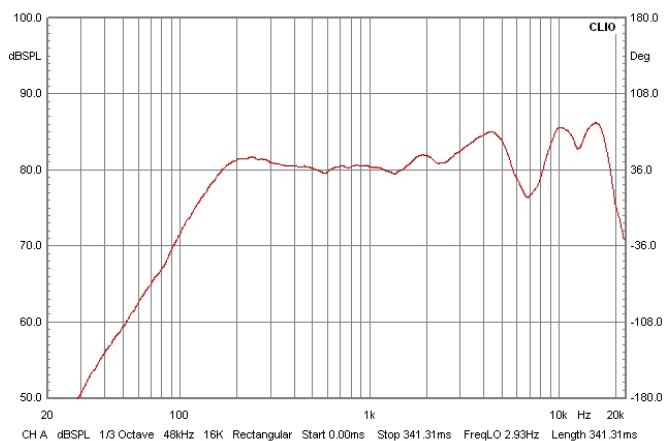


Technical Data

Principle	Cylindrical full-range speaker, electronically linearized
Components	3" full-range driver
Frequency range	110 Hz – 19 kHz
Impedance	8 ohms
Power capacity	20 watts RMS, 40 watts program
Sensitivity	83 dB (1 W @ 1 m)
Maximum SPL	96 dB @ 1 m 100 V version: 93 dB @ 1 m
Nominal dispersion	120°
Dimensions	Ø 110 mm, l = 190 mm
Weight	1.0 kg
Fastening points	Suspension point at back, threaded insert M 6 on the side for l-bracket
Connectors	Screw-type terminals, pluggable
Warranty	5 years

Measuring Diagram

FZ 110 Frequency response (full space)



Model	Order-No.	Version
FZ 110 White	0601-0001	RAL 9016
FZ 110 Black	0601-0002	RAL 9005
FZ 110 T White	0601-0003	100 V versions
FZ 110 T Black	0601-0004	Power 2.5/5/10 watts

Other colours and models on request

Accessories	Order-No.	Version
WH 110 White	7109-0001	L-bracket for FZ 110, with assembly plate, rotatable and pivotable, incl. safety rope, RAL 9016
WH 110 Black	7109-0002	L-bracket for FZ 110, with assembly plate, rotatable and pivotable, incl. safety rope, RAL 9016
SR 300	7109-0003	Stainless steel rope for pendant mounting, length 3 m, thickness 1 mm, one side with loop

Dimensions

WH 110 l-bracket

