



FZ 140 Polar Cylindric 2-Way Speaker

Description

The FZ 140 Polar is an elegant 2-way speaker system in a cylindrical cabinet with Polar® technology that delivers balanced dispersion characteristics. Due to the optimized new cabinet design with passive radiators the FZ 140 Polar ensures excellent low-frequency characteristics.

The speaker can be used to distribute sound evenly throughout rooms in outstanding quality even with just a few speaker systems and without subwoofers.

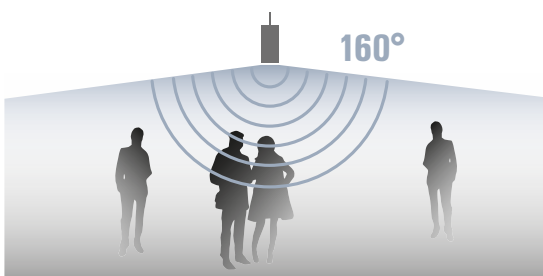
The FZ 140 Polar can either be suspended from a ceiling or installed using our WH 140 I-bracket.

Key Features

- 2-way system with Polar® technology and passive radiator
- 160° dispersion angle
- Perfect sound distribution with small number of loudspeakers
- 4" bass, 1" dome tweeter + 4" passive radiator
- 60 watts power capacity
- 8-ohm and 100-V versions
- Standard models white and black
- Suitable for humid rooms

Fields of Application

- Home Audio
- Media rooms
- Gastronomy, hotels
- Shops, sales rooms
- Exhibitions, trade fairs
- Museums

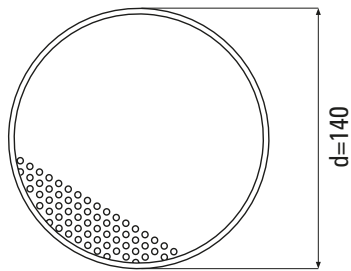


Balanced dispersion characteristics even with just a few speaker systems.

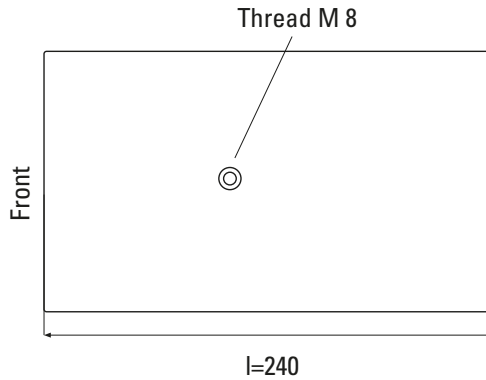
FZ 140 Polar Cylindric 2-Way Speaker

Dimensions FZ 140 Polar

Front

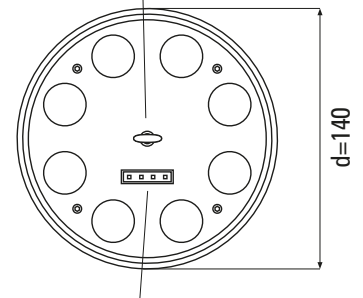


Side



Rear

Thread M 5 with Eye Bolt
for ceiling suspension



Technical Data

Principle	Cylindric 2-way speaker with Polar technology
Components	4" driver + 1" dome tweeter + 4" passive radiator
Frequency range	55 Hz – 20 kHz
Impedance	8 ohms
Power capacity	30 watts RMS, 60 watts program
Sensitivity	83 dB (1W@1m)
Maximum SPL	101 dB @ 1 m; 100 V version: 98 dB @ 1 m
Nominal dispersion	160°
Dimensions	Ø 140 mm, l = 240 mm
Weight	1.8 kg
Fastening points	Suspension point at rear M 5 with eye bolt, threaded insert M 8 laterally for optional wall mount WH 140
Connectors	Screw-type terminals, pluggable
Warranty	5 years

Model

Order-No.

Version

FZ 140 Polar White	0602-0001	RAL 9016
FZ 140 Polar Black	0602-0002	RAL 9005
FZ 140 T Polar White	0602-0003	100 V-Version,
FZ 140 T Polar Black	0602-0004	Power 7.5/15/30 watts

Other models and versions on request.

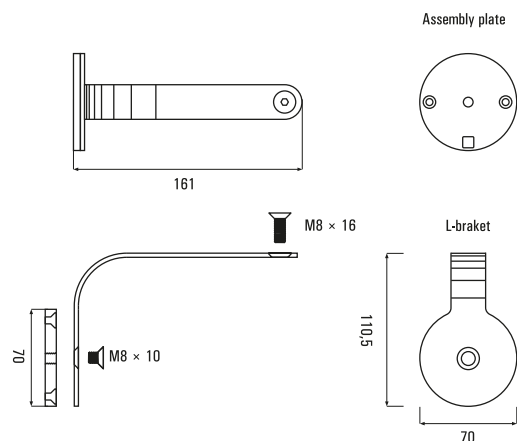
Accessories

Order-No.

Version

WH 140 White	7109-0004	L-bracket for FZ 140, with assembly plate, rotatable and pivotable, incl. safety rope, RAL 9016
WH 140 Black	7109-0005	L-bracket for FZ 140, with assembly plate, rotatable and pivotable, incl. safety rope, RAL 9005
SR 300	7109-0003	Stainless steel rope for pendant mounting, length 3 m, thickness 1 mm, one side with loop

Dimensions Wall-Mount WH 140



FZ 140 Polar Cylindric 2-Way Speaker

Measuring Diagram

