

SUB 40 FA / SUB 40 FA DANTE

Ultra-flat Subwoofer



Description

The SUB 40 FA is an ultra-flat active subwoofer with DSP and 320 watts power capacity for wall and ceiling assembly.

The subwoofer can be configured with our LB CONTROL App and controlled and monitored via network commands.

Two specially developed flat-membrane subwoofer chassis and three passive membranes in one bandpass cabinet deliver maximum bass levels in an ultra-compact design.

It offers a linear frequency range from 43-110 Hz (-3 dB) and a power capacity of 320 watts.

With a minimal mounting depth of only 100 mm, the SUB 40 FA can be unobtrusively mounted on a wall or integrated into drywalls and wall paneling.

In the case of ceiling mounting, the SUB 40 FA can either be assembled directly with the ceiling bracket or by means of cord suspension. The SUB 40 FA is delivered with mounts for wall and ceiling installation.

Key Features

- Aktive Bandpass Subwoofer with DSP
- Compact design
- 2 x 6.5" long excursion drivers + 3 x 6,5" passive membranes
- 320 watts power capacity
- XLR und Cinch Inputs
- Configuration via LB CONTROL App
- Controlling and monitoring via network commands
- Optional: DANTE Interface
- Incl. wall and ceiling mounts
- Standard finish: white or black

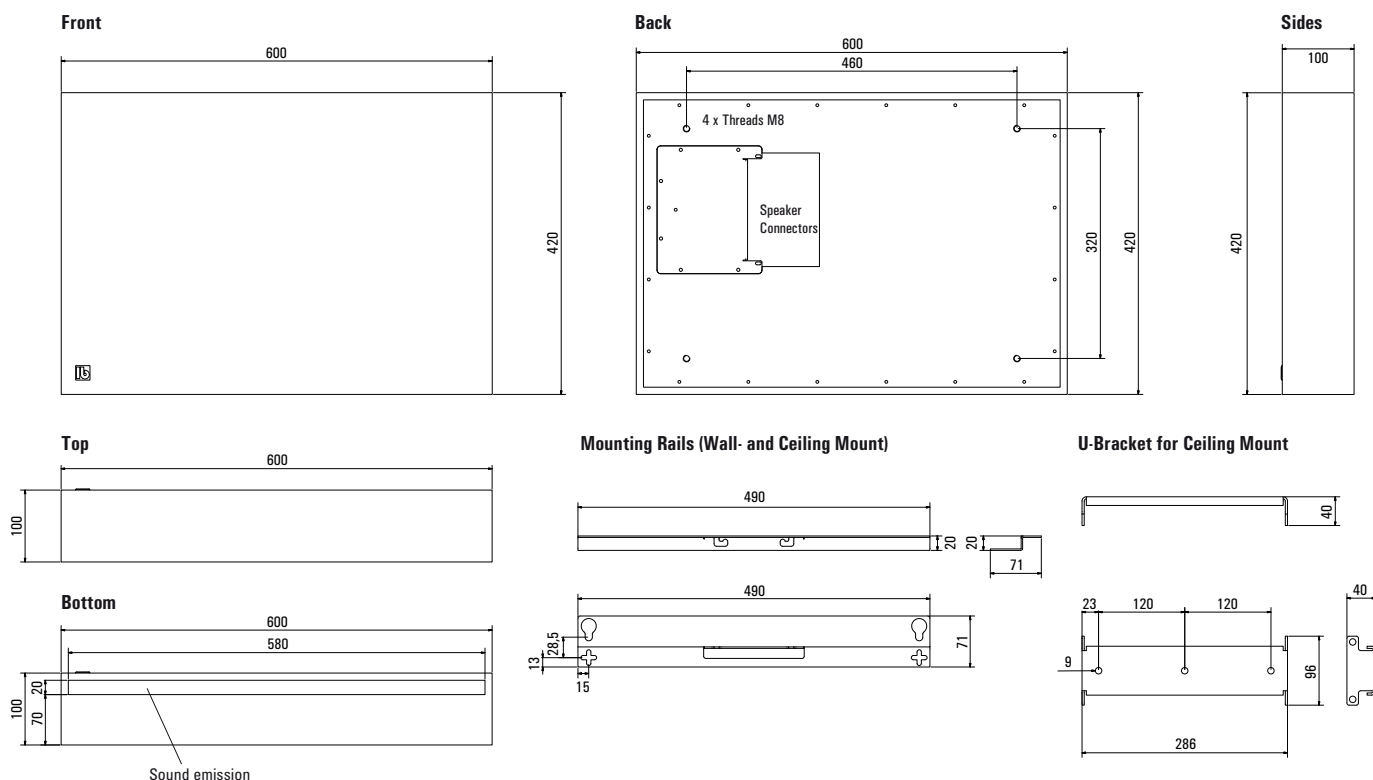
Fields of Application

- Home audio
- Surround systems
- Media rooms
- Conference rooms
- Gastronomy, hotels

SUB 40 FA / SUB 40 FA DANTE

Ultra-flat Subwoofer

Dimensions



Technical Data

Principle	Bandpass subwoofer with passive membranes
Components	2 x 6,5" long excursion driver + 3 x 6,5" passive
Frequency range	40...150 Hz, 43 ... 110 Hz (-3dB)
Impedance	10kOhms
Power capacity	320 watts
Dynamic range	> 105 dB
Software	LB CONTROL App
DSP	32 Bit, 48 kHz
Latency	0,64 ms
DSP Functions	10 fully parametric filters in the input, high pass, low pass, compressor, limiter, delay, multiband limiter, 40 presets, auto on/off (sleep mode)
Max. Delay (Input)	600 ms (204 m)
Network commands	On/Off, Gain, Mute, Presets, Level, Status queries
Dimensions (WxHxD)	600 x 420 x 100 (without mounts)
Weight	7 kg

Cabinet	Plywood, semi-matt varnish
Suspension points	Thread inserts 4 x M 8 on the back
Connectors	XLR Input, Cinch Input, Ethernet, Ethernet for DANTE, IEC connector
Power supply	90...260 V AC 50/60 Hz
Power consumption	SUB 40 FA / SUB 40 FA DANTE
Standby	2 watts
All channels SLEEP	10,7/11,7 watts
Max. power consumption	120 watts
Peak power	380 watts
Warranty	5 years

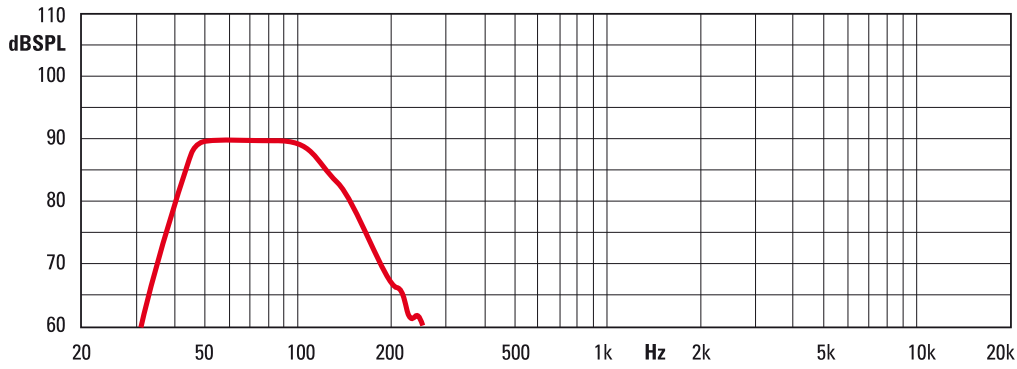
Model	Order-No.	Version
SUB 40 FA white	1340-0003	RAL 0016
SUB 40 FA black	1340-0004	RAL 9005
SUB 40 FA DANTE white	1340-0005	RAL 0016
SUB 40 FA DANTE black	1340-0006	RAL 9005

Other colours and versions on request

SUB 40 FA / SUB 40 FA DANTE

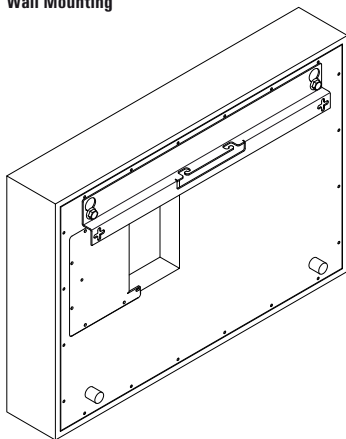
Ultra-flat Subwoofer

SUB 40 FA Frequency Response (half space)

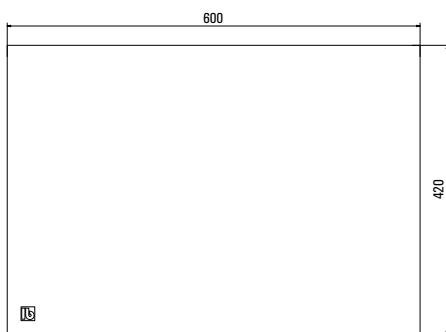


Mounting variants

Wall Mounting



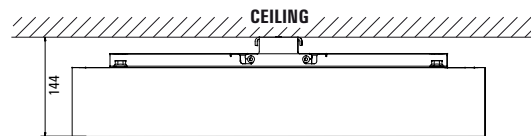
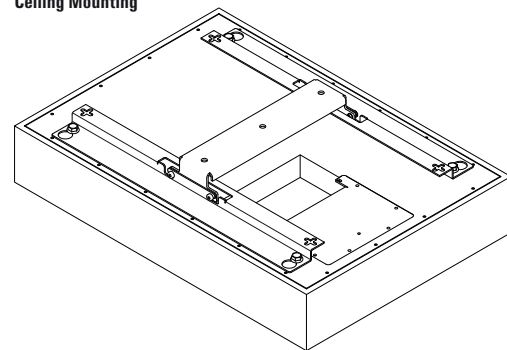
Front



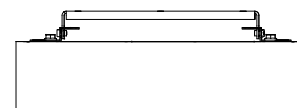
Sides



Ceiling Mounting



Long Side



Short Side

Top View

