



Operation Manual

Display Speakers and Soundbars

display series

display CAM series

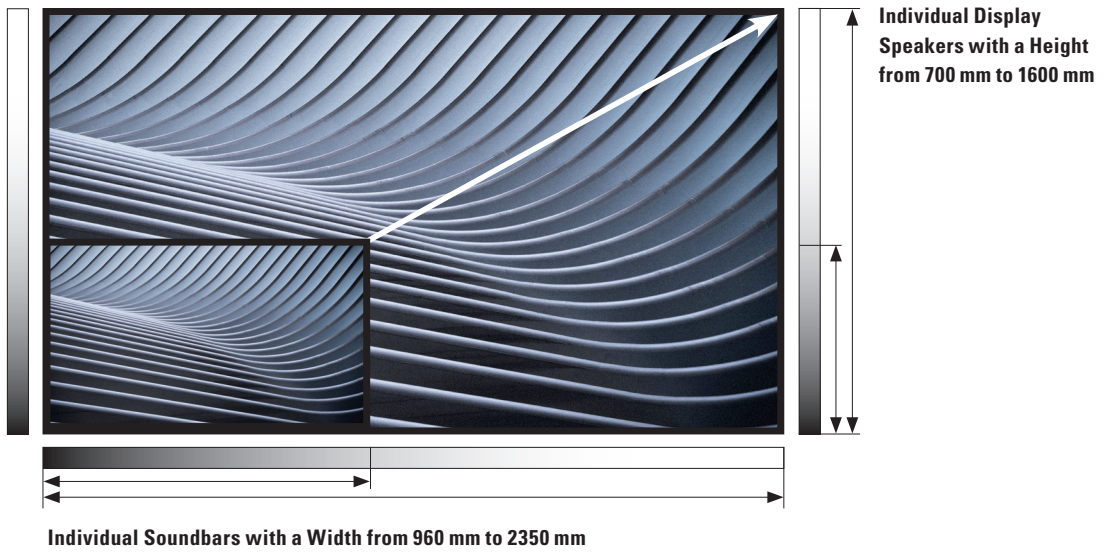


feiner hören



Customized Versions with Made-to-Measure Dimensions

We manufacture special versions of our display speakers and soundbars tailored to the specific dimensions of individual display models. The display and speakers harmonize perfectly to create uniform visual units.



Content

1. Important Safety Informations	4
2. Connection with DL-A-/SB-A-Speaker Systems to Displays or Players	5
3. Display Speakers	6
3.1. DL-A 2.0 Active Stereo Display Speaker Pair with DSP	6
3.2. DL-A 2.2 Active Stereo Display Speaker Pair with DSP and Integrated Subwoofers	8
4. Mounts for Display Speakers	10
4.1. DL-VESA Technical Data	12
4.2. DL-VESA Assembly with DL-A 2.0	14
4.3. DL-VESA Assembly with DL-A 2.2	15
4.4. WH 80 Wall-Mount Technical Data	16
4.5. WH 80 Wall-Mount Assembly	16
4.6. SH 50 Pivotal Wall-Mount Technical Data	17
4.7. SH 50 Pivotal Wall-Mount Assembly	17
5. Soundbars	18
5.1. SB-A 2.0 Active Stereo Soundbar with DSP	18
5.2. SB-A 2.0 CAM (+) Active Stereo Soundbar with Integrated Camera or with Camera + Microphone Array	20
5.3. SB-A 2.2. Active Stereo Soundbar with DSP and Integrated Subwoofers	22
6. Mounts for Soundbars	24
6.1. SB-VESA Technical Data	24
6.2. SB-VESA Assembly with SB-A 2.0 / SB-A 2.0 CAM (+)	26
6.3. SB-VESA Assembly with SB-A 2.2	29
6.4. WH 80 Wall-Mount Technical Data	30
6.5. WH 80 Wall-Mount Assembly	30
7. Model Overview	31

Important Safety Information



CAUTION!

Service and repair work must only be carried out by qualified personnel. Do not open the case as there is a risk of electric shock. There are no controls or components inside the device that require you to open the case. If the case has to be opened by qualified personnel, make sure that the device is completely disconnected from the power supply.

The operating voltage must match the local power supply.



The device should be shielded from moisture and wet conditions. It must not be operated in rain or close to water, baths, washbasins, sinks, swimming pools or in damp environments. Do not place any objects filled with water such as vases, glasses or bottles on the device.

Avoid direct sunlight and do not install it in the direct vicinity of radiators or other heat sources. Upon sudden change of climatic conditions (e. g. transfer from a cold place to a warm room) water may condense inside the device, which may lead to malfunction or damage. Before switch-on wait until the amplifiers have reached room temperature.

Unplug the mains plug to protect the device during a thunderstorm or if it is going to be left unsupervised or unused for a longer period of time. This prevents the device being damaged by lightning strikes or voltage surges in the mains grid. Do not touch the case when the device is in use as it may heat up during operation. Make sure that the device is ventilated sufficiently.

Improper use will invalidate the warranty!

Disclaimer

lb is not liable for damage to speakers or other equipment caused by negligence or in cases where the product has been used for something other than its intended purpose. In particular, lb is not liable for lost earnings or other financial losses incurred by the purchaser. This limitation also applies to the personal liability of employees, representatives and agents.

These products meet the requirements of European Directive 2002/96/EC (WEEE) and 2002/95/EC (RoHS).



2. Connection with DL-A-/SB-A-Speaker Systems to Displays or Players

1. Connecting audio cables

- Connect the line out or the headphone output of the display or other device to the line-in cinch input on the active speaker's connecting terminal. (If the display only has one digital audio output, the signal must first be converted.)
- Connect the passive speaker (right) to the four-pole speaker terminal on the connecting terminal. On model DL-A 2.0, the speaker cable is already attached to the passive speaker. On model DL-A 2.2, connect the active and passive speakers to the four-pole speaker cable provided (four-pole connectors on both sides).

2. Connecting the power supply

- Turn the volume control for the active speaker all the way to the left (volume 0).
- Insert the mains adapter provided into the green power supply terminal on the active speaker and connect to the mains grid using the cold device cable.

3. Starting up the speaker system

- Switch on the display or other device and set the output volume of the audio output to approximately 60-70 percent.
- The speakers feature an automatic switch-on function and automatically activate when an audio signal is detected at the input. When this happens, the LED in the terminal panel lights up green.
- Turn the volume controller on the connecting terminal up to the desired operating volume.

4. Grounding the speakers (ground lift switch)

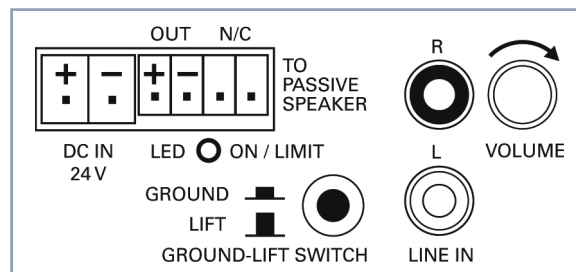
- Depending on the grounding used for the display and other connected components (e.g. PC and crossover switches), the speakers may or may not have to be grounded. The ground lift switch is designed to do this. If the other devices are grounded, the speakers should not be grounded (ground lift). If the devices are not grounded, the speakers should be grounded (ground). Incorrect grounding will result in buzzing sounds and interference.

5. Automatic switch-on function

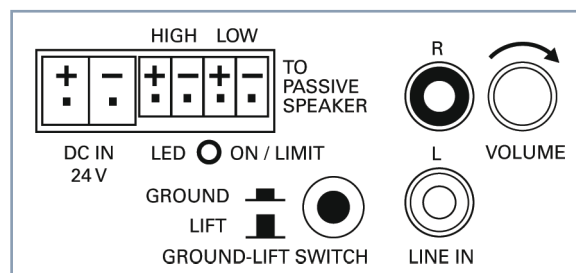
- If the speakers do not receive a signal for more than ten minutes, they automatically switch to standby. The LED in the terminal panel goes out.



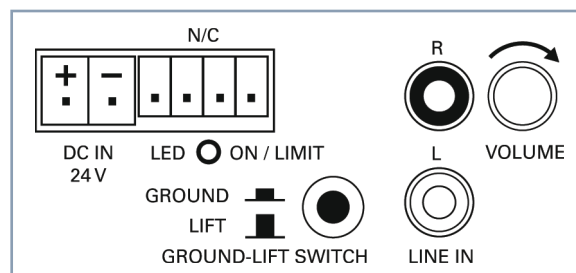
Connecting Terminal DL-A 2.0



DL-A 2.0 Connecting Terminal



DL-A 2.2 Connecting Terminal



SB-A 2.0 / SB-A 2.0 CAM(+) / SB-A 2.2 Connecting Terminal

3. Displaylautsprecher

3.1. DL-A 2.0 Active Stereo Display Speaker Pair with integrated DSP



Key Features

- Active stereo speaker pair with DSP
- Very linear frequency range
- Optimized speech intelligibility
- 2 × 50 watts power capacity
- Automatic switch-on
- Switchable Ground-Lift
- Customized versions with height on measure for display heights from 600 up to 1600 mm
- VESA mounts for display widths up to 2400 mm



Technical Data

Principle	Active stereo speaker pair with class-D amplifiers and DSP. Left speaker with amplifier module, right speaker passive.
Components	2 × 2.5" full-range drivers + 2 × 2.5" woofers + 4 × 2.5" passive radiators
Frequency range	55 Hz – 20 kHz
Amplifier output	2 × 50 watts
Sensitivity	max. 109 dB (1W/1m)
Nominal dispersion	120°
Connector Active speaker	Input cinch stereo, pluggable system terminals to connect passive speaker and extern power supply, input cable mini jack 3.5 mm to cinch, 1.5 m;
Connector Passive speaker	Connecting cable with plug
Input sensitivity	-6 dBu for full modulation, input-impedance 10 kohms
Operational controls	Volume control, LED ON/Clip
Automatic switch-on	Switches into an idle state (SLEEP) automatically when the input signal is absent for over 5 min.
Power supply	Extern power supply 24 VDC, 40 VA
Mains connection	90 – 240 VAC
Dimensions (W × H × D)	80 × 700 × 48 mm (per speaker)
Weight	6 kg (pair)
Material	Cabinet aluminium, front precision steel grille, powder-coated, black
Fastening points	Threaded inserts 2 × M 6 at rear (per speaker)
Warranty	5 years

Model

Version

DL-A 2.0	Standard model 700 mm, RAL 9005
Customized versions Display height	Height on measure
DL-A 2.0-900	600 – 900 mm
DL-A 2.0-1200	900 – 1200 mm
DL-A 2.0-1600	1200 – 1600 mm

Accessories

Mounts

Display width

DL-VESA 1400	1150 – 1400 mm
DL-VESA 1650	1400 – 1650 mm
DL-VESA 1900	1650 – 1900 mm
DL-VESA 2150	1900 – 2150 mm
DL-VESA 2400	2150 – 2400 mm

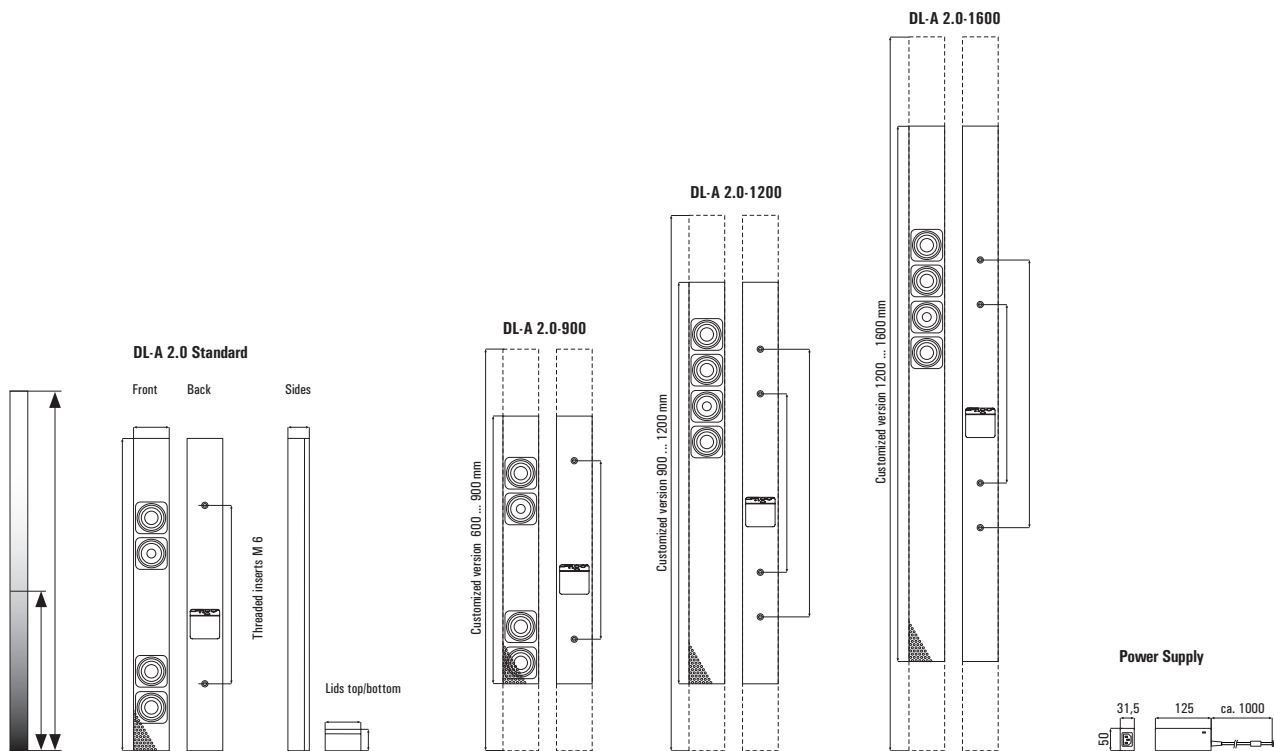
Wall-mount

WH 80 Adjustable to a distance of 35 to 110 mm from the wall, pair (2 pairs per speaker pair)

Pivotable wall-mount

SH 50 30 mm wall distance, (2 pieces per speaker pair)

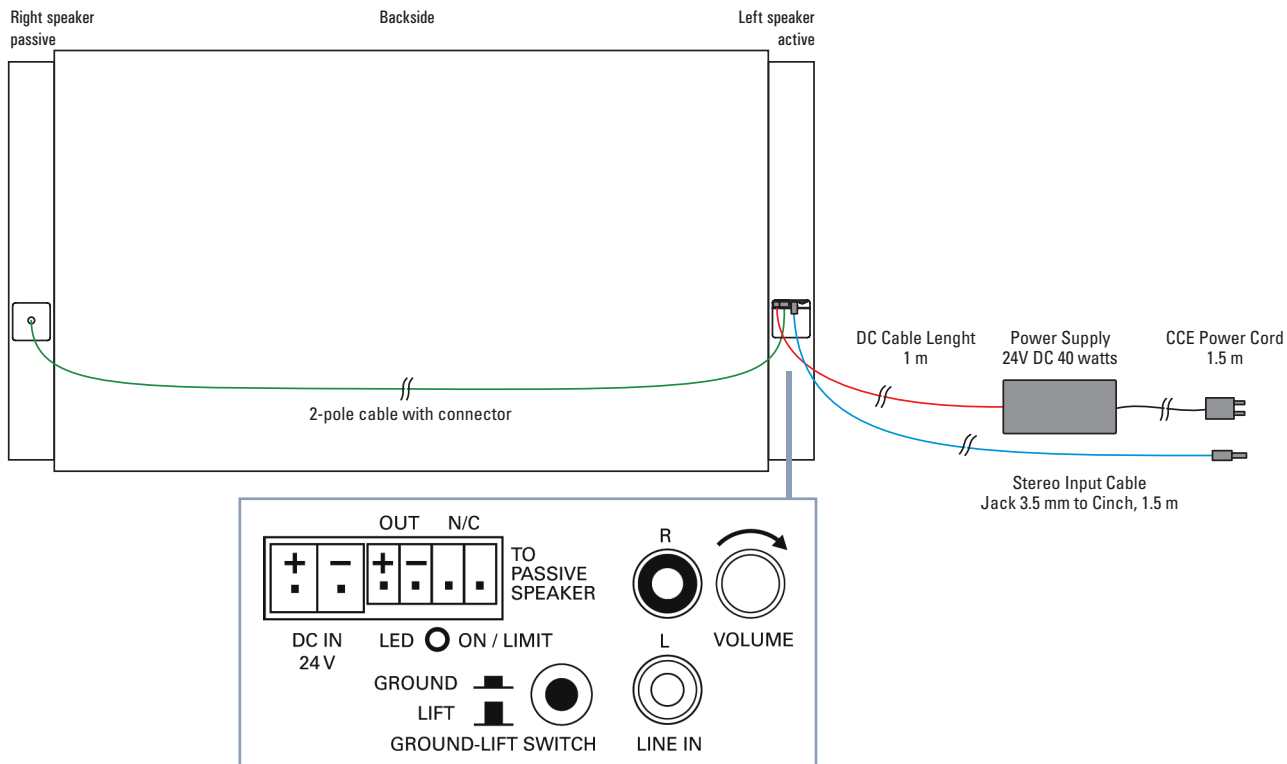
Dimensions



Individual Display Speakers from 600 mm up to 1600 mm height

Speaker Connection

Back View



Connecting Terminal Active Speaker (left)

3.2. DL-A 2.2 Active Stereo Display Speaker Pair with DSP and integrated Subwoofers



Key Features

- Active 2-way stereo speaker pair with DSP
- Very linear frequency range
- Optimized speech intelligibility
- Integrated subwoofer
- 2 × 50 + 2 × 100 watts power capacity
- Automatic switch-on
- Switchable Ground-Lift
- Customized versions with height on measure from 700 up to 1600 mm
- VESA mounts for display widths up to 2400 mm



Technical Data

Principle	Active 2-way stereo speaker pair with class-D amplifiers and DSP. Left speaker with amplifier module, right speaker passive.
Components	2 × 2.5" full-range drivers + 6 × 2.5" woofers + 12 × 2.5" passive radiators
Frequency range	42 Hz – 20 kHz
Amplifier output	2 × 50 watts + 2 × 100 watts
Sensitivity	max. 112 dB (1W/1m)
Nominal dispersion	120°
Connector Active speaker	Input cinch stereo, pluggable system terminals to connect passive speaker and extern power supply, input cable mini jack 3.5 mm to cinch, 1.5 m;
Connector Passive speaker	Connecting cable with plug
Input sensitivity	-6 dBu for full modulation, input-impedance 10 kohms
Operational controls	Volume control, LED ON/Clip
Automatic switch-on	Switches into an idle state (SLEEP) automatically when the input signal is absent for over 5 min.
Power supply	Extern power supply 24 VDC, 90 VA
Mains connection	90 – 240 VAC
Dimensions (W × H × D)	80 × 700 × 103 mm (per speaker)
Weight	9 kg (pair)
Material	Cabinet aluminium, front precision steel grille, powder-coated, black
Fastening points	Threaded inserts 2 × M 6 at rear (per speaker)
Warranty	5 years

Modell

DL-A 2.2

**Customized versions
Display height**

**DL-A 2.2-900
DL-A 2.2-1200
DL-A 2.2-1600**

Accessories

Mounts

**DL-VESA 1400
DL-VESA 1650
DL-VESA 1900
DL-VESA 2150
DL-VESA 2400**

Wall-mount

WH 80

Pivotable wall-mount

SH 50

Ausführung

**Standard model
700 mm, RAL 9005**

Height on measure

700 – 900 mm
900 – 1200 mm
1200 – 1600 mm

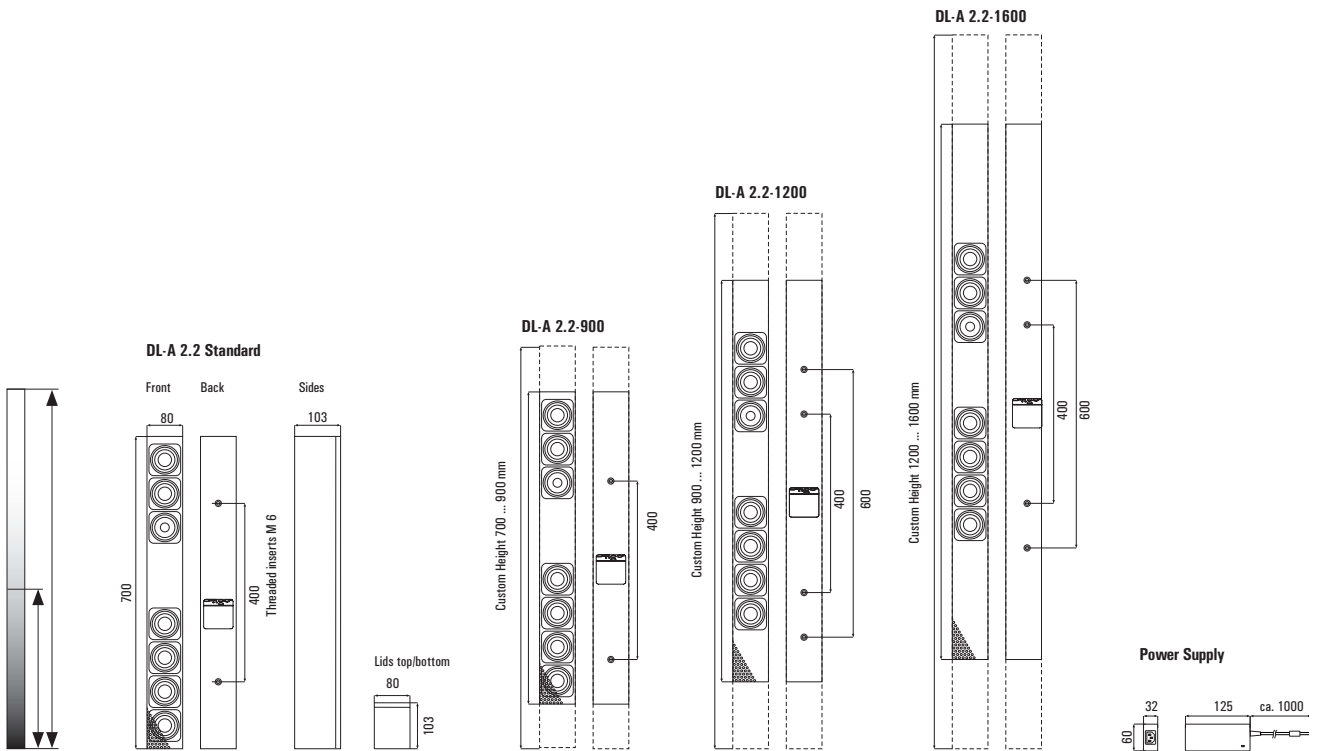
Display width

1150 – 1400 mm
1400 – 1650 mm
1650 – 1900 mm
1900 – 2150 mm
2150 – 2400 mm

Adjustable to a distance of 35 to 110 mm from the wall, pair (2 pairs per speaker pair)

30 mm wall distance, (2 pieces per speaker pair)

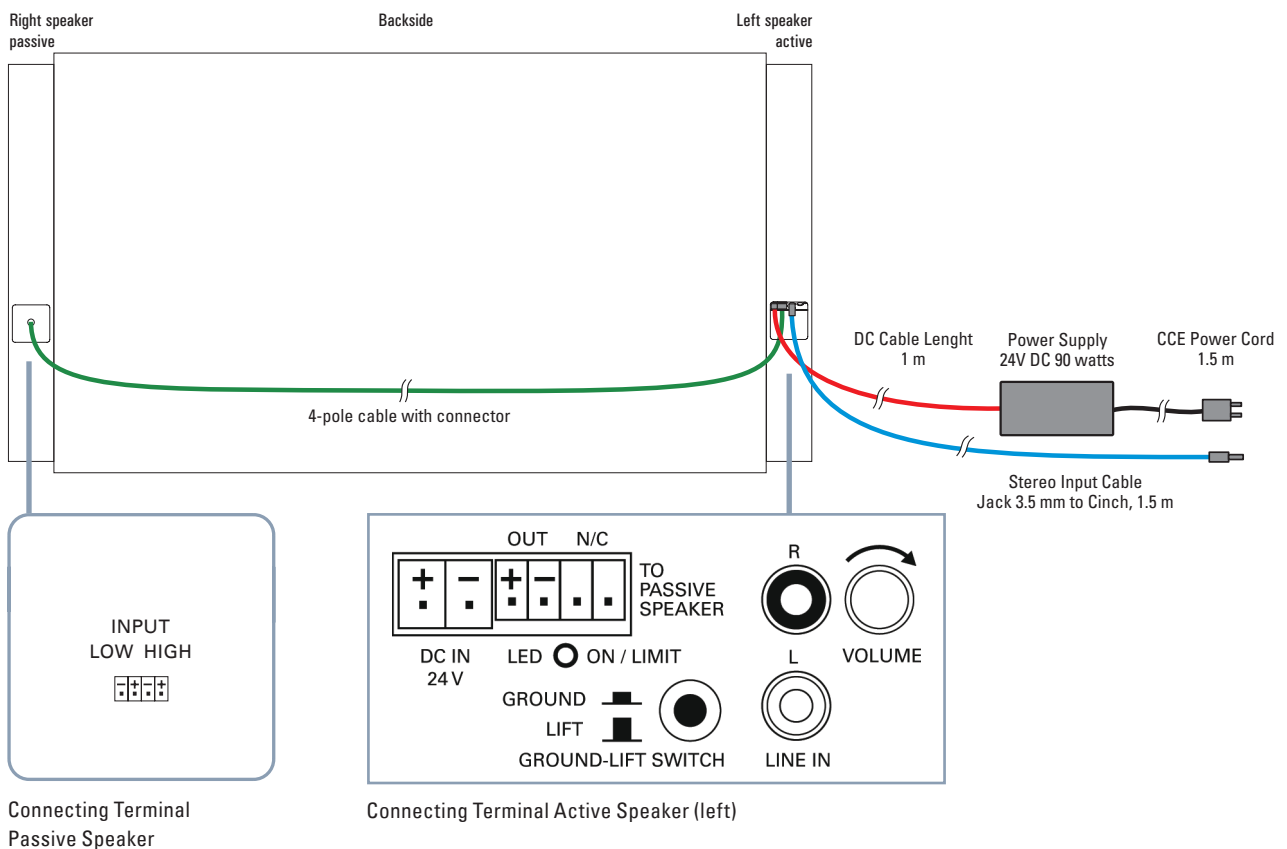
Dimensions



Individual Display Speakers from 700 mm up to 1600 mm height

Speaker Connection

Back View



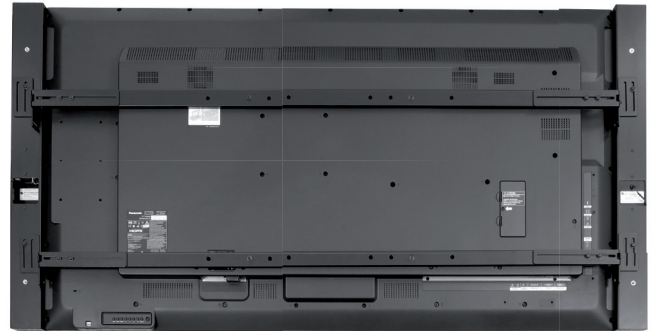
4. Mounts for Display Speakers

4.1. DL-VESA Technical Data

The DL-VESA mounts are designed to fix our display speakers of DL series on displays with VESA-points at rear. The mounts are adjustable for different display widths and heights.

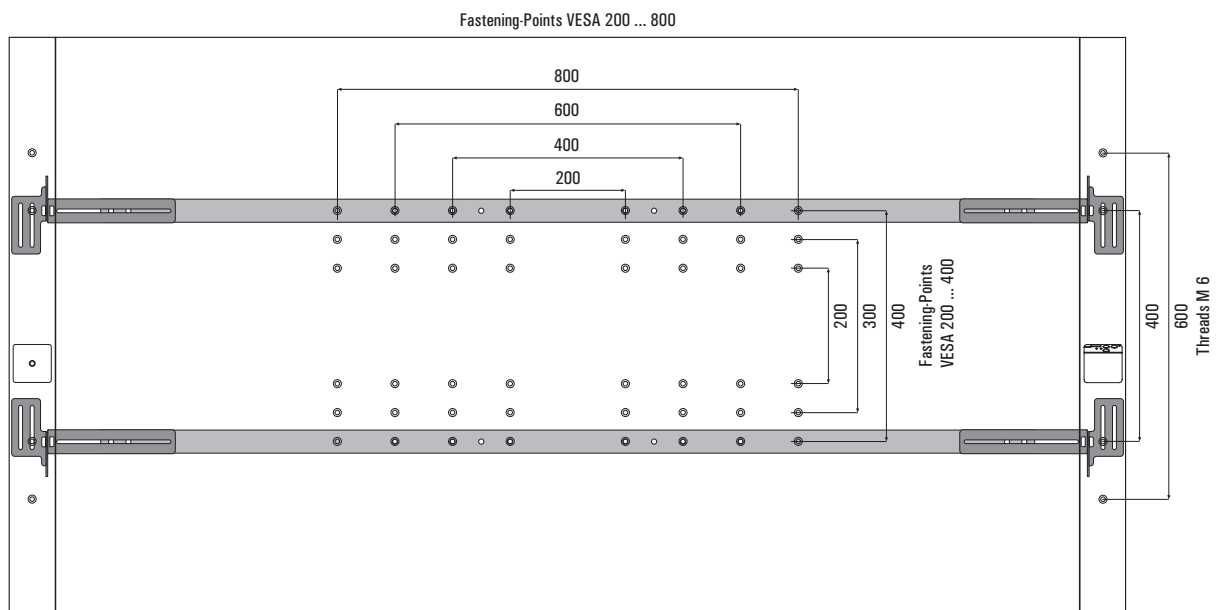
Models

DL-VESA 1400	1150 – 1400 mm
DL-VESA 1650	1400 – 1650 mm
DL-VESA 1900	1650 – 1900 mm
DL-VESA 2150	1900 – 2150 mm
DL-VESA 2400	2150 – 2400 mm



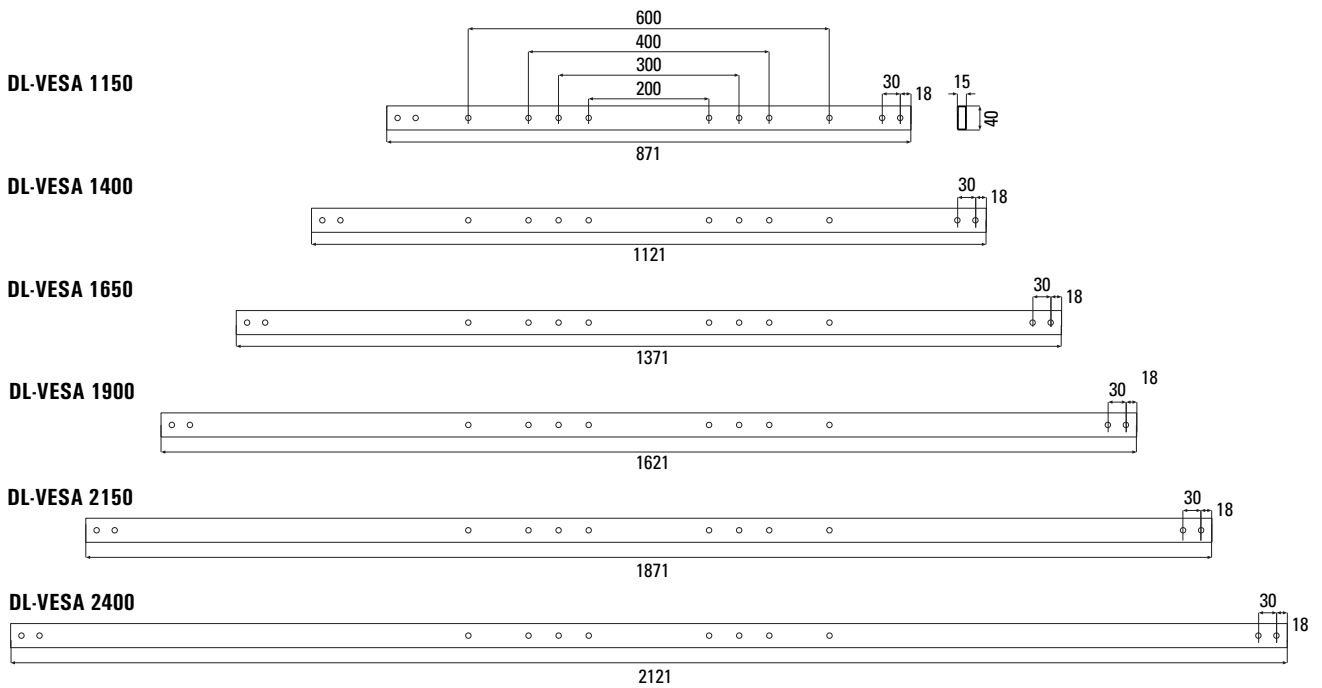
Back view: display with fixed display speakers on DL-VESA.

DL-VESA Display-Fastening-Points

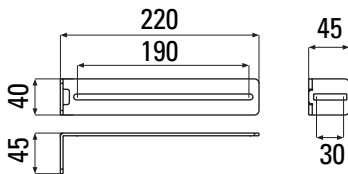


The mounts are suitable for all standard VESA-points.

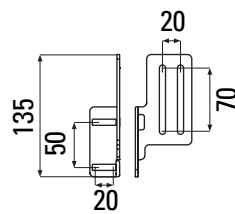
Dimensions



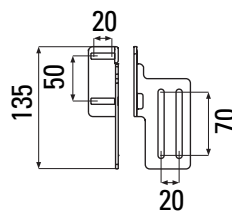
L-bracket



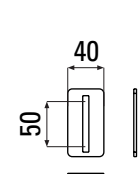
T-bracket left



T-bracket right



Extension



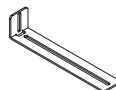
Parts of DL-VESA Mount

The parts of the DL-VESA mounts can be used different, depending on dimensions of display and speaker model (see page 12 – 15)

2 × Carrier



4 × L-bracket



2 × T-bracket left



2 × T-bracket right



4 × Extension



12 × Hexagon screw M 6 × 16



8 × Carriage screw M 6 × 16



8 × Nut M 6



20 × Belleville washer M 6

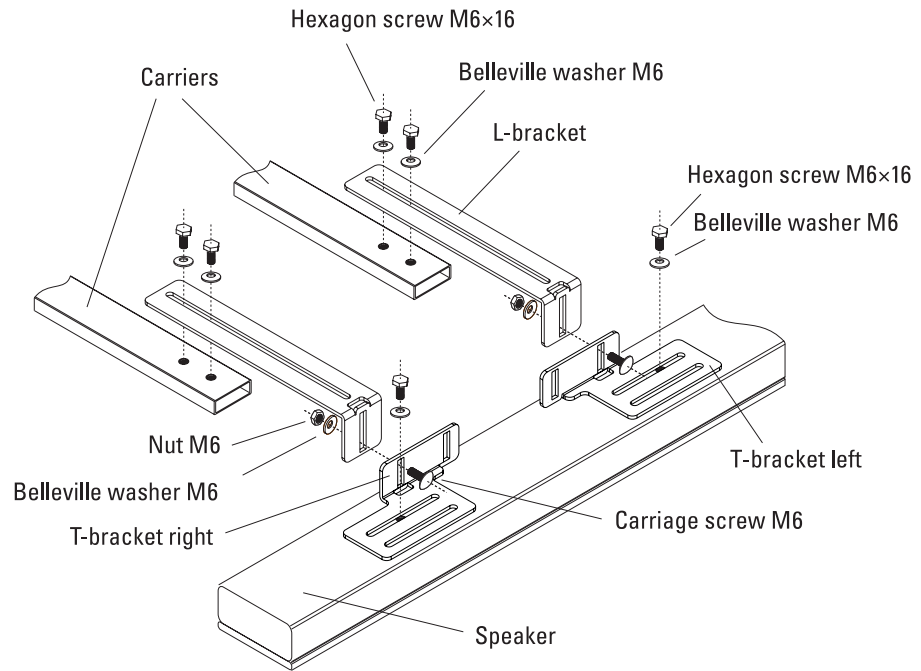


4.2. DL-VESA Assembly with DL-A 2.0

Variante A

For 200 – 400 mm VESA standard mounts.

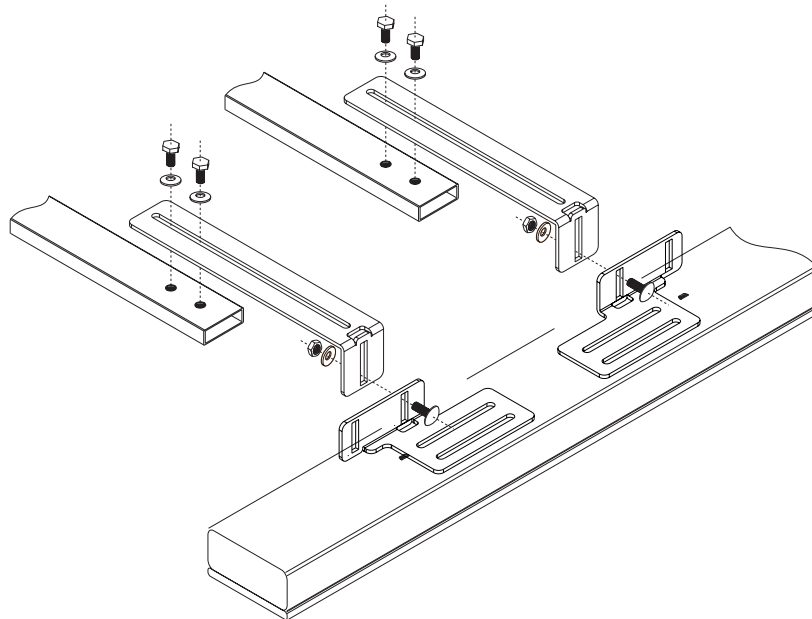
Attach the T-shaped brackets directly to the L-shaped brackets; position the T-brackets symmetrically, with the baseplates facing outwards. The L-shaped brackets can be attached forwards or backwards depending on the depth.



Variante B

For 400 – 600 mm VESA standard mounts.

Attach the T-brackets directly to the L-brackets; position the T-brackets symmetrically, with the baseplates facing inwards.

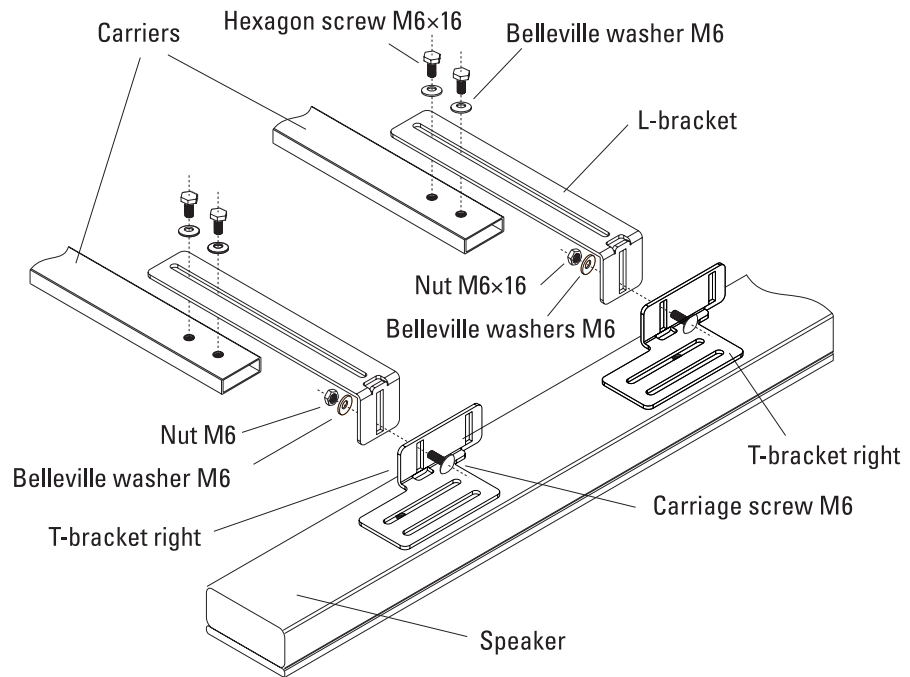


4.2. DL-VESA Assembly with DL-A 2.0

Variante C

For asymmetrical VESA standard mounts.

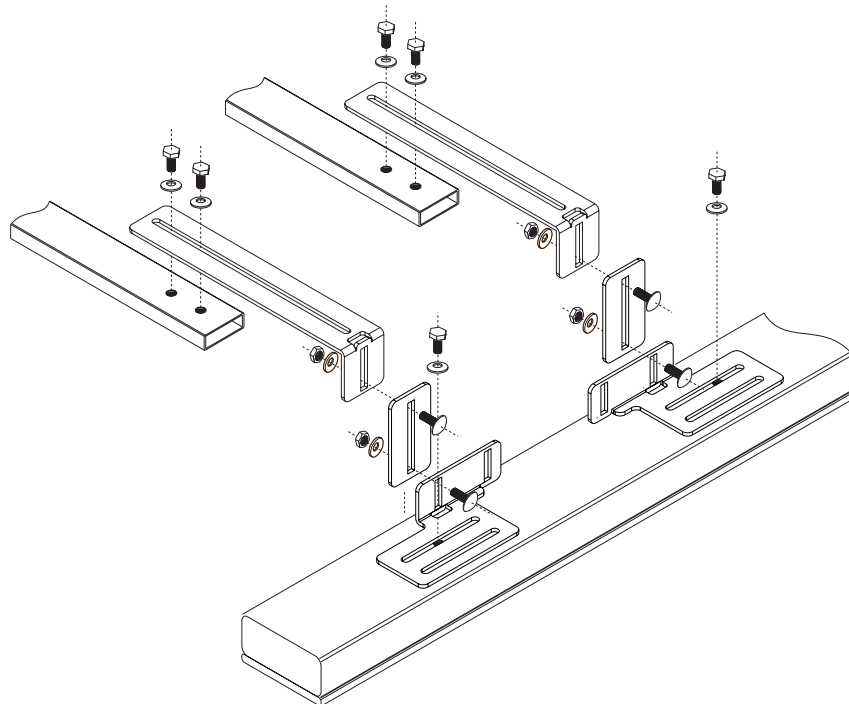
Attach the T-brackets directly to the L-brackets; use two identical T-brackets on each side. The L-brackets can be mounted on the front or back of the T-bracket depending on the depth of the display.



Variante D

For very deep displays.

Use extension plates between the T-brackets and the L-brackets to add extra space.

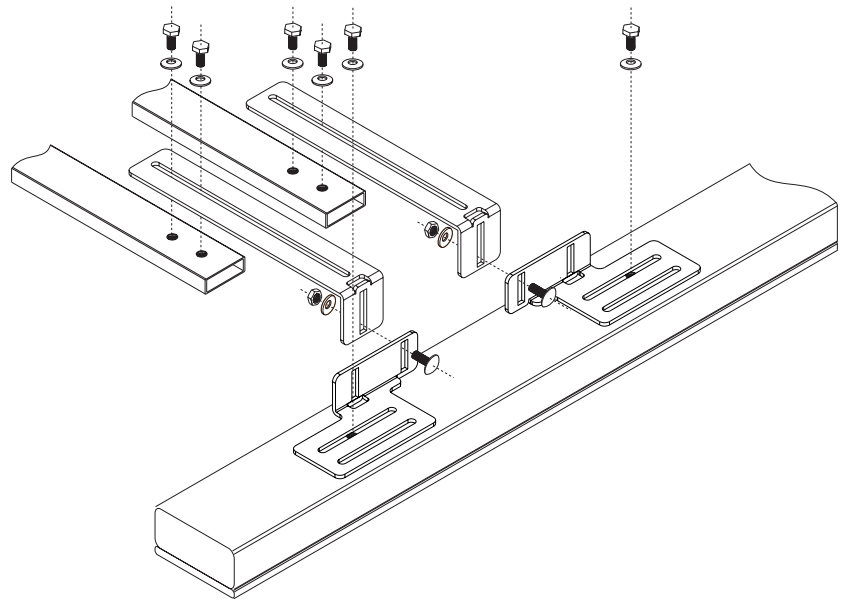


4.2. DL-VESA Assembly with DL-A 2.0

Variante E

For VESA standard mounts under 200 mm.

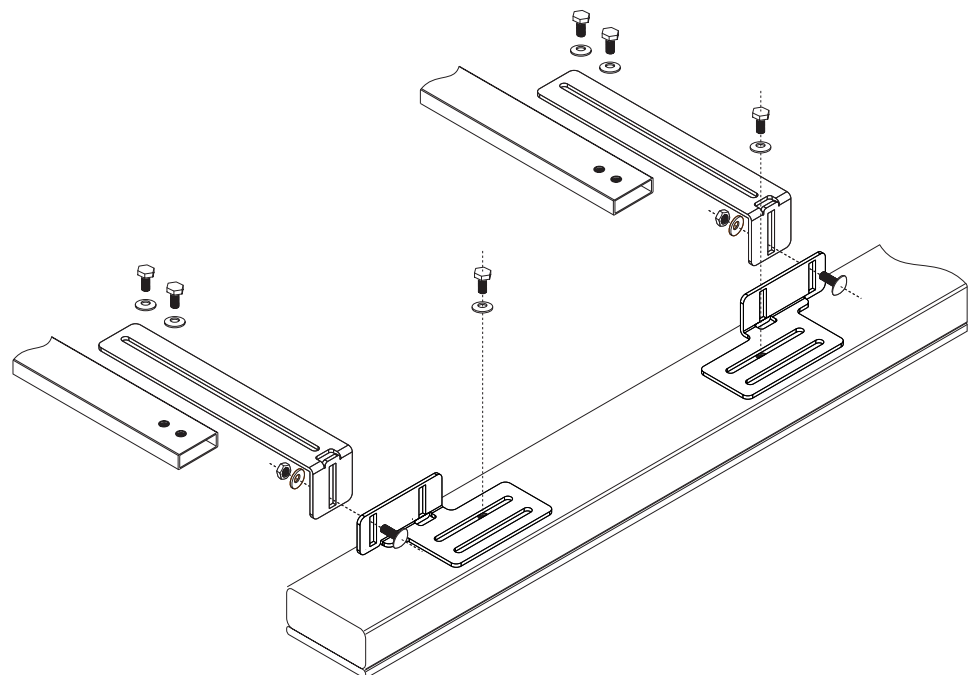
Attach the T-brackets directly to the L-brackets; position the T-brackets symmetrically, with the baseplates facing outwards.



Variante F

For a VESA standard mounts over 600 mm.

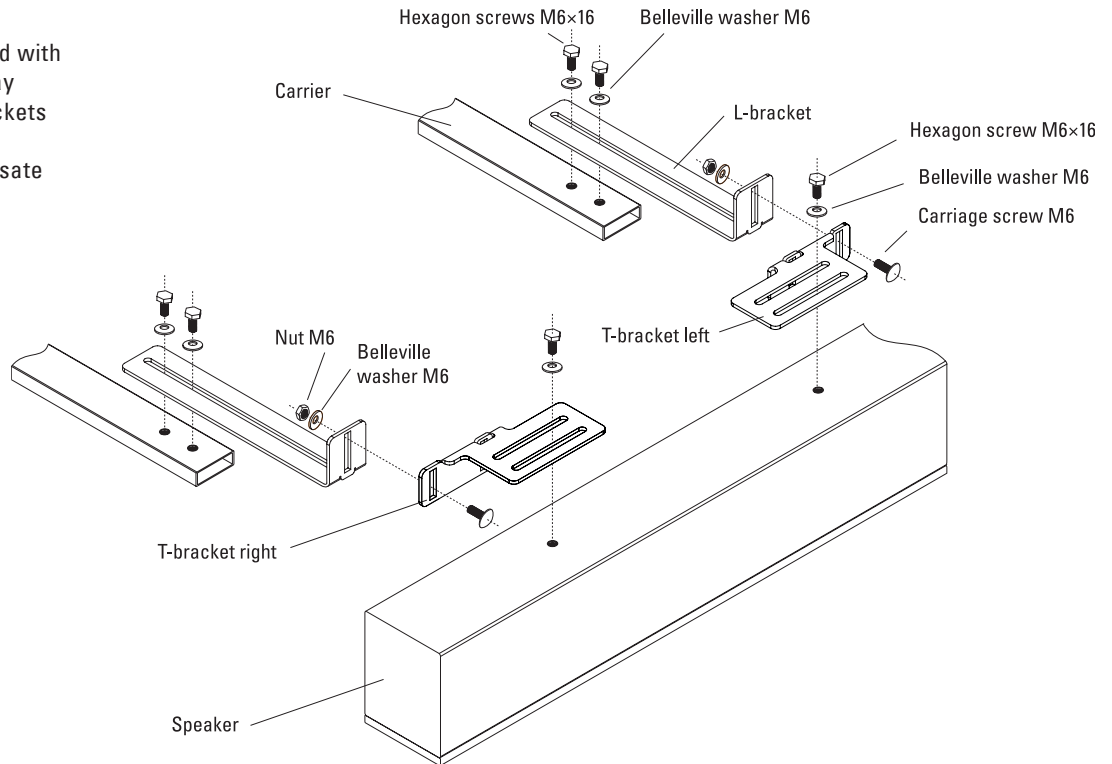
Attach the T-brackets directly to the L-brackets; position the T-brackets symmetrically with the baseplates facing inwards.



4.3. DL-VESA Assembly with DL-A 2.2

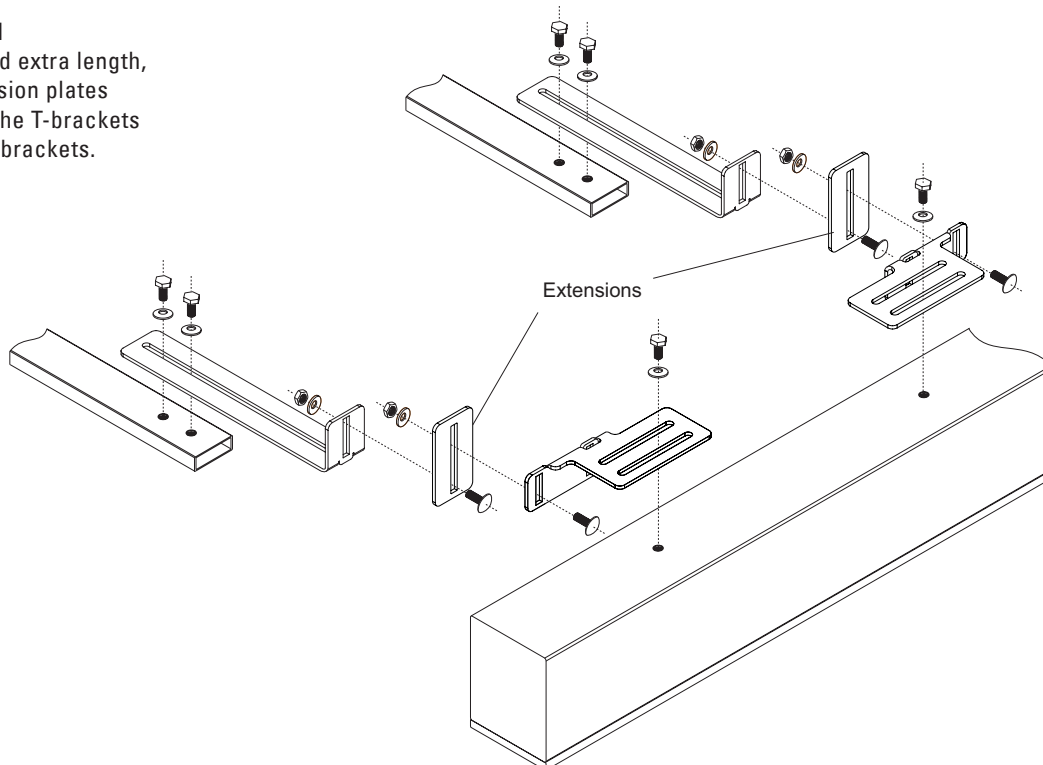
Variante G

For flat displays used with deep DL-A 2.2 display speakers, the T-brackets are mounted facing forwards to compensate for the gap.



Variante H

If you need extra length, use extension plates between the T-brackets and the L-brackets.

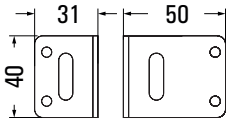


4.4. WH 80 Wall-Mount Technical Data

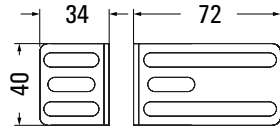
The wall mount WH 80 is adjustable for a wall distance from 35 up to 110 mm (two pairs are needed per speaker-pair).

Dimensions

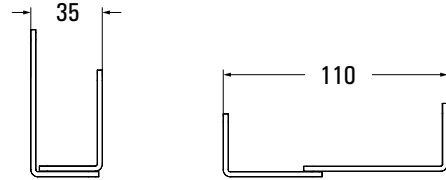
L-bracket A



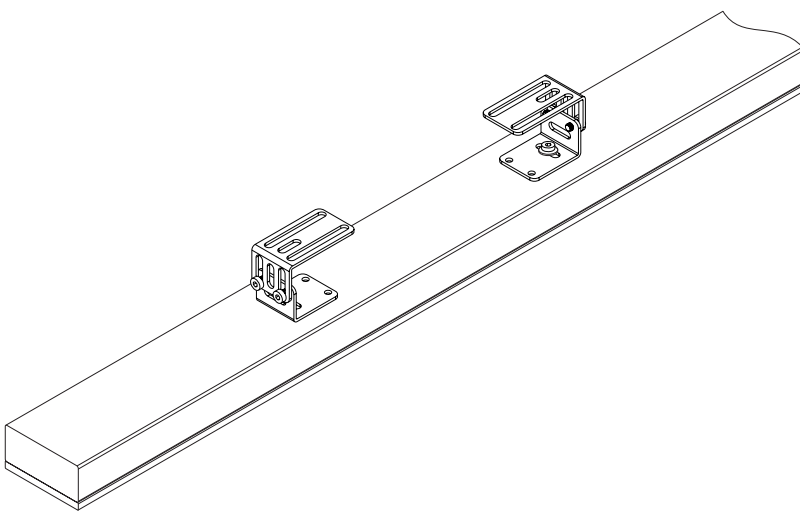
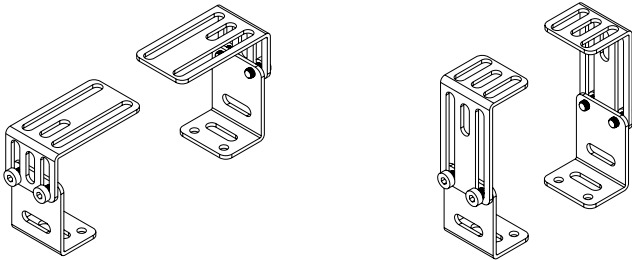
L-bracket A



Wall-distance 35 – 110 mm



4.5. WH 80 Wall-Mount Assembly



Fix the L-brackets A with the provided screws at the rear of the speaker (hexagon M 6 × 16 + belleville washers).

Fix the L-brackets B on the wall and connect them with the L-brackets A (hexagon M 6 × 10 + belleville washers).

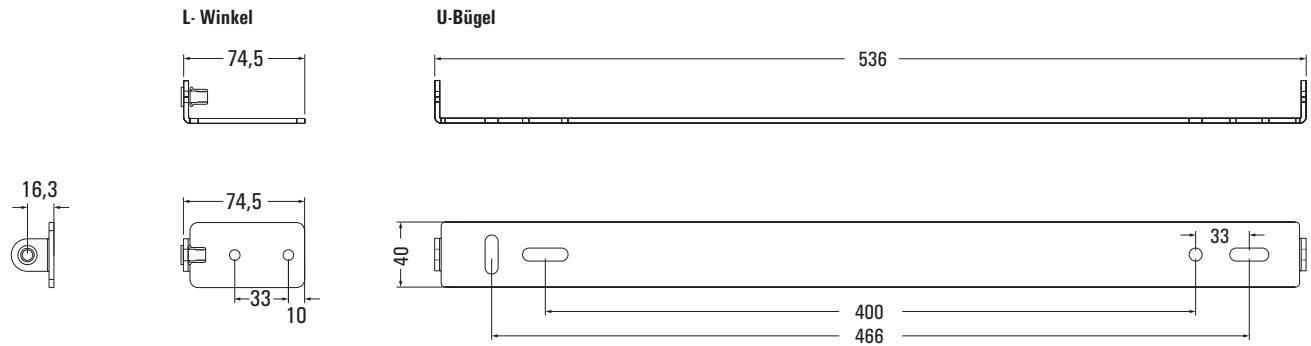
The speakers can also be fixed inclined.



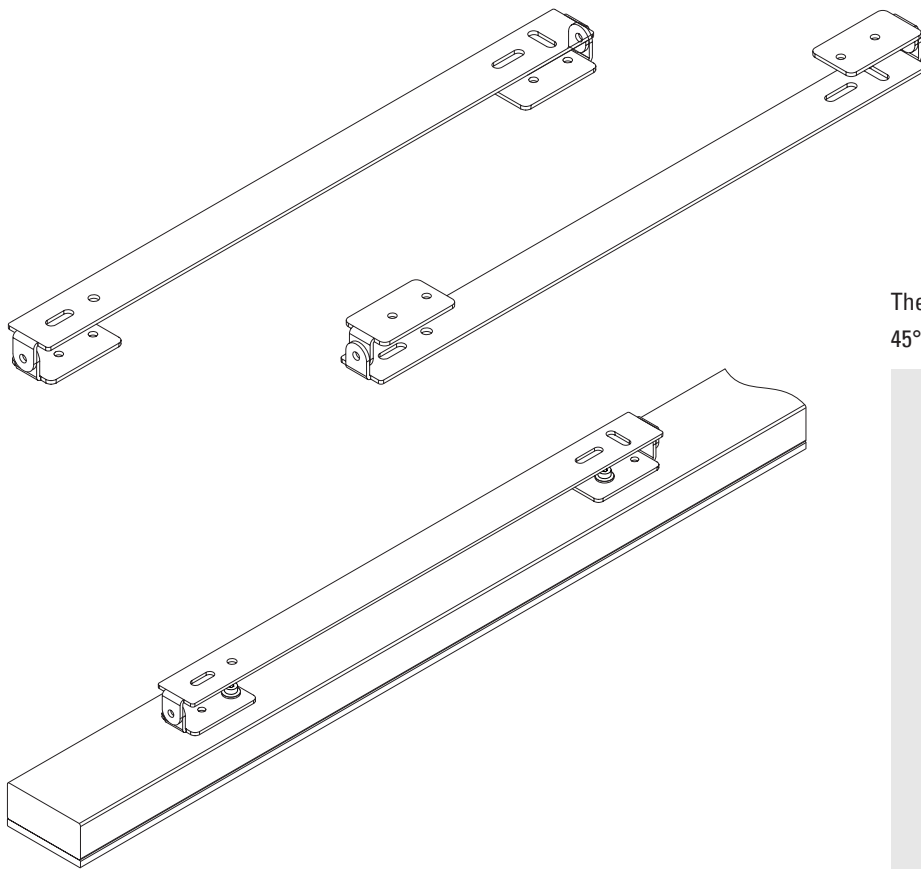
4.6. SH 50 Pivotal Wall-Mount Technical Data

The pivotal wall mount SH 50 has a wall distance of 33 mm and is pivotable up to 45°. (Two peaces are needed per speaker pair)

Dimensions



4.7. SH 50 Pivotal Wall-Mount Assembly



The speakers can also be swivelt up to 45° as required.



Fix the L-brackets with the provided screws at the rear of the speaker (hexagon screws M 6 × 16 + belleville washers).

Fix the U-bracket on the wall and connect them with the L-brackets (hexagon screws M 6 × 10 + belleville washers).

5. Soundbars

5.1. SB-A 2.0 Active Stereo Soundbar with Integrated DSP



Key Features

- Active stereo soundbar with DSP
- Very linear frequency range
- Optimized speech intelligibility
- 2 × 50 watts power capacity
- Automatic switch-on
- Switchable Ground-Lift
- Customized versions on measure for display widths from 960 up to 2350 mm
- VESA mounts for display heights up to 100 inches

Technical Data

Principle	Active stereo soundbar with DSP
Components	2 × 2.5" full-range drivers + 2 × 2.5" woofers + 4 × 2.5" passive radiators
Frequency range	55 Hz – 20 kHz
Amplifier output	2 × 50 watts
Sensitivity	max. 109 dB (1 W/1m)
Nominal dispersion	120°
Connectors	Input cinch stereo, pluggable system terminals to connect extern power supply, input cable mini jack 3.5 mm to cinch, 1.5 m
Input sensitivity	-6 dBu for full modulation, input-impedance 10 kohms
Operational controls at back	Volume control, LED On/Limit, Ground-Lift-Switch
Automatic switch-on	Switches into an idle state (SLEEP) automatically if the input signal is absent for over 5 min.
Power supply	Extern power supply 24 VDC, 40 VA
Dimensions (W × H × D)	960 × 80 × 48 mm
Weight	5 kg
Material	Cabinet aluminium, front precision steel grille, powder-coated
Fastening points	Threaded inserts 4 × M 6 at rear
Warranty	5 years

Model

Version

SB-A 2.0	Standard model 960 mm, RAL 9005
Customized versions Display width	Width on measure
SB-A 2.0-1200	960 – 1200 mm
SB-A 2.0-1600	1200 – 1600 mm
SB-A 2.0-2000	1600 – 2000 mm
SB-A 2.0-2350	2000 – 2350 mm

Accessories

Mount

SB-VESA VESA-mount for Displays from 40" – 100"

Wall-mount

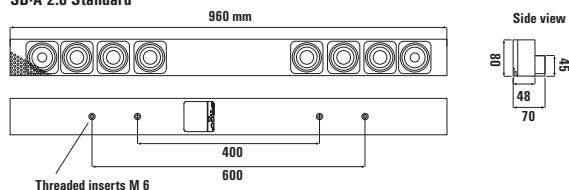
WH 80 Adjustable to a distance of 35 to 110 mm from the wall, pair (1 pair per soundbar)

Dimensions

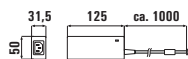


Individual Soundbars from 960 mm up to 2350 mm Width

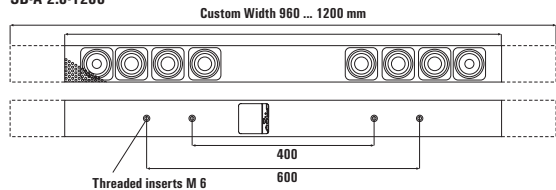
SB-A 2.0 Standard



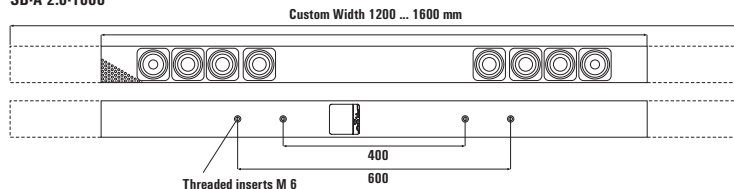
Power Supply



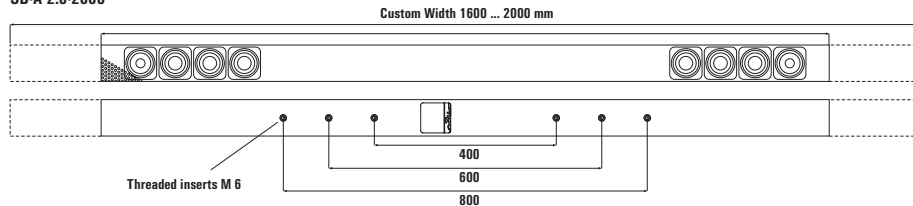
SB-A 2.0-1200



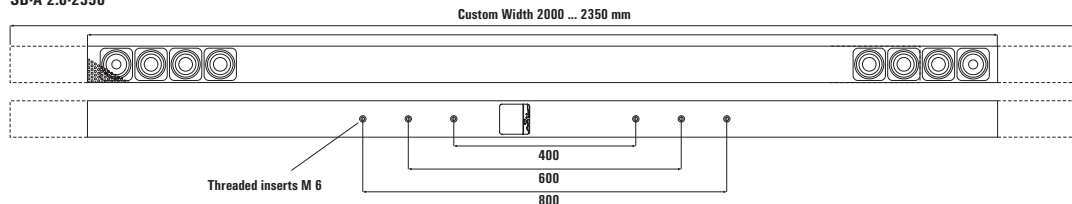
SB-A 2.0-1600



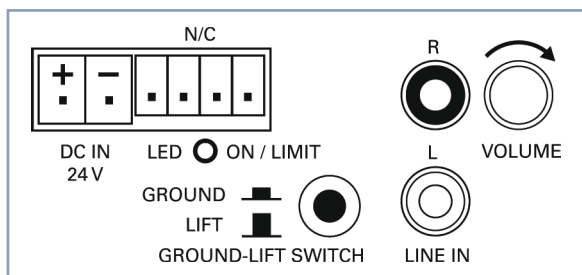
SB-A 2.0-2000



SB-A 2.0-2350

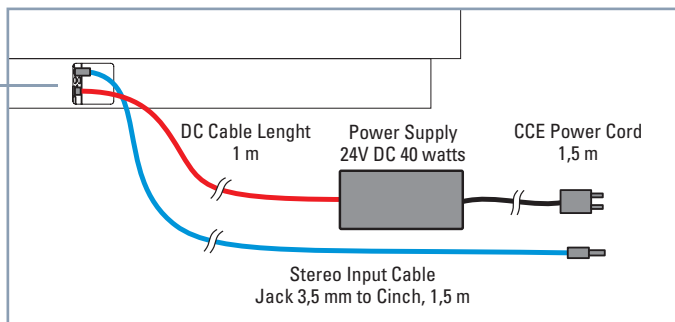


Speaker Connection



Connecting Terminal SB-A 2.0 / SB-A 2.0 CAM(+)

Back View



5.2. SB-A 2.0 CAM (+) Active Stereo Soundbar with Integrated Camera or with Camera + Microphone Array



The Huddly camera (with or without microphone array) is mechanically integrated into the SB-A 2.0 CAM and is automatically identified by the computer.

display CAM SERIES

Key Features

- Active Stereo Soundbar with integrated camera
- Very linear frequency range
- Optimized speech intelligibility
- Integrated DSP with multiband limiters
- 2 × 50 watts power capacity
- Automatic switch-on
- Switchable Ground-Lift
- Customized versions on measure for display widths from 960 up to 2350 mm
- VESA mounts for display heights up to 100 inches

Technical Data

Principle	Active Stereo Soundbar with integrated Camera (HUDDLY GO) or Camera + Microphone-Array (HUDDLY IQ)
Components	2 × 2.5" full-range drivers + 2 × 2.5" woofers + 4 × 2.5" passive radiators
Frequency range	55 Hz – 20 kHz
Amplifier output	2 × 50 watts
Sensitivity	max. 109 dB (1 W/1m)
Nominal dispersion	120°
Connectors	Camera: USB 3 incl. 2 m cabel; Input cinch stereo, pluggable system terminals to connect extern power supply, input cable mini jack 3.5 mm to cinch, 1.5 m
Input sensitivity	-6 dBU for full modulation, input-impedance 10 kohms
Operational controls at back	Volume control, LED On/Limit Grond-Lift-Switch
Automatic switch-on	Switches into an idle state (SLEEP) automatically if the input signal is absent for over 5 min.
Power supply	Extern power supply 24 VDC, 40 VA
Mains power	90 – 240 VAC
Dimensions (W × H × D)	960 × 80 × 48 mm
Weight	5 kg
Material	Cabinet aluminium, front precision steel grille, powder-coated
Fastening points	Threaded inserts 4 × M 6 at rear
Warranty	5 years

Model

SB-A 2.0 CAM(+)

**Customized versions
Display width**

**SB-A 2.0-1200 CAM(+)
SB-A 2.0-1600 CAM(+)
SB-A 2.0-2000 CAM(+)**

Version

Standard model
960 mm, RAL 9005

Width on measure

960 – 1200 mm
1200 – 1600 mm
1600 – 2000 mm

Accessories

Mount

SB-VESA

VESA-mount for Displays from 40" – 100"

Wall-mount

WH 80

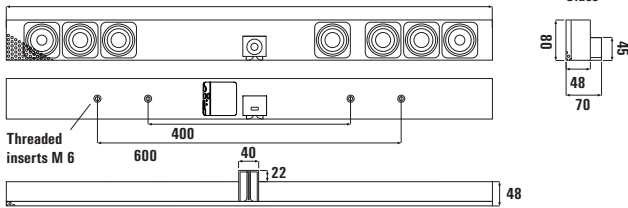
Adjustable to a distance of 35 to 110 mm from the wall, pair (1 pair per soundbar)

Dimensions

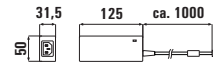


Individual Soundbars from 960 mm up to 2350 mm Width

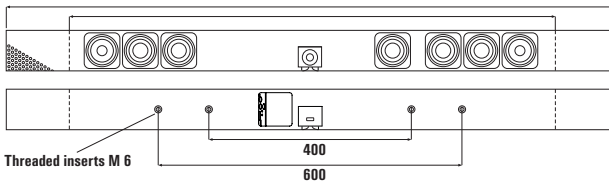
SB-A 2.0 CAM (+) Standard 960 mm



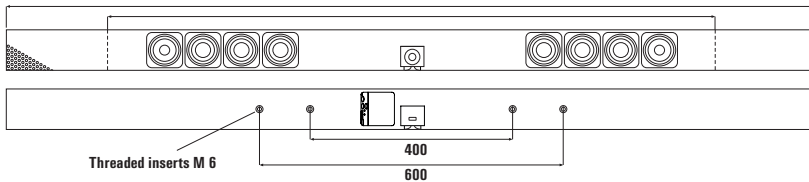
Power Supply



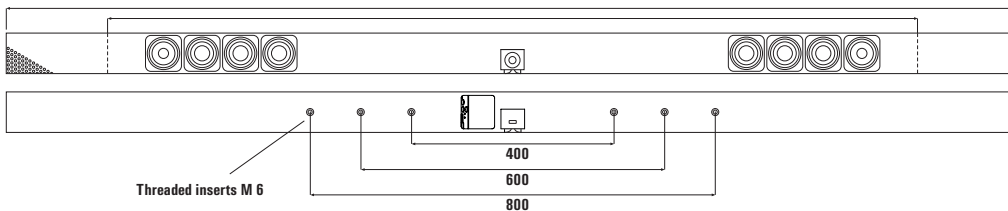
SB-A 2.0-1200 CAM (+) Custom Width 960 ... 1200 mm



SB-A 2.0-1600 CAM (+) Custom Width 1200 ... 1600 mm



SB-A 2.0-2000 CAM (+) Custom Width 1600 ... 2000 mm



Speaker Connection

See description on page 21 (SB-A 2.0)

Starting up the Camera

SB-A CAM and SB-A CAM+ soundbars can be mounted above or below the display. If the bottom edge of the display is higher than 1.10 m, we recommend fitting the soundbar below the display. The camera image is aligned automatically by the integrated position sensor.

- Connect the camera to the video conference hub or PC using the USB 3.0 cable provided. The camera and microphone (CAM+ only) are automatically identified without a driver.
- If you use a different USB cable, make sure it is a USB 3.0 cable and that it is also the approved length. If you wish to use a longer cable, we recommend converting the signal.
- In the video conferencing app's software, change the settings to external camera and external microphone (CAM+ only).
- Check the volume settings in the displays and adjust if necessary.

Further settings such as "select field of view" can be made in the Huddly software (download from www.huddly.com/app).



5.3. SB-A 2.2 Active Stereo Soundbar with DSP and Integrated Subwoofers



Key Features

- Active 2-way stereo soundbar with DSP
- Very linear frequency range
- Optimized speech intelligibility
- 2 × 50 + 2 × 100 watts power capacity
- Automatic switch-on
- Switchable Ground-Lift
- Customized versions on measure for display widths from 1200 up to 2350 mm
- VESA mounts for display size up to 100 inches

Technical Data

Principle	Active stereo soundbar with integrated subwoofers and DSP
Components	2 × 2.5" full-range drivers + 5 × 2.5" woofers + 5 × 2.5" passive radiators (6 × 2.5" woofers and 6 × 2.5" passive radiators as of 1600 mm width)
Frequency range	55 Hz – 20 kHz
Amplifier output	2 × 50 + 2 × 100 watts
Sensitivity	max. 112 dB (1 W/1m)
Nominal dispersion	120°
Connectors	Input cinch stereo, pluggable system terminals to connect external power supply, input cable mini jack 3.5 mm to cinch, 1.5 m
Input sensitivity	-6 dBu for full modulation, input-impedance 10 kohms
Operational controls at back	Volume control, LED On/Limit Ground-Lift-Switch
Automatic switch-on	Switches into an idle state (SLEEP) automatically if the input signal is absent for over 5 min.
Power supply	External Power supply 24 VDC, 90 VA
Mains connection	90 – 240 VAC
Dimensions (W × H × D)	1200 × 80 × 103 mm
Weight	8 kg
Material	Cabinet aluminium, front precision steel grille, powder-coated, black
Fastening points	Threaded inserts 6 × M 6 at rear
Warranty	5 years

Model

SB-A 2.2

**Customized versions
Display width**

**SB-A 2.2-1600
SB-A 2.2-2000
SB-A 2.2-2350**

Version

Standard model
1200 mm, RAL 9005

Width on measure

1200 – 1600 mm
1600 – 2000 mm
2000 – 2350 mm

Accessories

Mount

SB-VESA

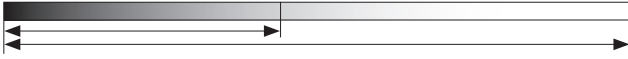
VESA-mount for Displays from 40" – 100"

Wall-mount

WH 80

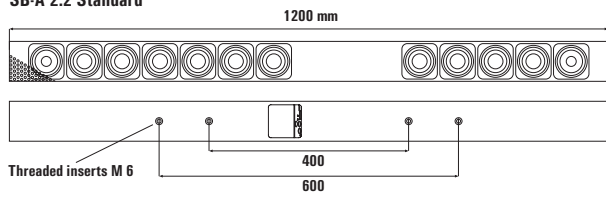
Adjustable to a distance of 35 to 110 mm from the wall, pair (1 pair per soundbar)

Dimensions

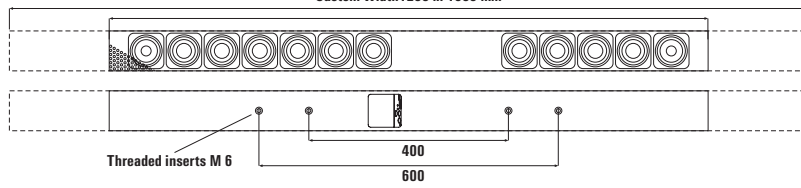


Individual Soundbars from 960 mm up to 2350 mm Width

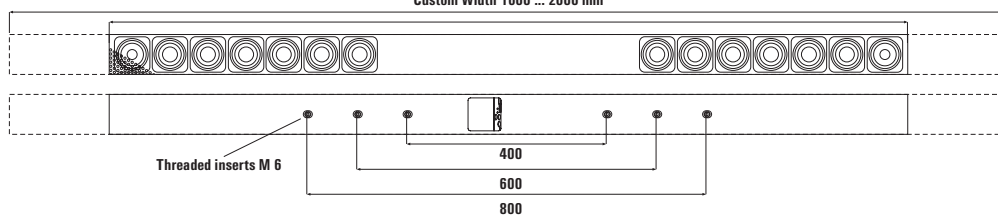
SB-A 2.2 Standard



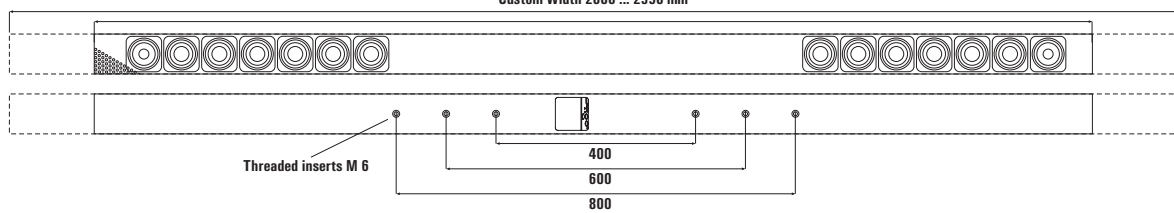
SB-A 2.2-1600



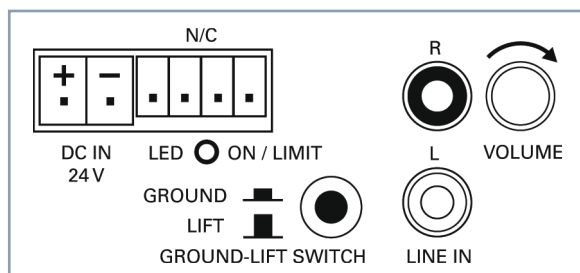
SB-A 2.2-2000



SB-A 2.2-2350

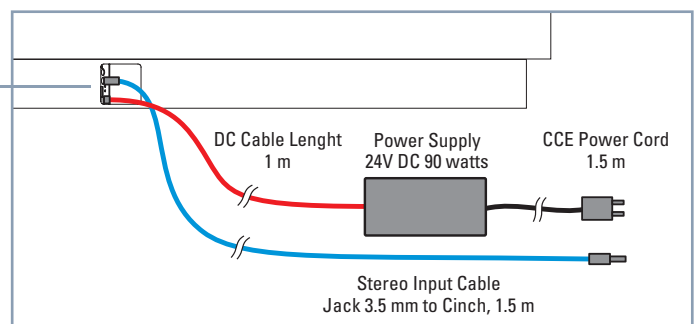


Speaker Connection



Connecting Terminal SB-A 2.0 / SB-A 2.0 CAM(+)

Backview



6. Mounts for Soundbars

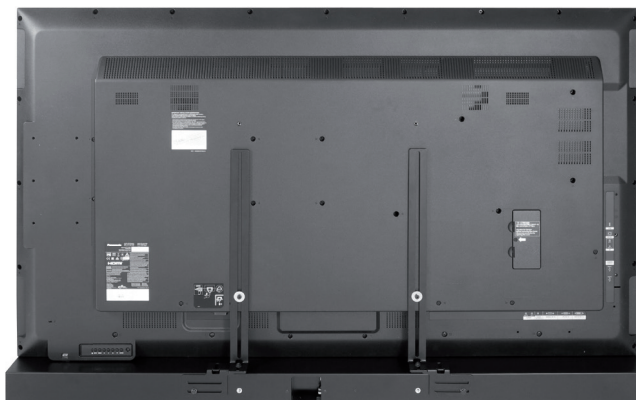
6.1. SB-VESA Technical Data

The SB-VESA universal-mount is designed for fixing our soundbars on displays with VESA-(Pattern)-Points at rear. For alignment to various displays the mounts are adjustable in wide limits.

Modell

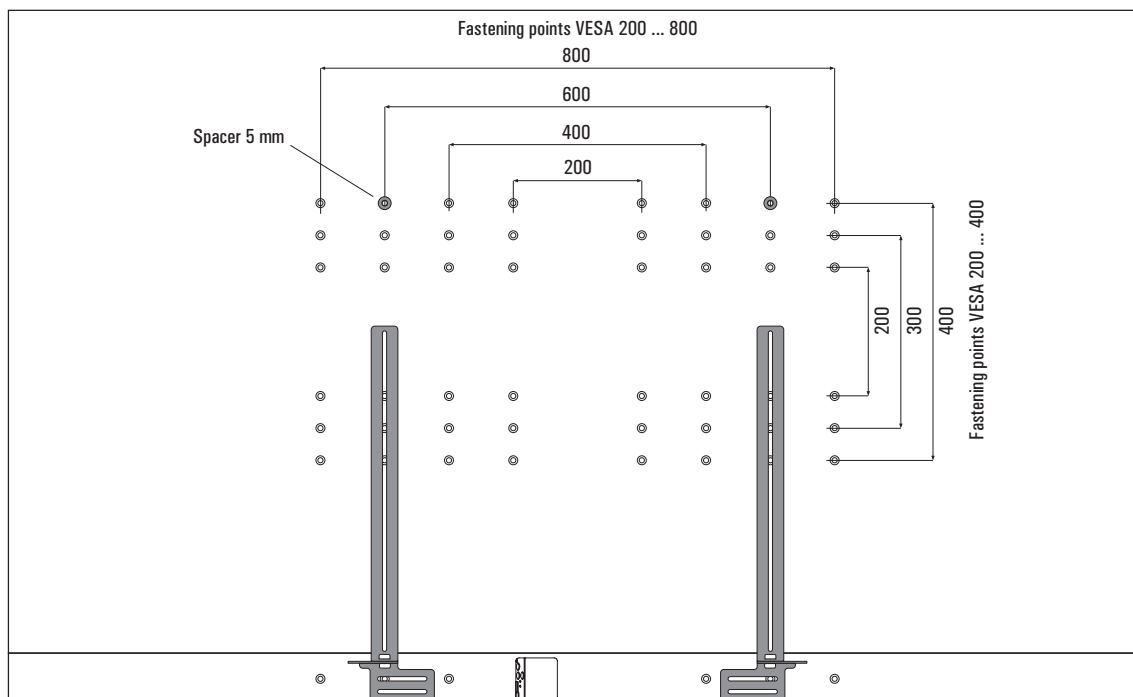
SB-VESA

VESA-Halterung für
approx. 40"–100" inches



Backview: Soundbar mounted on display with SB-VESA.

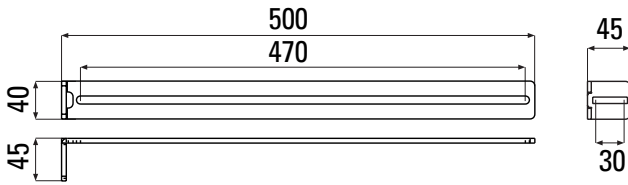
SB-VESA Display Fastening Points



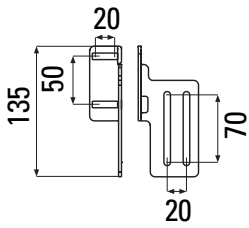
The mounts are suitable for all standard VESA-points.

Dimensions

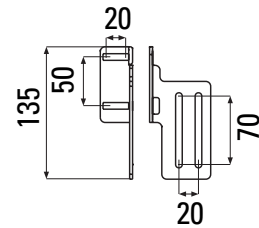
L-bracket



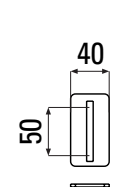
T-bracket left



T-bracket right



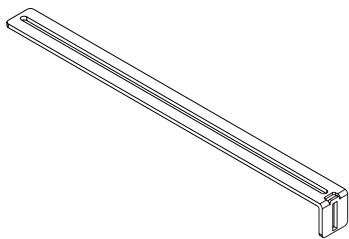
Extension



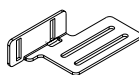
Parts of SB-VESA Mount

The parts of the SB-VESA mount can be used different, depending on the dimensions of display and speaker model (see page 26 – 29).

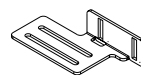
2 × L-bracket



1 × T-bracket left



1 × T-bracket right



2 × Extension



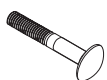
6 × Hexagon screw M 6 × 16



4 × Carriage screw M 6 × 16



2 × Carriage screw M 6 × 40



10 × Belleville washer M 6



4 × Nut M 6



2 × Spacer 20 × 5



2 × Spacer 20 × 20

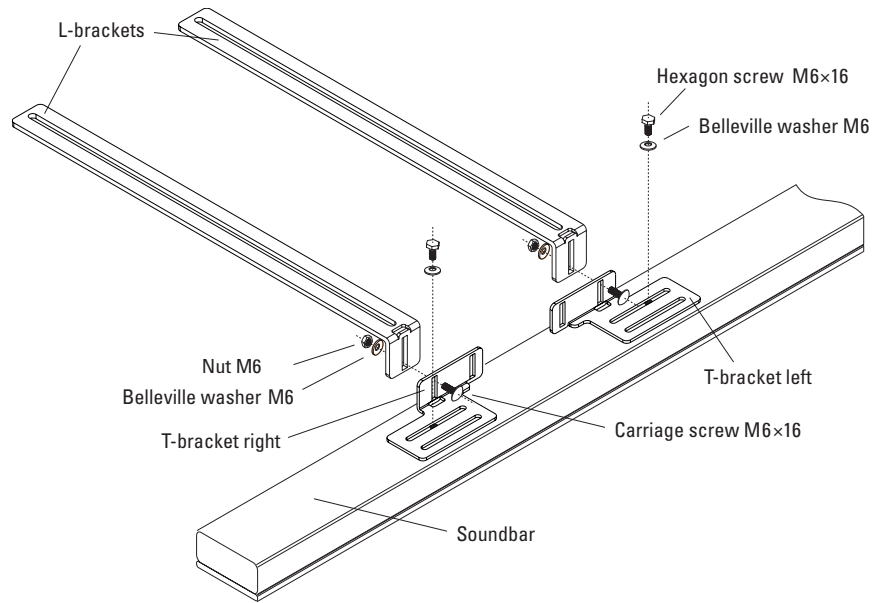


6.2. SB-VESA Assembly with SB-A 2.0 / SB-A 2.0 CAM (+)

Variante A

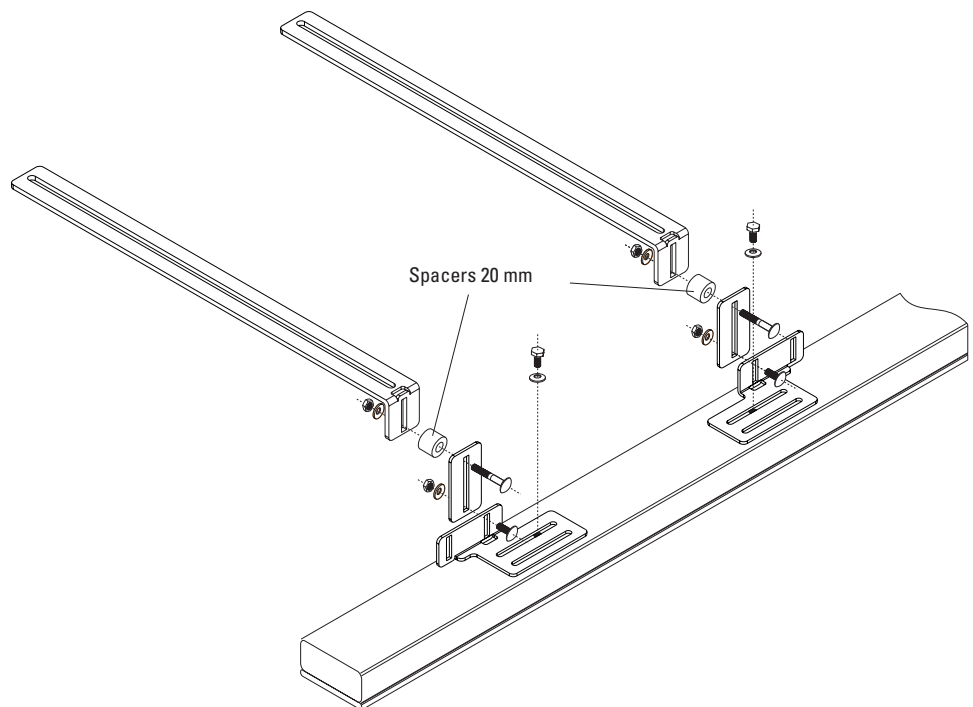
For 200 – 400 mm VESA standard mounts.

Attach the T-shaped brackets directly to the L-shaped brackets; position the T-brackets symmetrically, with the baseplates facing outwards. The L-shaped brackets can be attached forwards or backwards depending on the depth.



Variante B

When the upper ends from L-brackets are coincident with the upper VESA-points from display, use the 20 mm spacers between L-brackets and T-brackets.

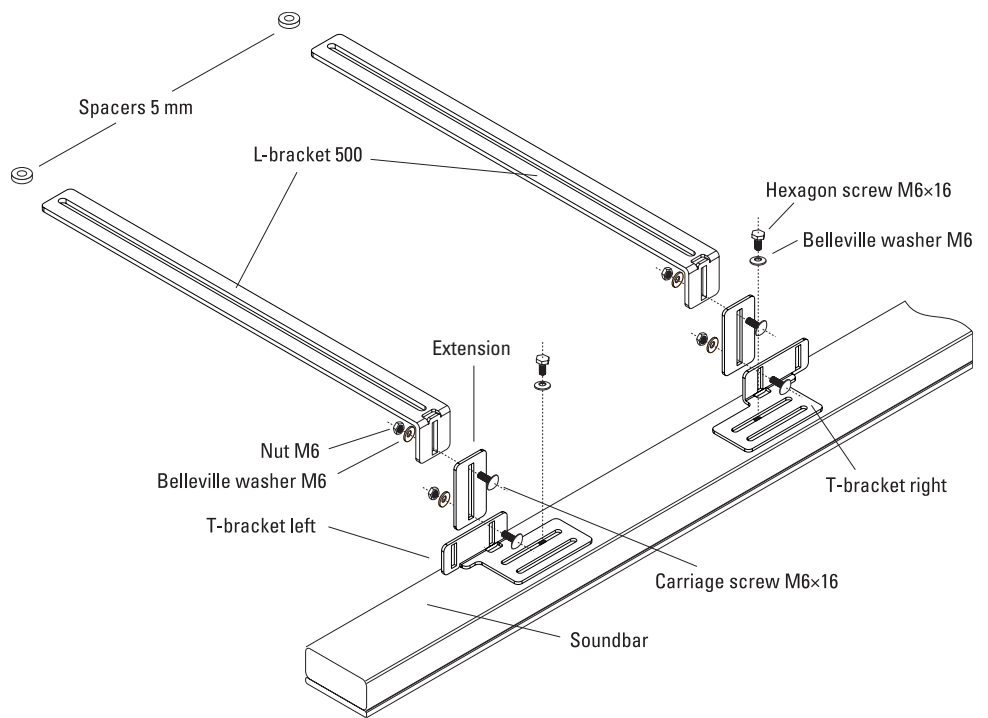


6.2. SB-VESA Assembly with SB-A 2.0 / SB-A 2.0 CAM (+)

Variante C

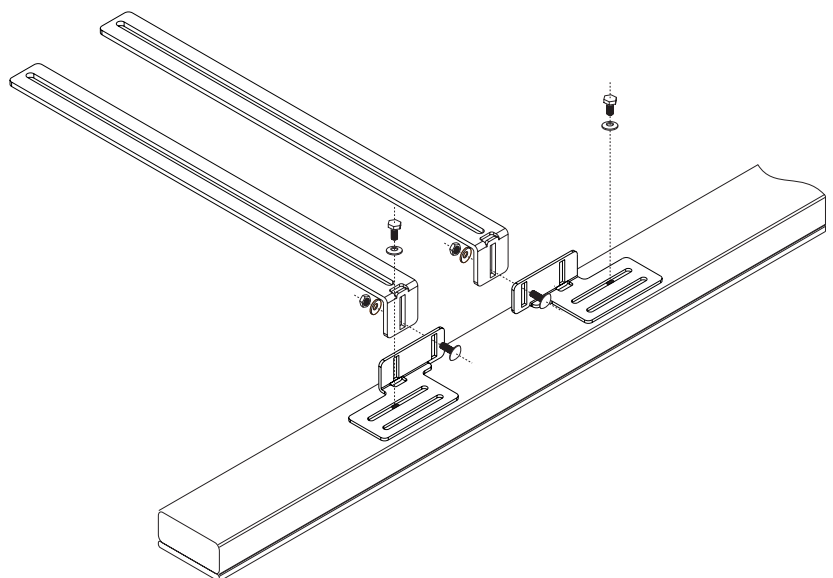
Spacers for the upper VESA points in combination with larger displays.

For larger displays attach the L-brackets only to the lower VESA-points. To compensate for the gap, use the 5 mm spacers for the upper VESA-points.



Variante D

For VESA standard mounts under 200 mm.

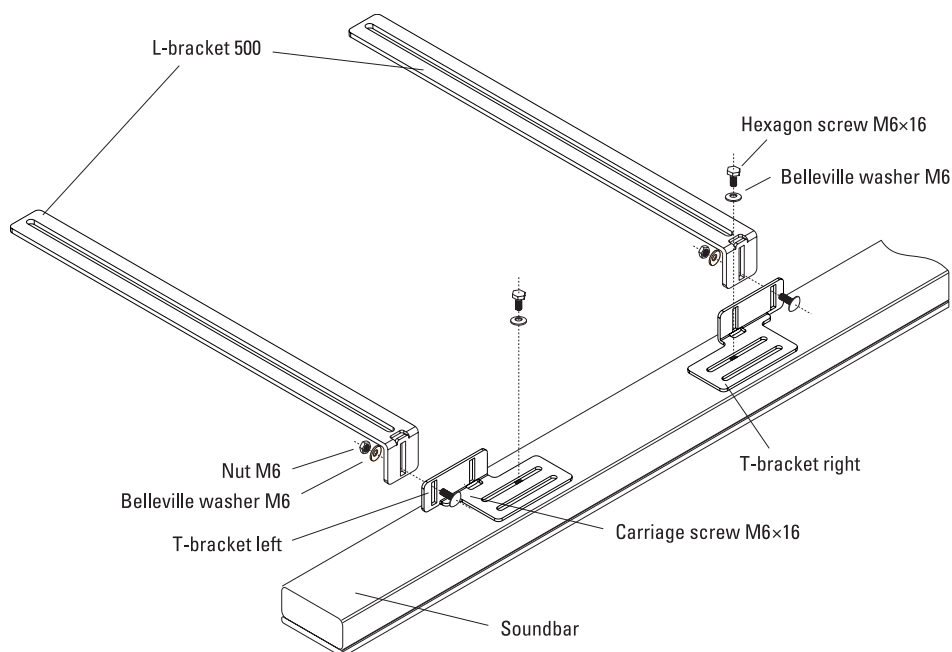


6.2. SB-VESA Assembly with SB-A 2.0 / SB-A 2.0 CAM (+)

Variante E

For a VESA standard mounts over 600 mm.

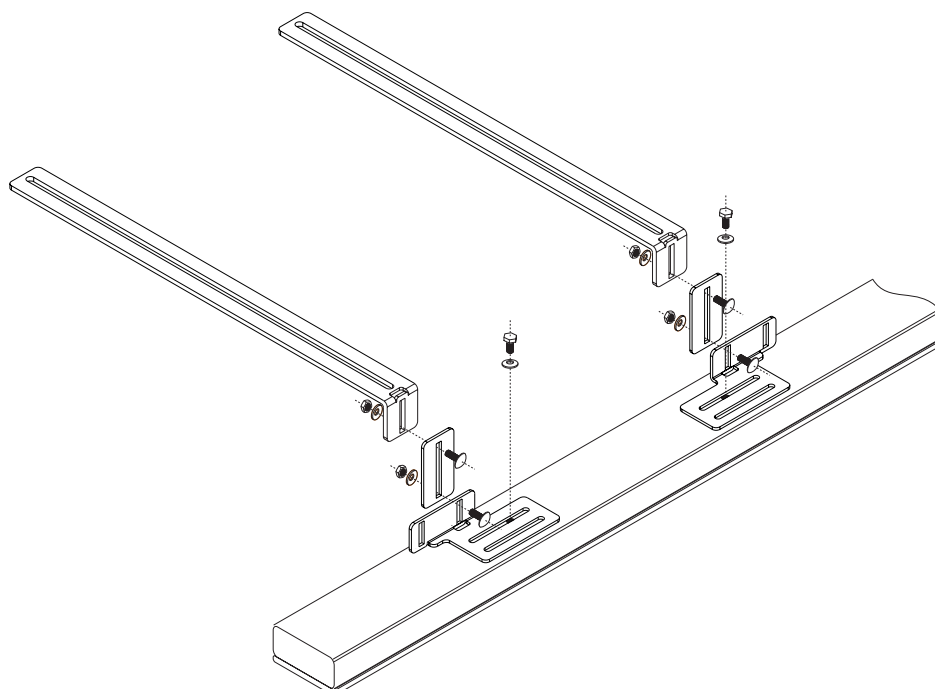
Attach the T-brackets directly to the L-brackets; position the T-brackets symmetrically with the baseplates facing inwards. The L-brackets can be attached forwards or backwards depending on the depth of the display.



Variante F

For deep displays.

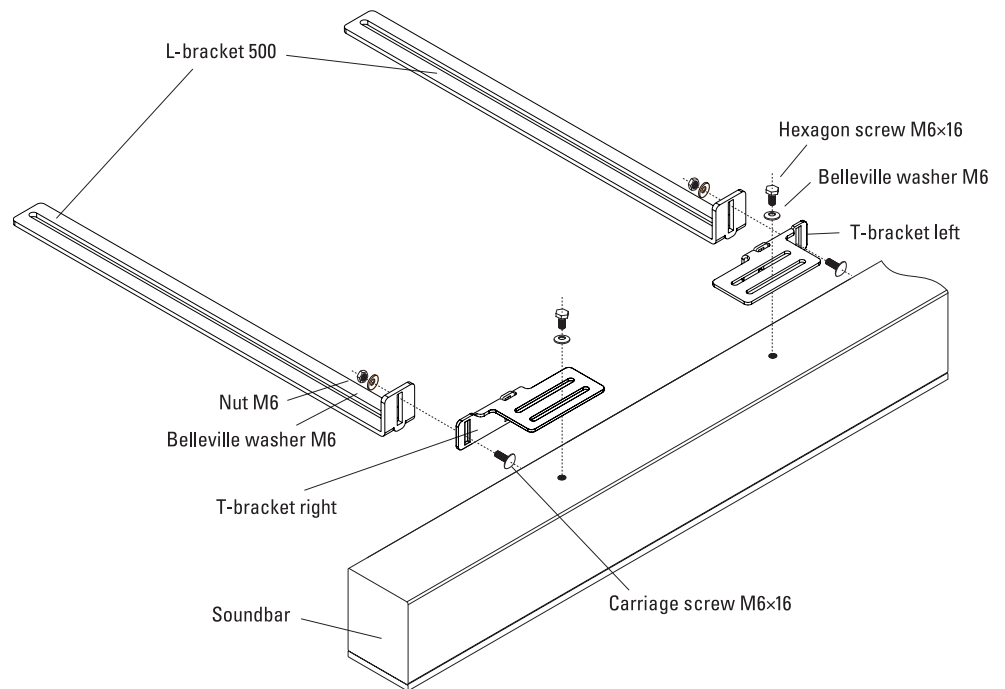
Attach the extension between T-brackets and L-brackets to compensate for the gap.



6.2. SB-VESA Assembly with SB-A 2.2

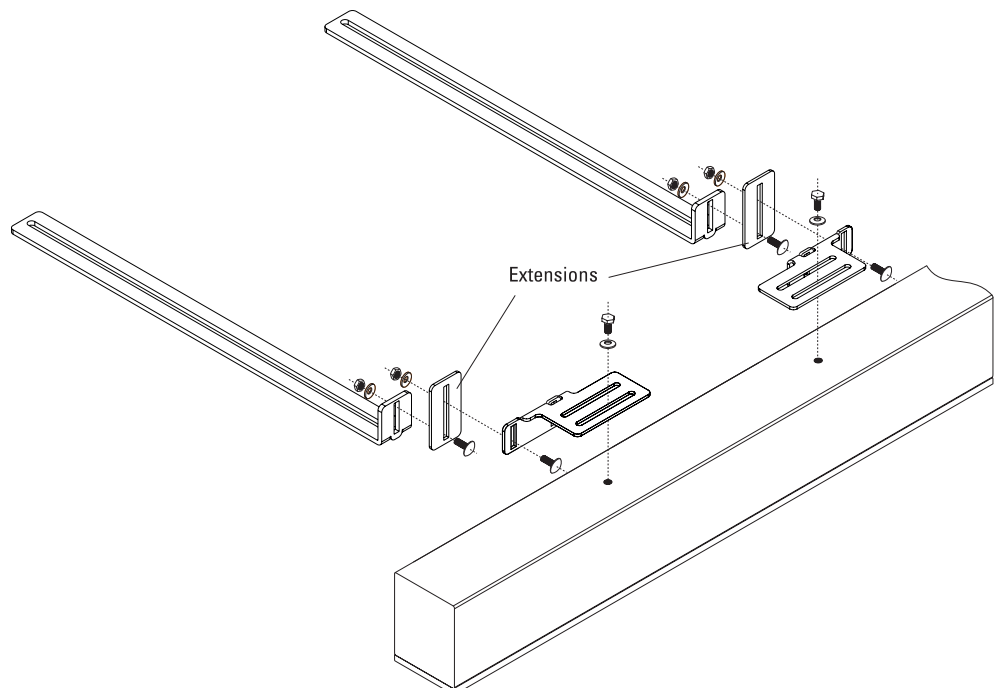
Variante G

For flat displays used with deep SB-A 2.2 soundbars, the T-brackets are mounted facing forwards to compensate for the gap.



Variante H

If you need extra length, use extension plates between the T-brackets and the L-brackets.

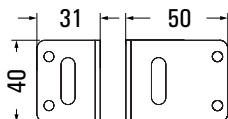


6.3. WH 80 Wall-Mount Technical Data

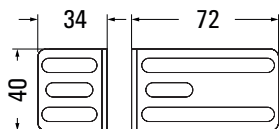
The wall mount WH 80 is adjustable for a wall distance from 35 up to 110 mm (one pair is needed per sounbar).

Dimensions

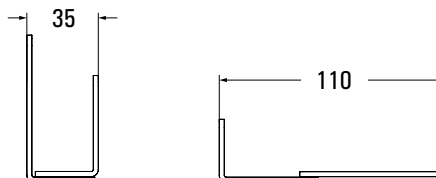
L-bracket A



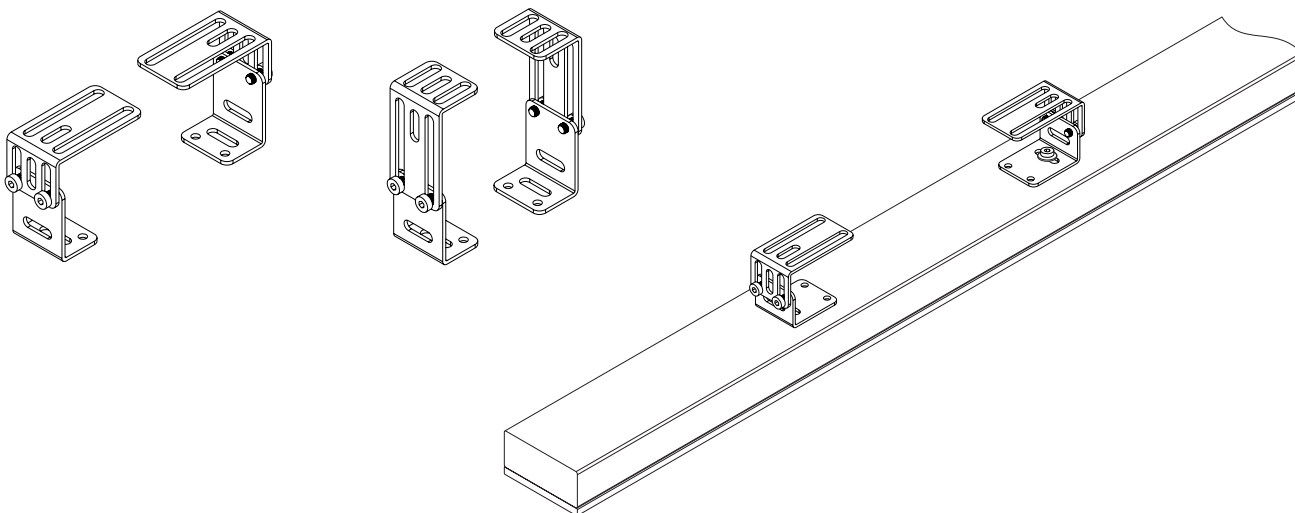
L-bracket B



wall distance from 35 up to 110 mm



6.4. WH 80 Wall-Mount Assembly



Fix the L-brackets A with the provided screws at the rear of the speaker (hexagon screws M 6 × 16 + belleville washers).

Fix the L-brackets B on the wall.

Connect the L-brackets A with the L-brackets B. (hexagon screws M 6 × 10 + belleville washers).

7. Model Overview

Models/ Customized Versions	Principle	Components	Frequency range	Amplifier output/ Impedance/Power RMS	Sensitivity	Dimensions	Weight	Fastening points	Connectors	Mains connection	Power supply
DL-A 2.0 Standard DL-A 2.0-900 DL-A 2.0-1200 DL-A 2.0-1600	Active stereo speaker pair with class-D amplifier and DSP	2 × 2.5" full-range drivers + 2 × 2.5" woofers + 4 × 2.5" passive radiators	55 Hz – 20 kHz	2 × 50 W	max. 109 dB (1 W/1m)	80 × 700 × 48 mm (per speaker) Height 600 - 900 mm Height 900 - 1200 mm Height 1200 - 1600 mm	6 kg (pair)	Threaded inserts 2 × M 6 at rear (per speaker)	Input cinch stereo incl. 1.5 m cable mini jack 3.5 mm to cinch, pluggable system terminals to passive speaker and extern power supply	90 – 240 VAC	Extern power supply 24 VDC
DL-A 2.2 Standard DL-A 2.2-900 DL-A 2.2-1200 DL-A 2.2-1600	Active stereo speaker pair with class-D amplifier, DSP, sub-woofers	2 × 2.5" full-range drivers + 6 × 2.5" woofers + 12 × 2.5" passive radiators	42 Hz – 20 kHz	2 × 50 W + 2 × 100 W	max. 112 dB (1 W/1m)	80 × 700 × 103 mm (per speaker) Height 600 - 900 mm Height 900 - 1200 mm Height 1200 - 1600 mm	9 kg (pair)	Threaded inserts 2 × M 6 at rear (per speaker)	Input cinch stereo incl. 1.5 m cable mini jack 3.5 mm to cinch, pluggable system terminals to passive speaker and extern power supply	90 – 240 VAC	Extern power supply 24 VDC
SB-A 2.0 Standard SB-A 2.0-1200 SB-A 2.0-1600 SB-A 2.0-2000 SB-A 2.0-2350	Active stereo soundbar, class-D amplifier, DSP	2 × 2.5" full-range drivers + 2 × 2.5" woofers + 3 × 2.5" passive radiators (from 1200 mm 4 × 2.5" passive radiators)	55 Hz – 20 kHz	2 × 50 W	max. 109 dB (1 W/1m)	960 × 80 × 48 mm Width 960 - 1200 mm Width 1200 - 1600 mm Width 1600 - 2000 mm Width 2000 - 2350 mm	5 kg	Threaded inserts 4 × M 6 at rear	Input cinch stereo incl. 1.5 m cable mini jack 3.5 mm to cinch, pluggable system terminals to extern power supply	90 – 240 VAC	Extern power supply 24 VDC
SB-A 2.0 CAM(+) Standard SB-A 2.0 CAM(+)-1200 SB-A 2.0 CAM(+)-1600 SB-A 2.0 CAM(+)-2000	Active stereo soundbar, integrated camera or camera + microphone-array	2 × 2.5" full-range drivers + 2 × 2.5" woofers + 3 × 2.5" passive radiators (from 1200 mm 4 × 2.5" passive radiators)	55 Hz – 20 kHz	2 × 50 W	max. 109 dB (1 W/1m)	960 × 80 × 48 mm Width 960 - 1200 mm Width 1200 - 1600 mm Width 1600 - 2000 mm	5 kg	Threaded inserts 4 × M 6 at rear	Camera + micro: USB 3 incl. 2 m cabel, input cinch stereo incl. 1.5 m cable mini jack 3.5 mm to cinch, pluggable system terminals to extern power supply	90 – 240 VAC	Extern power supply 24 VDC
SB-A 2.2 Standard SB-A 2.2-1600 SB-A 2.2-2000 SB-A 2.2-2350	Active stereo soundbar, class-D amplifier, DSP, sub-woofers	2 × 2.5" full-range drivers + 5 × 2.5" woofers + 5 × 2.5" passive radiators (from 1600 mm 6 × 2.5" passive radiators)	42 Hz – 20 kHz	2 × 50 W + 2 × 100 W	max. 112 dB (1 W/1m)	1200 × 80 × 103 mm Width 1200 - 1600 mm Width 1600 - 2000 mm Width 2000 - 2350 mm	8 kg	Threaded inserts 6 × M 6 at rear	Input cinch stereo incl. 1.5 m cable mini jack 3.5 mm to cinch, pluggable system terminals to extern power supply	90 – 240 VAC	Extern power supply 24 VDC



**LB Lautsprecher
und Beschallungstechnik GmbH**

info@lb-lautsprecher.de
www.lb-lautsprecher.de
Steinerstr. 15 K · 81369 München
Tel +49 89 1893109-0 · Fax -29

Back: GE Additive, Garching / Medienräume
Titel: MX1, München / Konferenzräume

Errors and omissions excepted.

01.08.2021

© LB Lautsprecher und Beschallungstechnik
GmbH