



SUB 40 A FLEX / SUB 40 A FLEX DANTE Active In-Wall Subwoofer with flexible Sound Outlet

Description

The SUB 40 A FLEX is a compact, active in-wall subwoofer featuring DSP, 400 watts of amplifier power, and flexible sound outlet. The subwoofer is installed discreetly within furniture, hollow walls, or ceilings and configured using our **LB CONTROL App**. The SUB 40 A FLEX DANTE model is additionally equipped with a DANTE input. Only the sound outlet is visible.

For wall/ceiling installation, round and square sound outlet elements matching our DE 170 (Q) or DE-X 170 (Q) in-wall speakers, including front grilles, are available. For installation in baseboards, we recommend the flat FO 240 sound outlet element, which can be covered.

The SUB 40 A FLEX is equipped with two heavy-duty 6.5" long excursion drivers and has a linear frequency response of 37 ... 120 Hz (-3 dB).

The standard pipe length is 700 mm. However, it may be between 350 mm and 1200 mm. Four M8 threaded inserts and the included MB 73 brackets are provided for mounting.

Key Features

- Active in-wall subwoofer with flexible sound outlet
- Compact design
- 2 x 6.5" long excursion drivers
- 400 watts amplifier power
- XLR and Cinch Inputs
- Configuration with LB CONTROL App
- Controlling and monitoring via network commands
- SUB 40 A FLEX DANTE with Dante Interface
- Incl. mounting brackets MB 73
- Optional: Sound outlet elements for wall/ceiling installation with DE 170 (Q) or DE-X 170 (Q) frame + front grille
- Optional: flat sound outlet with 240 x 50 mm opening for base mounting

Einsatzbereiche

- Home audio
- Surround systems
- Media rooms
- Conference rooms
- Gastronomy, hotels

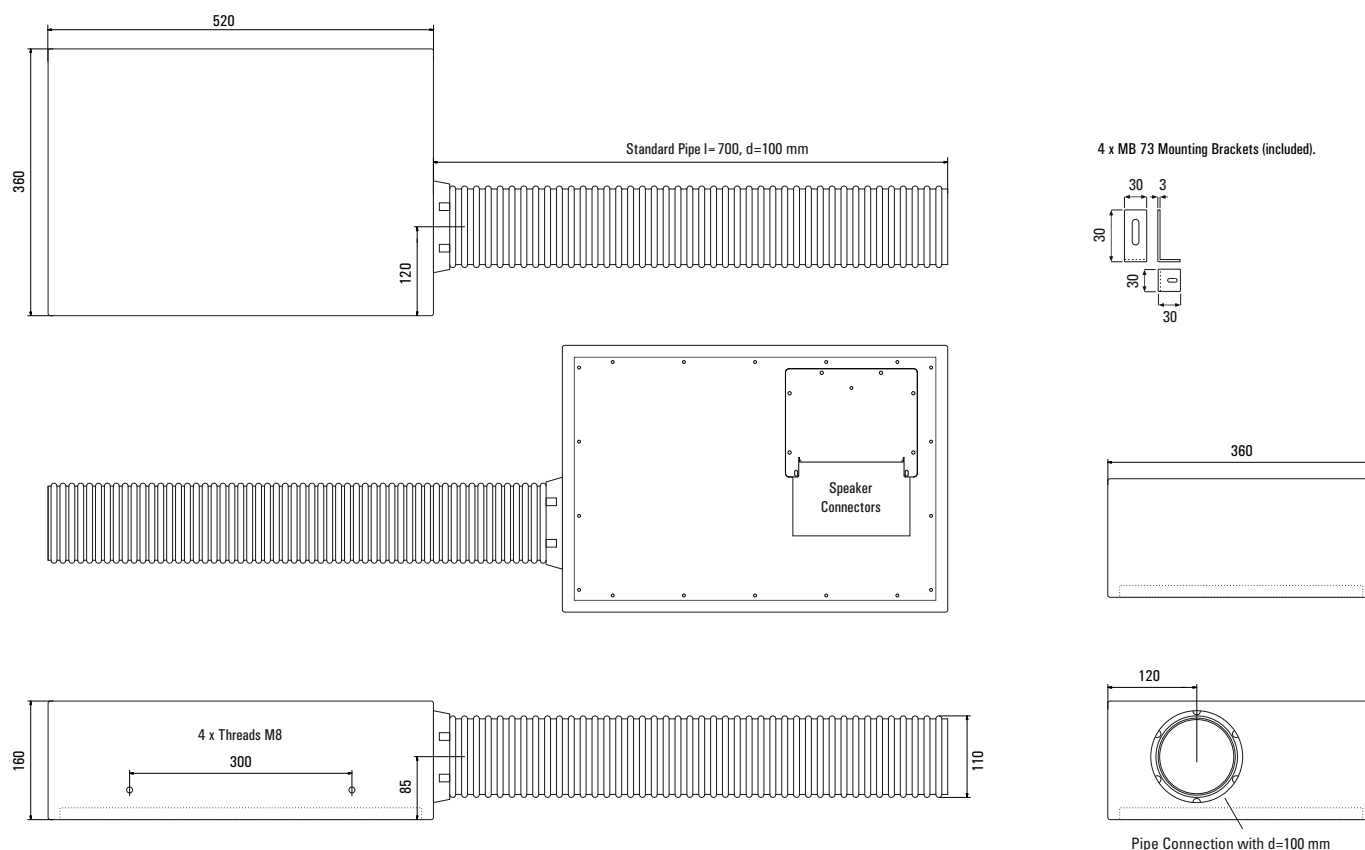


Terminal
SUB 40 A FLEX /
SUB 40 A FLEX DANTE

SUB 40 A FLEX / SUB 40 A FLEX DANTE

Active In-Wall Subwoofer with flexible Sound Outlet

Dimensions



Technical Data

Principle	Active in-wall subwoofer with sound outlet via a flexible tube
Components	2 x 6.5" long excursion drivers
Frequency range	32...150 Hz, 37 ... 120 Hz (-3 dB)
Sound pressure	max. 114 dB (Half space)
Dispersion angle (H x V)	360°
Nominal input level	Line In analog +4 dBU sym., digital 0 dBFS
Max. input level	+ 17 dBU sym.
Input impedance	10 kOhms
Amplifier power	400 watts
Dynamic range	> 105 dB
Software	LB CONTROL App
DSP	32 Bit, 48 kHz
Latency	1,2 ms
DSP Functions	10 parametric filters at the input, High-pass, Low-pass, Compressor Limiter, Delay, Multiband-Limiter, 40 Presets, Auto On/Off (Sleep Mode)
Max. Delay (Input)	600 ms (204 m)

Controls	DIP-Switch for Groundlift and Steady ON, Mains Connector
Network Commands	On/Off, Gain, Mute, Presets, Level, Status query
Dimensions (W x H x D)	520 x 360 x 160 (without tube)
Dimensions Tube	d=110 mm, Length = 700 mm It may be between 350 mm and 1200 mm
Weight	13 kg
Cabinet	MDF Black, clear-coated
Suspension points	4 x M8 threaded inserts on the back
Connections	XLR Input, Cinch Input, 2 x Ethernet for DANTE and DSP, power connector (lockable)
Power supply	90 ... 260 V AC 50/60 Hz
Heat emission	max. 409 BTU/h
Power consumption	SUB 40 A FLEX / SUB 40 A FLEX DANTE
Standby	2 watts
Idle	10,7/11,7 watts
Max. power consumption	120 watts
Peak power	380 watts
Warranty	5 years

SUB 40 A FLEX / SUB 40 A FLEX DANTE

Active In-Wall Subwoofer with flexible Sound Outlet

Model	Order-No.	Version	Accessories	Order-No.	Version
SUB 40 A FLEX	1350-0002	MDF Black	PO 170 White	1350-0004	RAL 9016
SUB 40 A FLEX DANTE	1350-0003	MDF Black	PO 170 Black	1350-0005	RAL 9005
			PO 170 Q White	1350-0006	RAL 9016
			PO 170 Q Black	1350-0007	RAL 9005
			PO-X 170 White	1350-0008	RAL 9016
			PO-X 170 Black	1350-0009	RAL 9005
			PO-X 170 Q White	1350-0010	RAL 9016
			PO-X 170 Q Black	1350-0011	RAL 9005
			PO 240 Black	1350-0012	RAL 9005

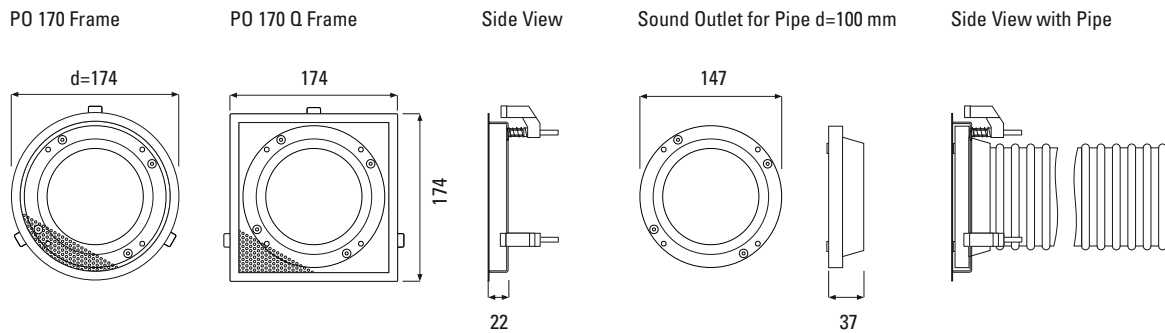
Other colours and models on request



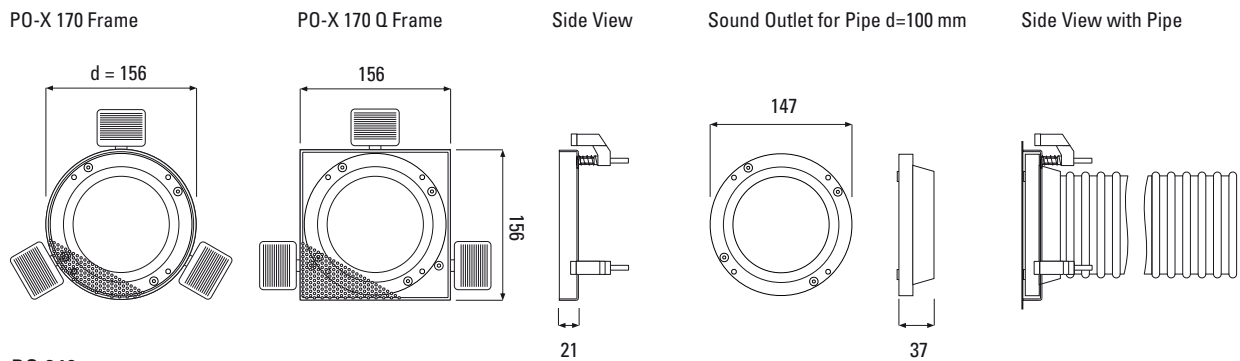
PO 240
Flat sound outlet for SUB 40 FLEX

Dimensions Sound Outlets

PO 170 / PO 170 Q In Wall / in Ceiling Sound Outlet for SUB 40 FLEX with DE 170 / DE 70 Q Frame + Grille

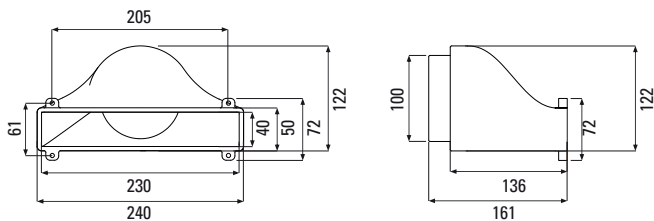


PO-X 170 / PO-X 170 Q Trimless in Wall / in Ceiling Sound Outlet for SUB 40 FLEX with DE-X 170 / DE-X 170 Q Frame + Grille



PO 240 Sound Outlet for SUB 40 FLEX

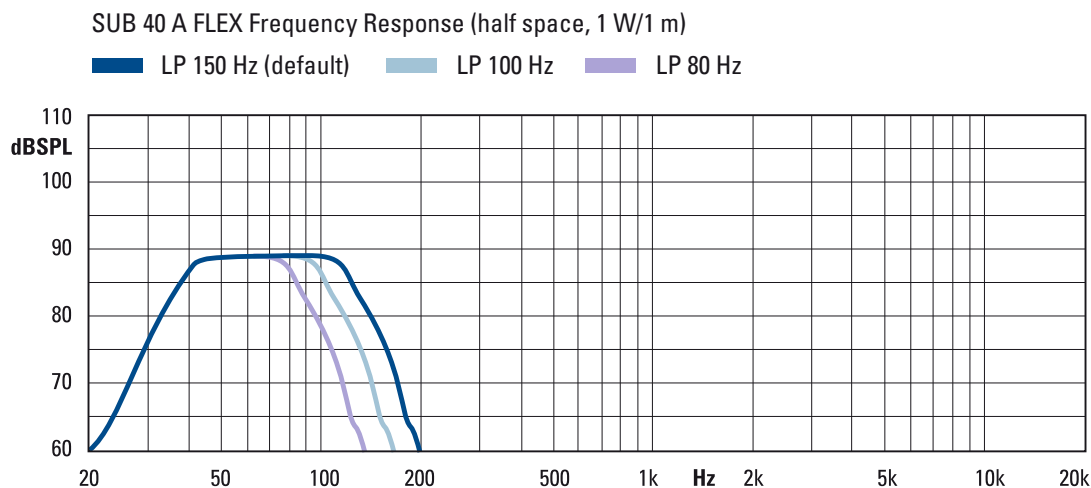
Pipe Outlet 230 x 40 mm for Tube d=100 mm



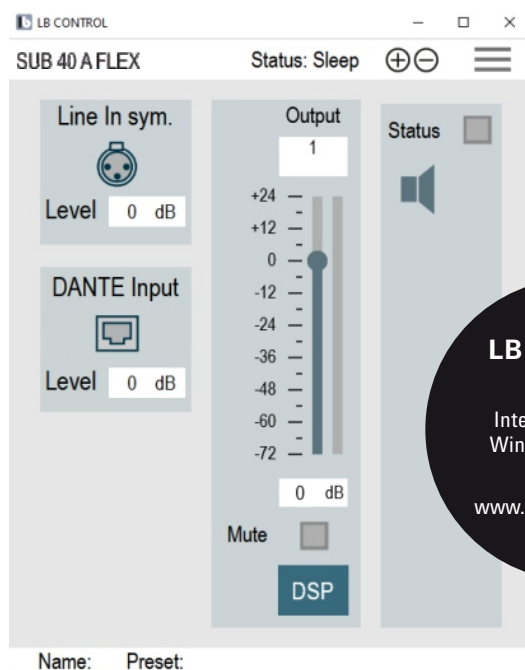
SUB 40 A FLEX / SUB 40 A FLEX DANTE

Active In-Wall Subwoofer with flexible Sound Outlet

Frequency Diagram (Half Space)



LB CONTROL App



The SUB 40 A FLEX / SUB 40 A FLEX DANTE is configured using our **LB CONTROL App**. Network settings, lock functions, presets and audio settings (parametric EQs, delays, compressor and limiter) can be edited here. (Download on our website)

The SUB 40 A FLEX / SUB 40 A FLEX DANTE can be controlled and monitored via network commands. You can find the list of network commands in the operating instructions for our LB CONTROL App.



LB CONTROL App
Download Software