



SUB 40 FLEX

In-Wall Subwoofer with flexible Sound Outlet

Description

The SUB 40 FLEX is a compact in-wall subwoofer with flexible sound outlet. The subwoofer can be discreetly installed in furniture, hollow walls or ceilings. Only the sound outlet is visible. For wall/ceiling installation, round and square sound outlet elements matching our DE 170 (Q) or DE-X 170 (Q) in-wall speakers, including front grilles, are available. For installation in baseboards, we recommend the flat FO 240 sound outlet element, which can be covered with a perforated panel. The SUB 40 FLEX is equipped with two heavy-duty 6.5-inch long excursion drivers. For optimal performance and operational reliability, the SUB 40 FLEX should be operated with our DSP power amplifiers and the corresponding speaker preset. It offers a linear frequency response of 37 ... 120 Hz (-3 dB) and a power capacity of 400 watts. The standard pipe length is 700 mm. However, it may be between 350 mm and 1200 mm. Four M8 threaded inserts and the included MB 73 brackets are provided for mounting.

Key Features

- In-wall subwoofer with flexible sound outlet
- Compact design
- 2 x 6,5" long excursion drivers
- Power capacity 400 watts
- Inkl. mounting brackets MB 73
- Optional: Sound outlet elements for wall/ceiling installation with DE 170 (Q) or DE-X 170 (Q) frame + front grille
- Optional: flat sound outlet with 240 x 50 mm opening for base mounting

Einsatzbereiche

- Home audio
- Surround systems
- Media rooms
- Conference rooms
- Gastronomy, hotels

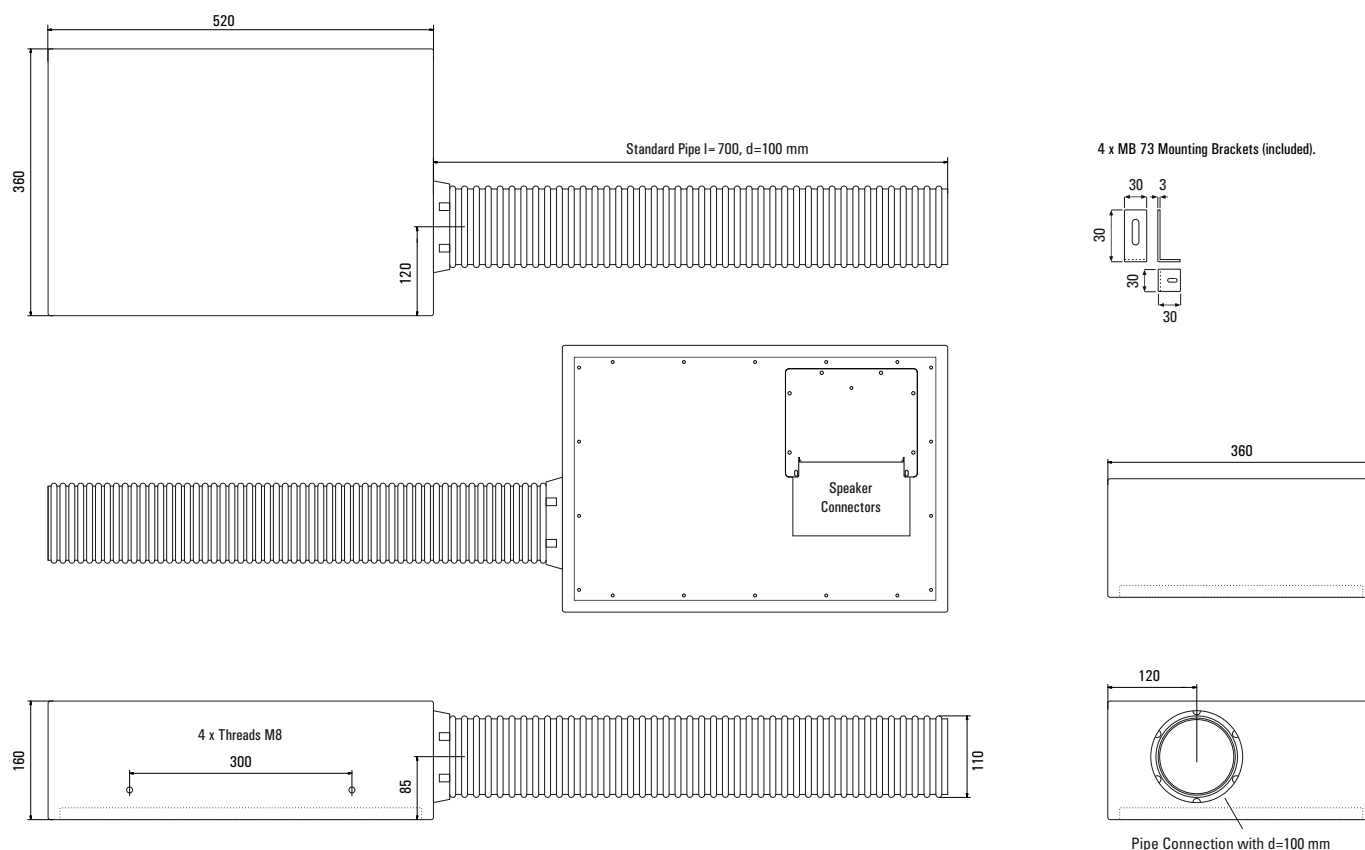


Terminal
SUB 40 FLEX

SUB 40 FLEX

In-Wall Subwoofer with flexible Sound Outlet

Dimensions



Technical Data

Principle	In-wall subwoofer with flexible sound outlet
Components	2 x 6.5" long excursion drivers
Frequency range	32...150 Hz, 37 ... 120 Hz (-3 dB)
Impedance	8 ohms
Power capacity	RMS 200 watts, 400 watts program (only with LB amplifiers and Speaker-Preset)
Sound pressure	89 dB (1W/1m), max. 114 dB (Half space)
Dimensions (W x H x D)	520 x 360 x 160 (without tube)
Weight	13 kg
Cabinet	MDF Black, clear-coated
Connections	2 x Speakon and Screw-type terminals, pluggable
Warranty	5 years

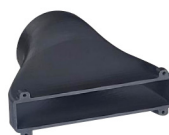
Model

Model	Order-No.	Version
SUB 40 FLEX	1350-0001	MDF Black

Accessories

Accessories	Order-No.	Version
PO 170 White	1350-0004	RAL 9016
PO 170 Black	1350-0005	RAL 9005
PO 170 Q White	1350-0006	RAL 9016
PO 170 Q Black	1350-0007	RAL 9005
PO-X 170 White	1350-0008	RAL 9016
PO-X 170 Black	1350-0009	RAL 9005
PO-X 170 Q White	1350-0010	RAL 9016
PO-X 170 Q Black	1350-0011	RAL 9005
PO 240 Black	1350-0012	RAL 9005

PO 240
Flat sound outlet for SUB 40 FLEX



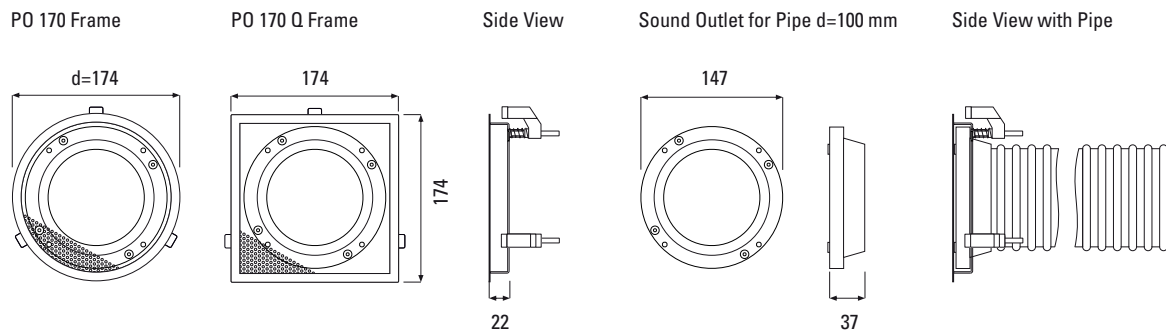
Other colours and models on request

SUB 40 FLEX

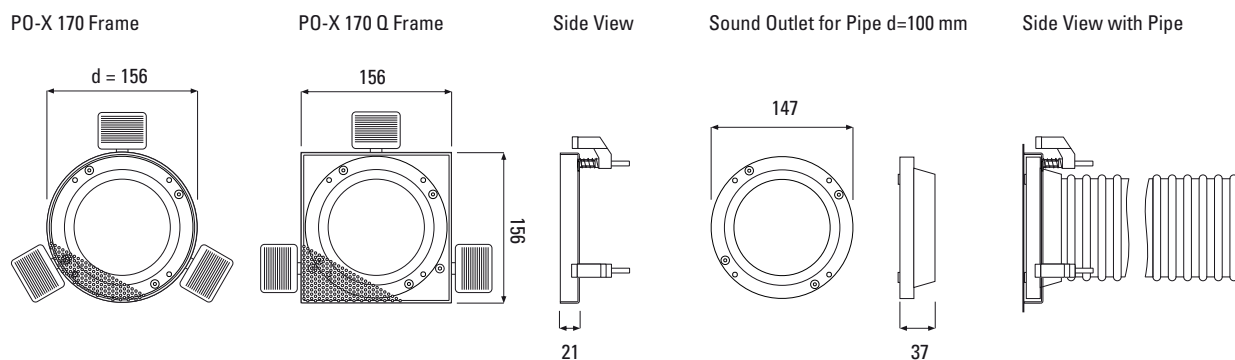
In-Wall Subwoofer with flexible Sound Outlet

Dimensions Sound Outlets

PO 170 / PO 170 Q In Wall / in Ceiling Sound Outlet for SUB 40 FLEX with DE 170 / DE 70 Q Frame + Grille

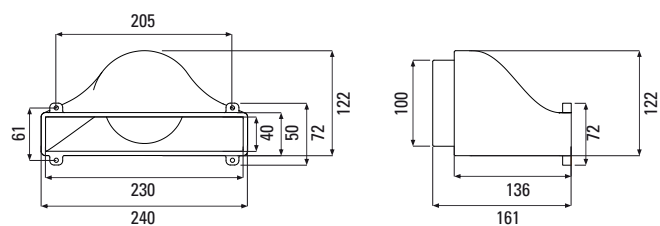


PO-X 170 / PO-X 170 Q Trimless in Wall / in Ceiling Sound Outlet for SUB 40 FLEX with DE-X 170 / DE-X 170 Q Frame + Grille



PO 240 Sound Outlet for SUB 40 FLEX

Pipe Outlet 230 x 40 mm for Tube d=100 mm



Frequency Diagram (Half Space)

